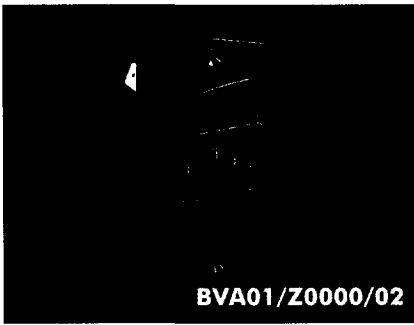
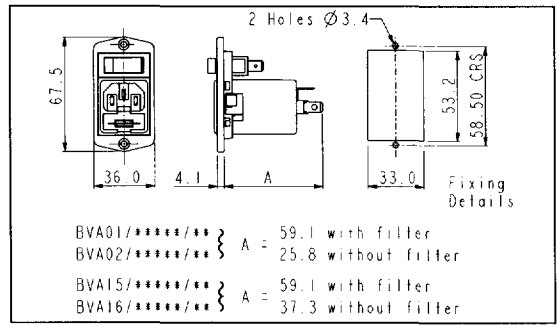


# Polysnap® Power Inlet Modules **B**BULGIN

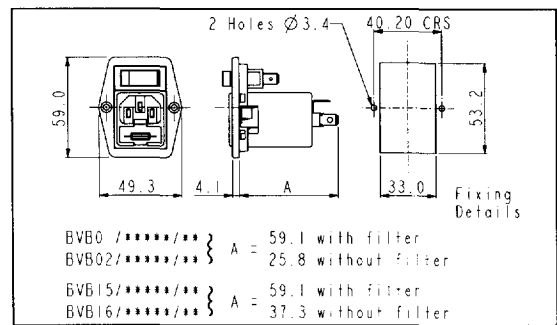
## IEC Fused Inlet - Polyflange



- Screw Fixing to Panel
- Vertical Module Arrangement
- Snap-in Components
- Inlet Variations (with various tag sizes)
- Single Pole Switch Variations
- Filtered Inlet Option
- Options of O/I marked switches
- Fused



- Screw Fixing to Panel
- Vertical Module Arrangement
- Snap-in Components
- Inlet Variations (with various tag sizes)
- Single Pole Switch Variations
- Filtered Inlet Option
- Options of O/I marked switches
- Fused



Polysnap®

### How to Order

**BVx xx / xxxxx / xx**

Flange Type	Type of Inlet / Outlet	Filtered or Non Filtered Inlet	Combination of Other Components
<b>A</b> = Top fixing <b>B</b> = Side fixing	Fused Power Inlet (cold condition), 6.3 or 2.8mm tabs: <b>01</b> = PF0011/63 <b>02</b> = PF0011/28  Twin Fused Power Inlet (cold condition), 6.3 or 2.8mm tabs: <b>15</b> = PF0033/63 <b>16</b> = PF0033/28	Z0000 = Non Filtered Axxxx = Standard Bxxxx = Medical Cxxxx = High Performance Standard (Single Fuse Version only)	Single Pole Switch: <b>01</b> = S.P. Switch  Single Pole Neon Switch: <b>02</b> = S.P. Red Neon Switch <b>08</b> = S.P. Green Neon Switch  Neon Indicator: <b>03</b> = Red Neon Indicator  Single Pole High Inrush Switch: <b>46</b> = S.P. High Inrush Switch  Single Pole Switch Marked O/I: <b>69</b> = S.P. Switch (O/I)  Single Pole Neon Switch Marked (O/I): <b>71</b> = S.P. Red Neon Switch (O/I) <b>74</b> = S.P. Green Neon Switch (O/I)  Single Pole High Inrush Switch Marked (O/I): <b>98</b> = S.P. High Inrush Switch (O/I)

For Filtered inlet use 6th to 9th characters from filter ordering code see pages 71-74.  
  
 E.g. BVA01/**A0620**/01

**Note: For technical details of individual components please see page 54**