

Crystal Oscillator

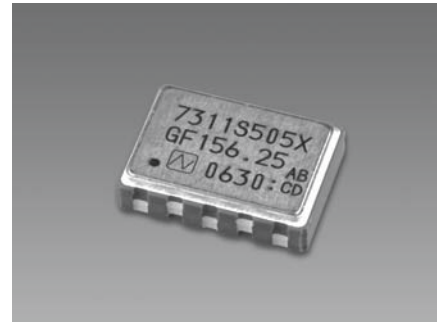
Model Name 7311S-GG Simple Packaged Crystal Oscillator (SPXO) 7300 Series

Main Application

For SONET-, SDH-, and GbEthernet-related equipment

Features

- Power supply voltage is 2.5 V, LVDS output level.
- Output frequency range are 62.5 to 220 MHz.
- Ultra-compact with dimensions of 7.0 x 5.0 x 1.7 mm.
- A surface-mount crystal oscillator.



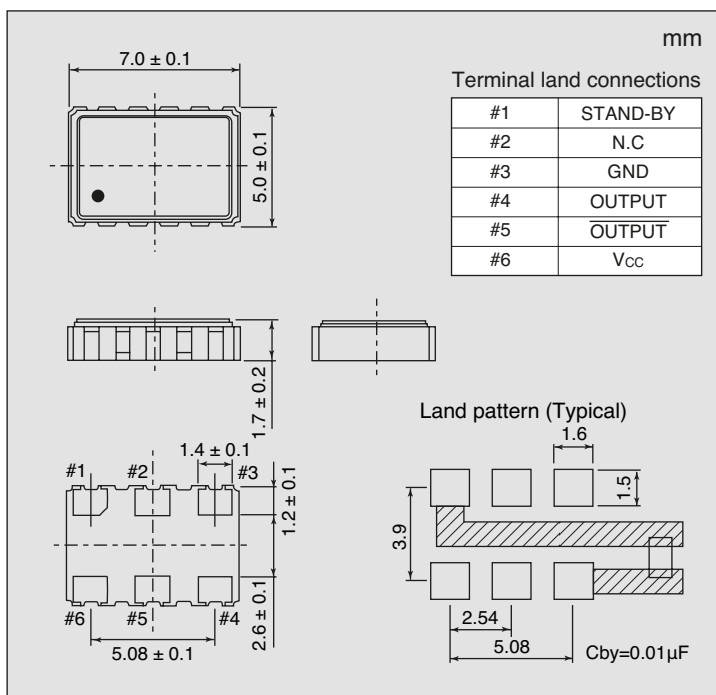
Pb Free

RoHS Compliant
Directive 2002/95/EC

Specifications

Item	Model Classification		7311S				
	GG-255R	GG-505X	GG-104X	GG-505P	GG-104P		
Nominal frequency range (MHz)	62.5 to 220						
Supply voltage [Vcc] (V)	+2.5 ± 5 %						
Load resistance	100 Ω (Pad #4 - #5)						
Current consumption	During operation		Max. 60 mA (Typ. 43 mA)				
	During standby		Max. 30 μA				
Output level	LVDS level (Complementary)						
Operating temperature range	0 to +70°C	0 to +85°C		-40 to +85°C			
Frequency tolerance	Max. ±25×10 ⁻⁶	Max. ±50 ×10 ⁻⁶	Max. ±100 ×10 ⁻⁶	Max. ±50 ×10 ⁻⁶	Max. ±100 ×10 ⁻⁶		
Symmetry	40 % to 60 % (at 50% Waveform)						
Phase jitter (RMS)	Max. 1ps (12 kHz to 20 MHz)						
Stand-by function (tristate)	Available						
Number for specifying an order	NSA3344D	NSA3345D	NSA3346D	NSA3345M	NSA3346M		

Dimensions



Standby Function Table (Tristate)

#1 Input	#4 and #5 output
Level H ($V_{IH} \geq 0.7 V_{CC}$) or OPEN	Oscillation output ON
Level L ($V_{IL} \leq 0.3 V_{CC}$)	High impedance

How to Specify an Order

Model name	-	Frequency (up to 8 digits)	M	-	Number for specifying an order
------------	---	----------------------------	---	---	--------------------------------

When ordering +2.5 V, Max. ±100×10⁻⁶/0 to 85 °C, 125 MHz
7311S-GG-104X-125M-NSA3346D

If you have any queries concerning our standard frequencies and numbers for specifying orders, please contact our sales representatives or visit our homepage (<http://www.ndk.com/>).