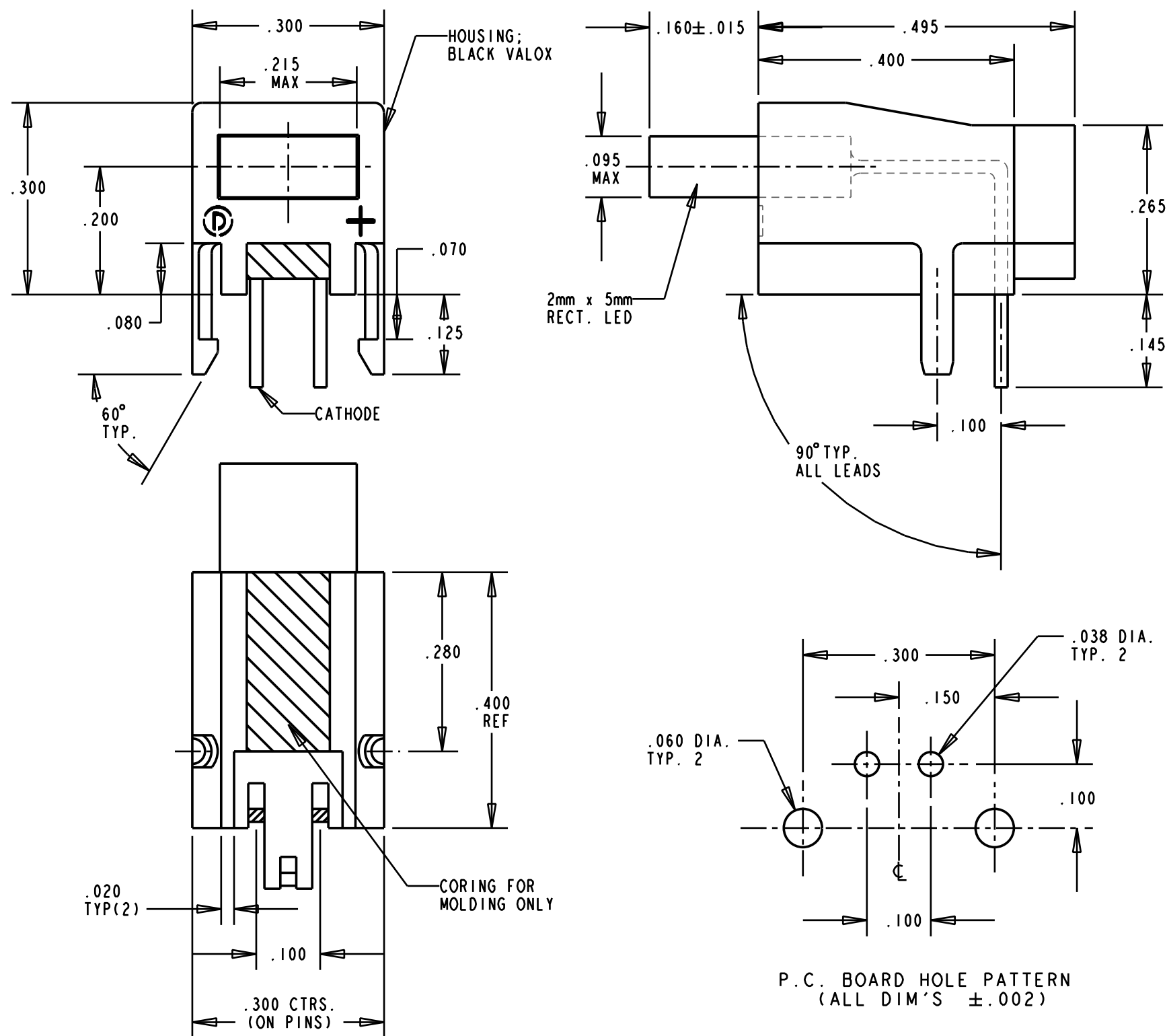


REV.	ECN NO.	REVISIONS	DRN.	CKD.	APP.	DATE
A	—	NEW RELEASE	DC		NO	2-10-98
B	—	DIMENSION .160±.015 WAS .170	JAV			



OPERATING CHARACTERISTICS AT T <sub>A</sub> = 25°C						
PARAMETER	COLOR	MIN.	TYP.	MAX.	UNITS	TEST CONDITION
FORWARD VOLTAGE	GREEN (566-0207)		2.2	3.0	V	I <sub>f</sub> = 20mA
	YELLOW (566-0307)		2.1	2.6		
	RED (566-0407)		2.0	3.0		
REVERSE VOLTAGE	GREEN (566-0207)	5			V	I <sub>R</sub> = 100μA
	YELLOW (566-0307)	5				I <sub>R</sub> = 10μA
	RED (566-0407)	3.0				
PEAK WAVELENGTH	GREEN (566-0207)		565		nm	MEASURE AT PEAK
	YELLOW (566-0307)		583			
	RED (566-0407)		635			
LUMINOUS INTENSITY	GREEN (566-0207)	2.6	4.0		mcd	I <sub>f</sub> = 20mA
	YELLOW (566-0307)	2.2	3.5			
	RED (566-0407)	3.0	6.0			

ABSOLUTE MAXIMUM RATINGS AT T <sub>A</sub> = 25°C			
PARAMETER	COLOR		UNITS
POWER DISSIPATION	GREEN (566-0207)	135	mW
	YELLOW (566-0307)	85	
	RED (566-0407)	60	
CONTINUOUS FORWARD CURRENT	GREEN (566-0207)	30	mA
	YELLOW (566-0307)	20	
	RED (566-0407)	20	
PEAK FORWARD CURRENT	GREEN (566-0207)	90	mA
	YELLOW (566-0307)	60	
	RED (566-0407)	60	
LEAD SOLDERING TEMP. 1/16" FROM BODY	ALL	260°C FOR 5 SECONDS	°C
OPERATING TEMPERATURE	GREEN (566-0207)	-20°/+85°	°C
	YELLOW (566-0307)	-55°/+100°	
	RED (566-0407)	-25°/+85°	
STORAGE TEMPERATURE	GREEN (566-0207)	-55° TO +100°	°C
	YELLOW (566-0307)	-55° TO +100°	
	RED (566-0407)	-30° TO +100°	

NOTES:

1. DIALIGHT PART NO. 566-0207, 566-0307, 566-0407

THIS DRAWING AND THE CONTENTS HEREIN ARE CONFIDENTIAL AND THE SOLE PROPERTY OF DIALIGHT. REPRODUCTION OF THIS DRAWING OR CONSTRUCTION OF ANY PARTS WITHIN THIS DRAWING ARE FORBIDDEN WITHOUT THE WRITTEN CONSENT OF DIALIGHT.

SCALE: 5:1	DRAWING NUMBER	REV
ALL DIM'S IN: INCHES <del>MM</del>	C-16341	B
TOLERANCES: UNLESS OTHERWISE SPECIFIED	TITLE 2mm x 5mm RECT. LED CBI	
FRACTIONS: ±1/64	MATERIAL	
DECIMALS (.XX): ±.020	Dialight	
DECIMALS (.XXX): ±.015	1501 ROUTE 34 SOUTH	
DECIMALS (.XXXX): ±.0005	FARMINGDALE, NJ 07727	
ANGLES: ±3°	FINISH:	
FSCM 83330	SHEET OF	FAMILY TABLE: