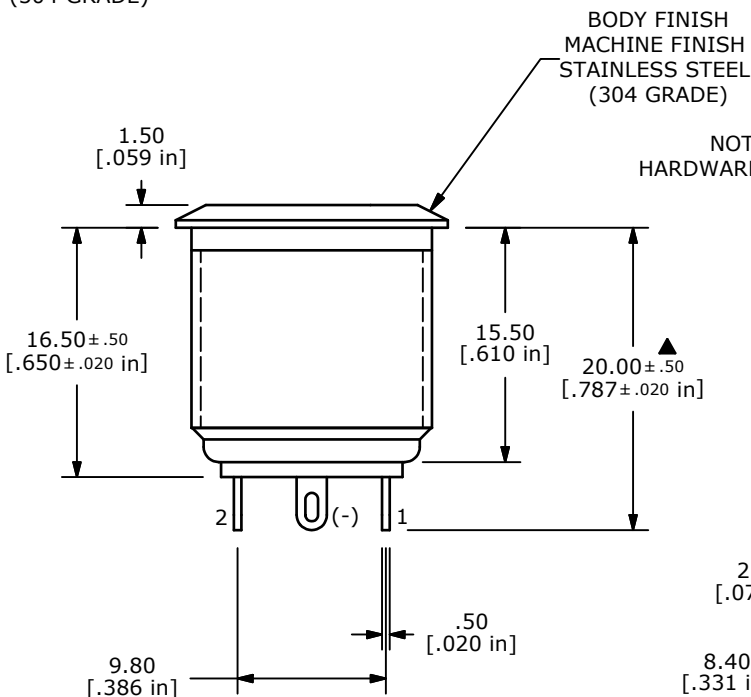
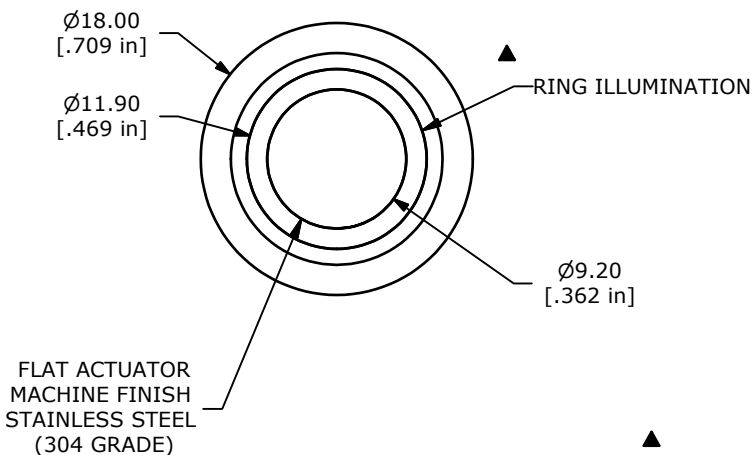
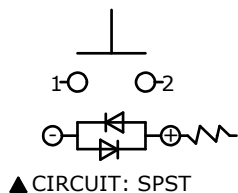


| SWITCH FUNCTION |        |
|-----------------|--------|
| POS. 1          | POS. 2 |
|                 |        |
| OFF             | (ON)   |
| OPEN            | 1-2    |

(ON) = MOMENTARY



- NOTE:
1. ALL DIMENSIONS IN MM [INCH]
  2. GENERAL TOLERANCE: X.X=±0.4  
X.XX=±0.25
  3. TERMINAL NUMBERS FOR REF ONLY
  - ▲ 4. CONTACT MATERIAL: GOLD OVER SILVER PLATED COPPER (AgCdO)
  5. RATING: 0.4VA MAX. @ 20V (AC OR DC) MAX.
  6. ELECTRIC LIFE: 200,000 MAKE-AND-BREAK CYCLES AT FULL LOAD.
  7. INSULATION RESISTANCE: 1,000 MΩ MIN.
  8. DIELECTRIC STRENGTH: 2,000 VAC MIN. FOR 1 MINUTE
  9. CONTACT RESISTANCE: 50mΩ MAX. @ 1A 12VDC
  10. OPERATING TEMP.: -20°C to 55°C
  - ▲ 11. TRAVEL: 1.8mm
  12. ▲ DENOTES CRITICAL PARAMETER.
  - ▲ 13. ILLUMINATION VOLTAGE: BASE VOLTAGE, 20mA 2.8V
  14. ILLUMINATION COLOR: RED (FORWARD), GREEN (REVERSE)
  15. HARDWARE SUPPLIED: O-RING AND HEXNUT (NOT SHOWN)



|     |        |                        |          |     |
|-----|--------|------------------------|----------|-----|
| A   | 20315  | RELEASE FOR PRODUCTION | 11/30/11 | BGL |
| REV | PCR NO | DESCRIPTION            | DATE     | BY  |

|                      |            |     |                  |     |
|----------------------|------------|-----|------------------|-----|
| TITLE PV6F240SSG-3G1 |            |     |                  |     |
| SCALE                | DATE       | DR  | DWG              | REV |
| 2:1                  | 11/30/2011 | BGL | 52-PV6F240SSG3G1 | A   |

THE INFORMATION CONTAINED IN THIS DOCUMENT IS PROPRIETARY TO E-SWITCH AND IS NOT TO BE COPIED OR TRANSFERRED