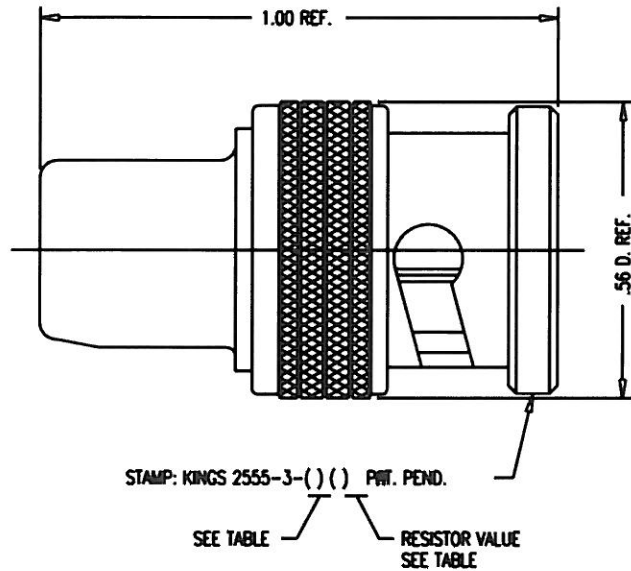


GSD



NOTES:

1. INTERFACE PER MIL-STD-348, FIG. 301-1.
2. MATERIALS:
 - INSULATOR: TEFLON, ASTM-D-4894
 - GASKET & O-RING: SIL. RUB., ZZ-R-765
 - WASHER: PHOS. BRONZE, ASTM-B-103
 - SPRING WASHER & OUTER CONTACT: BER. COP., ASTM-B-196
 - ALL OTHER METAL PARTS: BRASS, ASTM-B16
3. FINISHES:
 - CENTER CONTACT: SEE TABLE (SHEET 2 OF 2)
 - ALL OTHER METAL PARTS: KINGS TARNISH RESISTANT NICKEL FINISH (TR-5)
4. ELECTRICAL CHARACTERISTICS:
 - CHARACTERISTIC IMPEDANCE: 75 OHMS
 - RESISTOR VALUE: SEE TABLE (SHEET 2 OF 2)
 - TEMPERATURE 1/2 W @ 25c

2555-3-() (SHEET 1 OF 2)

REVISIONS	
REVISE	CHANGES
2	CN 33987 E REDRAWN JCA 06/25/92
3	CN 36686 D KH 11/08/95
4	CN 37155 C PG 10/24/96

JCA2912

SCALE 4:1	
APPROX SURFACE AREA	
USED ON	
REF:	
TERMINATION, 1/2 WATT, 75 BNC	
DRAWN JCA	088/25/92
DESIGN DW	088/26/92
APPR.	DATE

KINGS
ELECTRONICS CO., INC.
TUCKAHOE, NEW YORK 10707

GSD


2555-3-()
(SHEET 1 OF 2)

ASSEMBLY NO.	RESISTOR VALUE	RESISTOR TOLERANCE	CENTER CONTACT FINISH *
2555-3-30	75 OHM	5%	OBSOLETE REPLACED BY -32
2555-3-31		1%	OBSOLETE REPLACED BY -32
2555-3-32		0.1%	GOLD
2555-3-33			
2555-3-34	75 OHM	1%	OBSOLETE REPLACED BY -32

GSD

* GOLD PLATE PER MIL-G-45204

GSD

2555-3-() (SHT 2 OF 2)	
REVISIONS	
ISSUE	CHANGES
2	CN 33987 E REDRAWN JCA 06/25/92
3	CN 36686 D KH 11/08/95
4	CN 37155 C PG 10/24/96
JCA2913	
SCALE 1:1	
APPROX SURFACE AREA	
USED ON	
REF:	
ASSEMBLY NO'S AND RESISTOR VALUES	
DRAWN JCA	06 /25/92
DESIGN DW	06 /26/92
APPR.	DATE
 KINGS ELECTRONICS CO., INC. TUCKAHOE, NEW YORK 10707	
2555-3-() (SHEET 2 OF 2)	