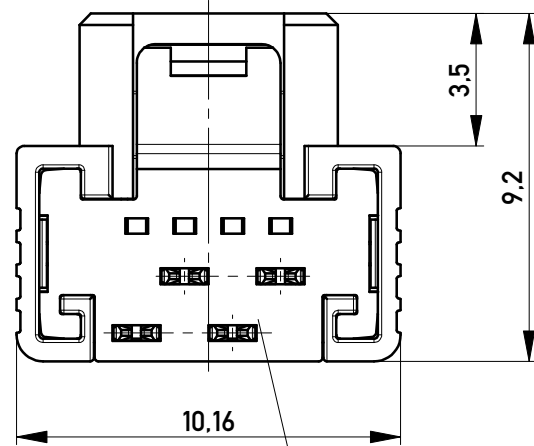
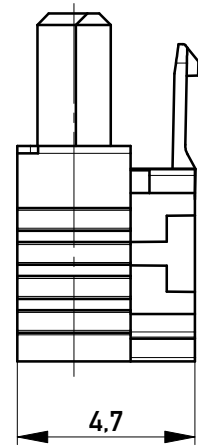
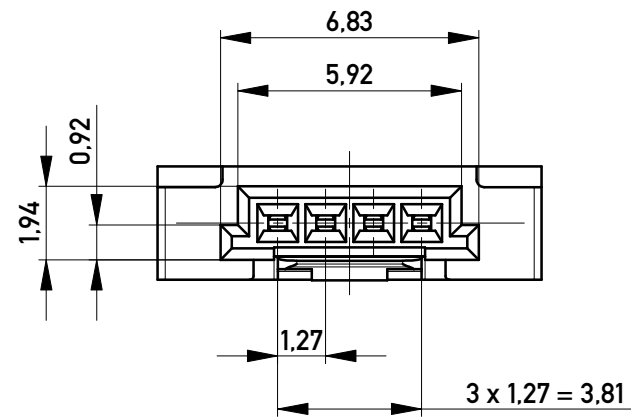


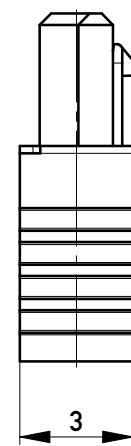
Kontaktbezeichnung
contact marking



Flachbandkabelführung: rot
wire guide: red

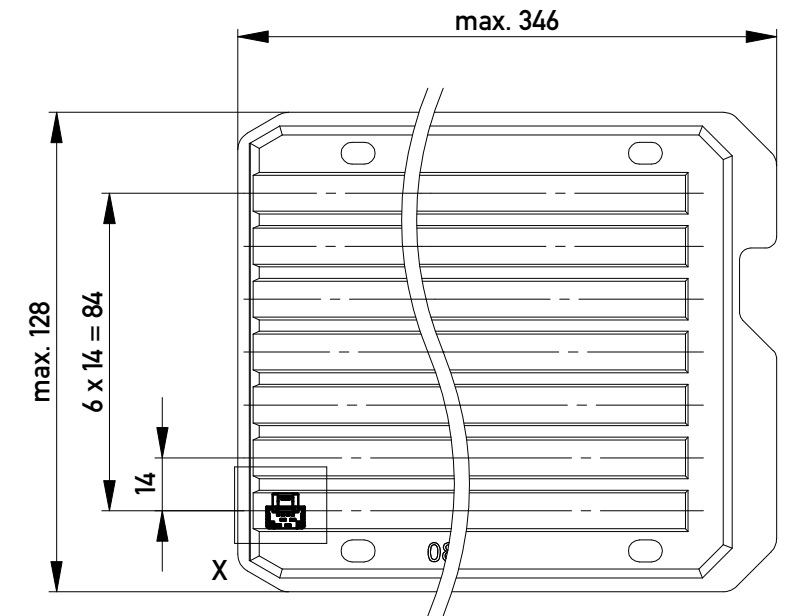


mit aufgesetzter
Drahtführung
(Anlieferungszustand)
with wire guide mounted
(state at time of supply)

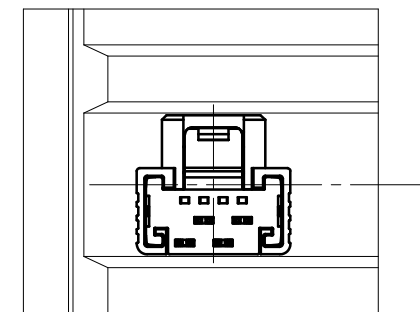


Drahtführung verpresst
(wire guide pressed on)

Verpackt in Tray - tray packaging
Verpackungseinheit 210 Stück - packaging unit 210 pcs



Einzelheit X - detail X
M 2:1



Copyright by ERNI GmbH Proprietary notice pursuant to ISO 16016 to be observed.	Information: nur mit Hilfsmittel lösbar only with tool unlockable		Tolerances All Dimensions in mm	Scale 5:1
	All rights reserved. Only for Information. To ensure that this is the latest version of this drawing, please contact one of the ERNI companies before using.		Subject to modification without prior notice. Drawing will not be updated.	Designation 1,27 SRC A SKV, 4-polig 1,27 SRC A IDC, 4-pin
a Index	10.09.2010 Date	 www.ERNI.com	100900870001	K A3
		Class SRCA		