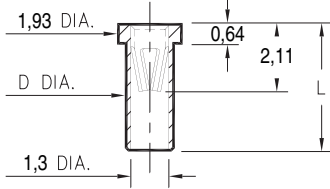


0305

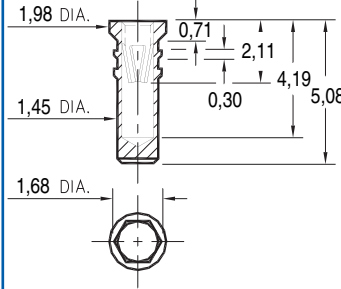


Basic Part Number	Length L	Dia. D
0305-0	2,41	1,42
0305-1	2,67	1,47
0305-2	3,94	1,47

0305-X-15-XX-47-XX-10-0

Solder mount in 1,5/1,55 mounting hole
Also available on 24mm wide carrier tape: 1,500 parts per 330mm reel.
Order as: 0305-2-57-XX-47-XX-10-0

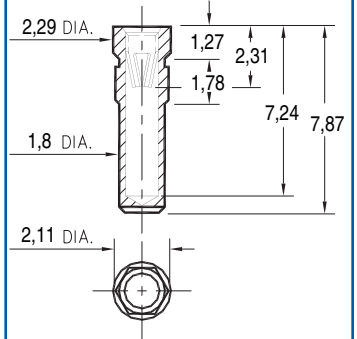
0279



0279-0-15-XX-47-XX-10-0

Hex press-fit in 1,57 plated thru hole

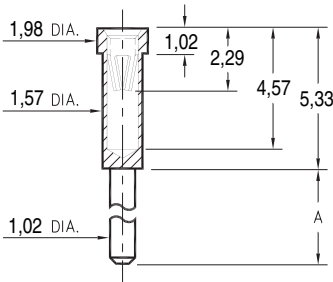
0330



0330-0-15-XX-47-XX-10-0

Hex press-fit in 2,01 plated thru hole

0300/8300

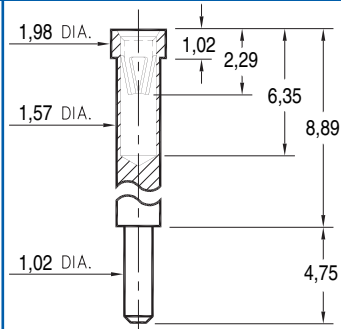


Basic Part Number	Length A
0300-1	2,79
0300-2	4,75
8300-0	3,56

X300-X-15-XX-47-XX-10-0

Solder mount in 1,07 min. mounting hole

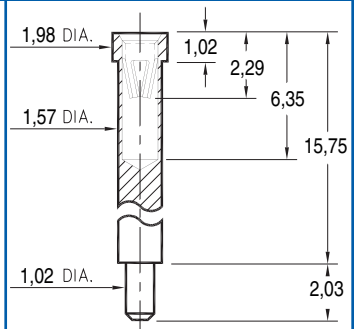
0301



0301-1-15-XX-47-XX-10-0

Solder mount in 1,07 min. mounting hole

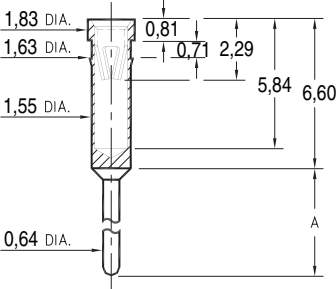
0309



0309-2-15-XX-47-XX-10-0

Solder mount in 1,07 min. mounting hole

0399

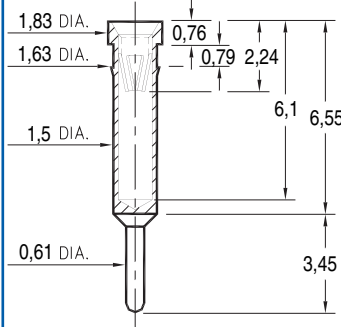


Basic Part Number	Length A
0399-0	5,84
0399-1	4,57

0399-X-15-XX-47-XX-04-0

Press-fit in 1,55 mounting hole

1304



1304-0-15-XX-47-XX-04-0

Press-fit in 1,55 mounting hole

SPECIFICATIONS

SHELL MATERIAL:
Brass Alloy 360, 1/2 Hard

CONTACT MATERIAL:
Beryllium Copper Alloy 172, HT

PART MANUFACTURED IN INCHES, METRIC FOR REF ONLY

TOLERANCES ON:
LENGTHS: ± 0,13
DIAMETERS: ± 0,05
ANGLES: ± 2°

ORDER CODE: XXXX - X - 15 - XX - 47 - XX - XX - 0

BASIC PART # →

SPECIFY SHELL FINISH:

01 5,08µm TIN/LEAD OVER NICKEL

80 5,08µm TIN OVER NICKEL ◊

15 0,25µm GOLD OVER NICKEL ◊

SPECIFY CONTACT FINISH:

01 5,08µm TIN/LEAD OVER NICKEL

80 5,08µm TIN OVER NICKEL ◊

27 0,76µm GOLD OVER NICKEL ◊

CONTACT

#47 CONTACT (DATA ON PAGE 211)

