

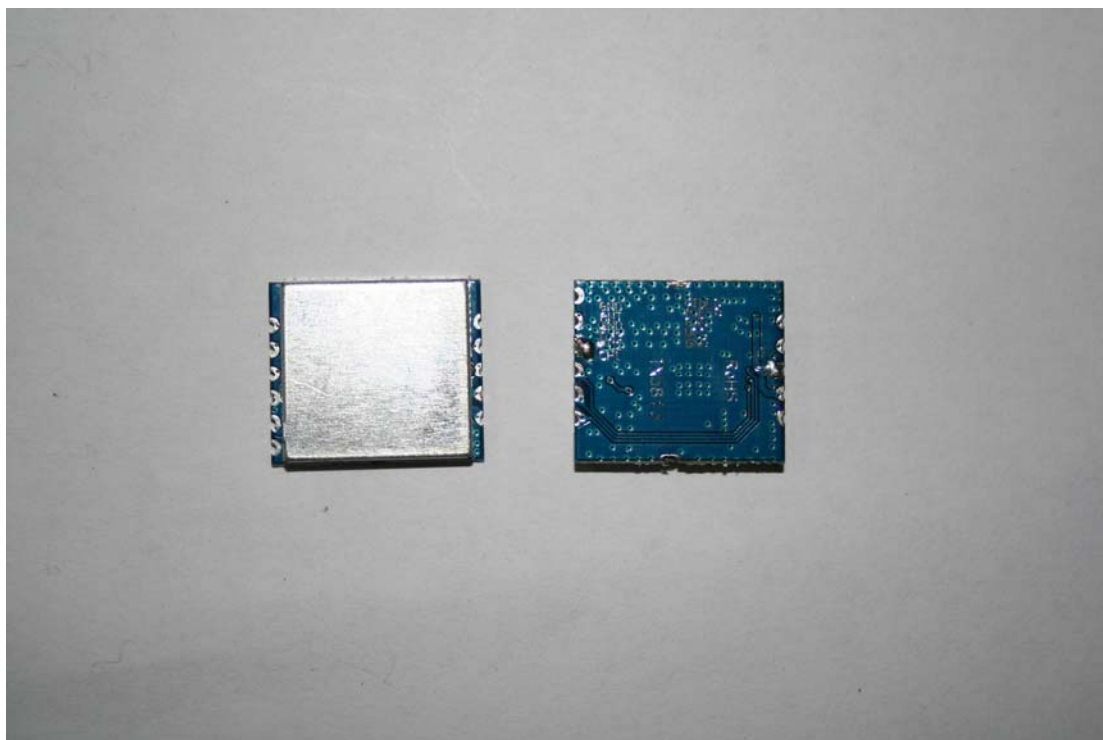
PRODUCT SPECIFICATION

MODE: TX5813

5.8G AV Transmitter Module

| | Modulate | Wideband FM Modulate | | | |
|----|-------------------------|----------------------|------|------|-------|
| | Video Format | NTSC/PAL | | | |
| | Characteristics | Value | | | |
| | | Min. | Typ. | Max. | Units |
| 1 | Output Impedance | --- | 50 | --- | Ohm |
| 2 | Output Power | 9 | 10 | 11 | dBm |
| 3 | Frequency range | 5705 | --- | 5945 | MHz |
| 4 | Operating Voltage | 3.5 | 5.0 | 5.5 | V |
| 5 | Supply current | --- | 170 | 180 | mA |
| 6 | Operating Temperature | -10 | --- | +85 | °C |
| 7 | Video Band Width | 0 | --- | 8.0 | MHz |
| 8 | Audio carrier Frequency | --- | 6.5 | --- | MHz |
| 9 | Video input Level | 0.9 | 1.0 | 1.1 | Vp-p |
| 10 | Video input Impedance | --- | 75 | --- | Ohm |
| 11 | Audio input lever | 0.5 | --- | 2.0 | Vp-p |
| 12 | Audio input Impedance | --- | 10K | --- | Ohm |
| 13 | Weight | --- | 10 | --- | g |
| 14 | Dimensions(L x W x H) | 22 x 19 x 3 mm | | | |

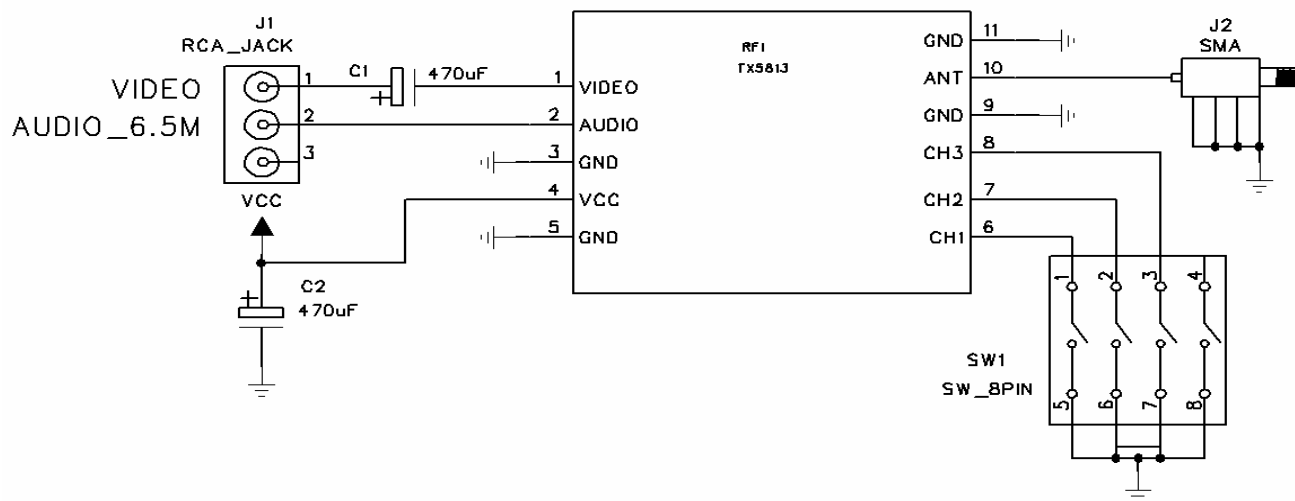
Picture:



Pin descriptions

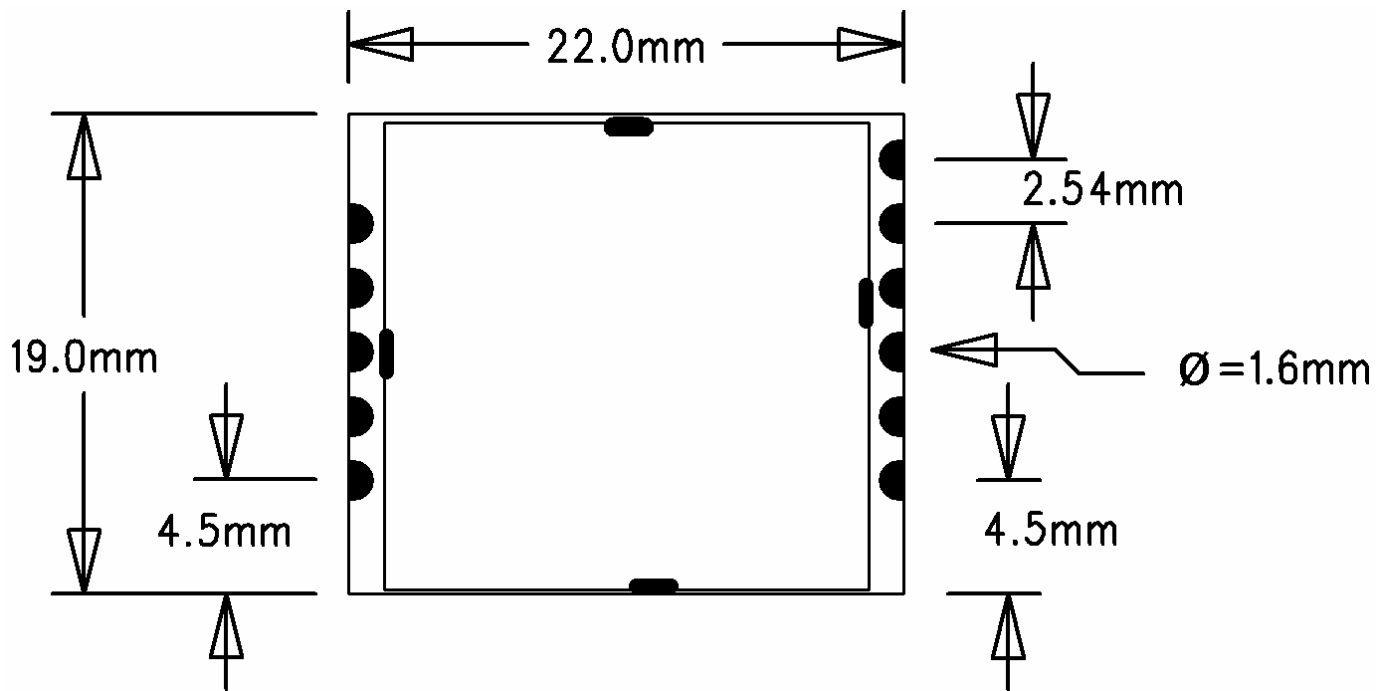
| | | PIN | NAME | I/O | FUNCTION |
|--|--|-----|-------|-----|-----------------------|
| | | 1 | GND | I | Antenna ground |
| | | 2 | ANT | I | Antenna input: 50 Ohm |
| | | 3 | GND | I | Antenna ground |
| | | 4 | CH1 | I | Channel 3 select |
| | | 5 | CH2 | I | Channel 3 select |
| | | 6 | CH3 | I | Channel 3 select |
| | | 7 | GND | I | Power ground |
| | | 8 | +5V | I | 5V power DC in |
| | | 9 | RSSI | O | RSSI output voltage |
| | | 10 | A6.5M | O | Audio input |
| | | 11 | VIDEO | O | Video input |
| | | 12 | GND | I | Power ground |

Application diagram:



Channel select:

| Channel number | CH1 | CH2 | CH3 | CH4 | CH5 | CH6 | CH7 | CH8 | |
|-------------------|------|------|------|------|------|------|------|------|---|
| TX frequency(MHz) | 5705 | 5685 | 5665 | 5645 | 5885 | 5905 | 5925 | 5945 | |
| Pin level | CH1 | 0 | 1 | 0 | 1 | 0 | 1 | 0 | 1 |
| | CH2 | 0 | 0 | 1 | 1 | 0 | 0 | 1 | 1 |
| | CH3 | 0 | 0 | 0 | 0 | 1 | 1 | 1 | 1 |

Dimension:**Side View:**