



TAI-SAW TECHNOLOGY CO., LTD.

No. 3, Industrial 2nd Rd., Ping-Chen Industrial District,
Taoyuan, 324, Taiwan, R.O.C.

TEL: 886-3-4690038 FAX: 886-3-4697532

E-mail: tstsales@mail.taisaw.com Web: www.taisaw.com

Product Specifications Approval Sheet

Product Name: 374 MHz 17MHz BW SMD 3.8 x 3.8 mm SAW IF Filter

TST Parts No.: TB0210A

Customer Parts No.: _____

Customer signature required
Company: _____
Division: _____
Approved by : _____
Date: _____

Checked by: _____ Kazuma Lee 

Approval by: _____ Bob Chau 

Date: _____ 05 / 03 / 2013

1. Customer signed back is required before TST can proceed with sample build and receive orders.
2. Orders received without customer signed back will be regarded as agreement on the specifications.
3. Any specifications changes must be approved upon by both parties and a new revision of specifications shall be released to reflect the changes.



TAI-SAW TECHNOLOGY CO., LTD.

No.3, Industrial 2nd Rd., Ping-Chen Industrial District, Taoyuan, Taiwan, R.O.C.

TEL: 886-3-4690038 FAX: 886-3-4697532

E-mail: tstsales3@mail.taisaw.com Web: www.taisaw.com

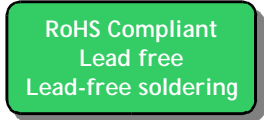
SAW Filter 374MHz 17MHz BW (SMD 3.8x3.8 mm)

MODEL NO.: TB0210A

REV. NO.2

A. MAXIMUM RATING:

1. Operating temperature range: -10°C to 85°C
2. Storage temperature range: -40°C to 85°C
3. Input Power Level : 10 dBm
4. Maximum DC Voltage : 10V



Electrostatic Sensitive Device

B. Characteristics :

Item	Unit	Min.	Type.	Max.	Note
Center frequency, Fc	MHz	-	374	-	
Insertion Loss, IL	dB	-	9	10	
Passband width, BW3	MHz	17	23.4	-	
Amplitude Ripple in $Fc \pm 7\text{MHz}$	dB	-	0.7	1	
Group delay ripple in $Fc \pm 7\text{MHz}$	nS	-	50	100	
Triple transit suppression	dB	30	38	-	
Attenuation:(Reference level from Min IL)					
274MHz to 330 MHz	dB	40	48	-	
330MHz to 349.5MHz	dB	40	47	-	
349.5MHz to 355 MHz	dB	30	38	-	
393MHz to 398.5MHz	dB	30	44	-	
398.5MHz to 422MHz	dB	35	45	-	
422MHz to 474MHz	dB	40	49	-	

C. Frequency Characteristics :_

(1) wide band of Response:

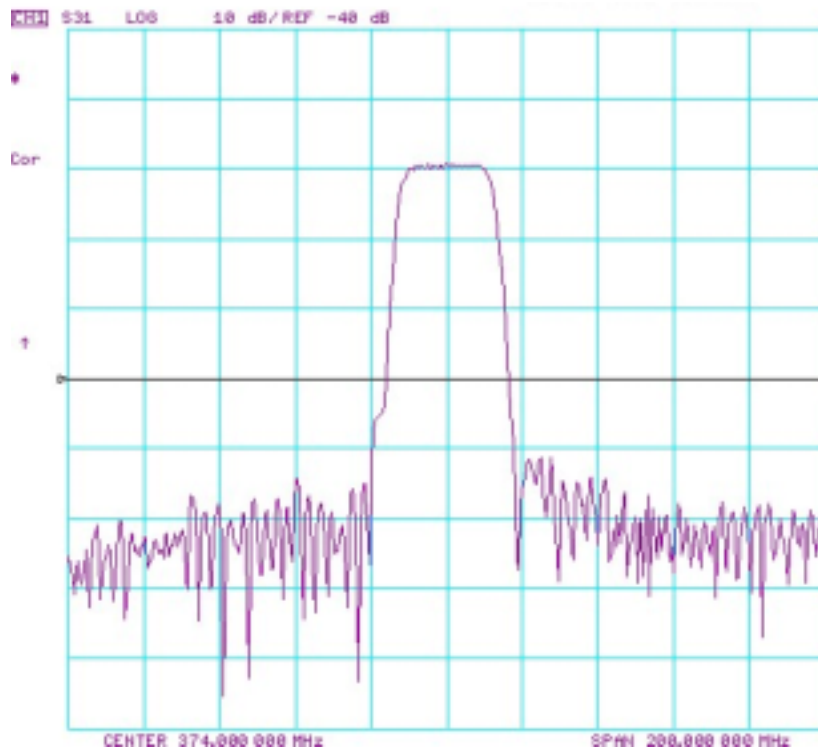


Fig-1 S21 Response Horizontal: 20MHz/Div
Vertical: 10dB/div REF. : -40dB

(2) Passband of Response:

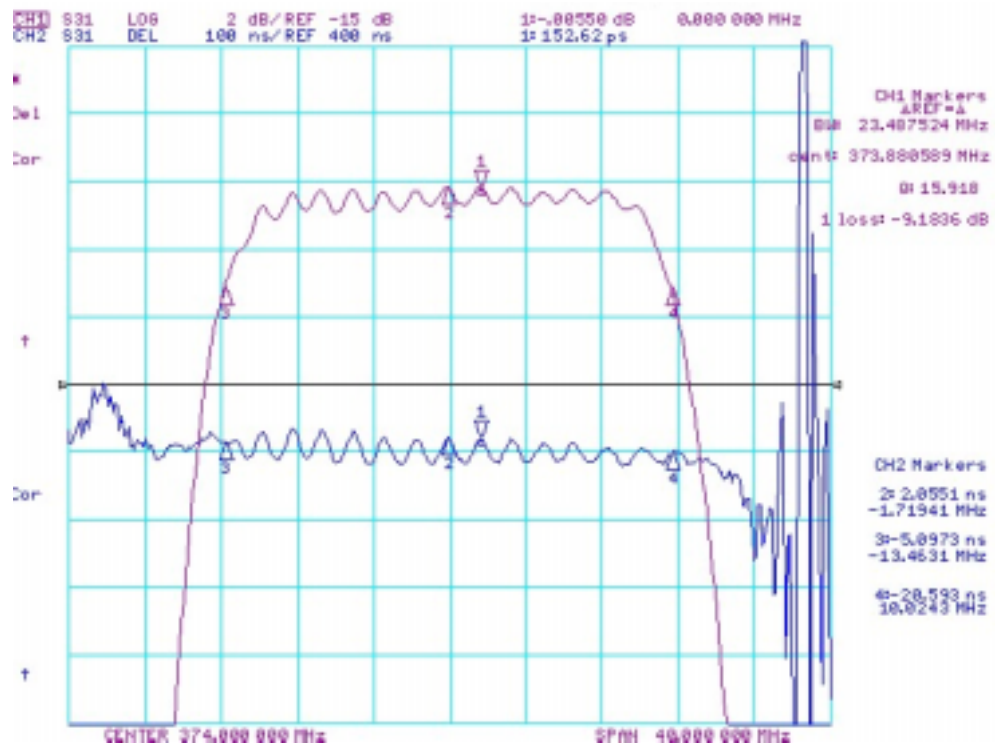
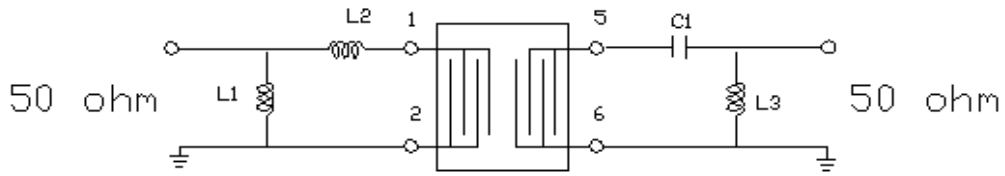


Fig-1 S21 Response Horizontal: 3MHz/Div
Vertical: 5dB/Div, 100nS

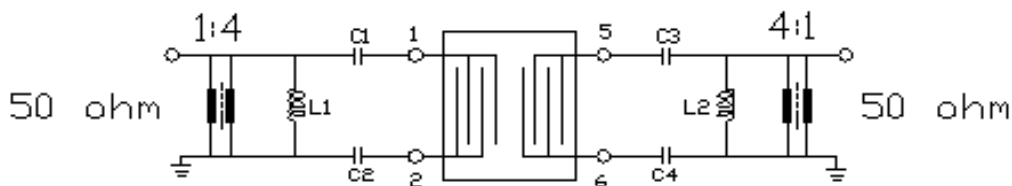
D. Matching Circuit:

(1) 50 ohm unbalanced:



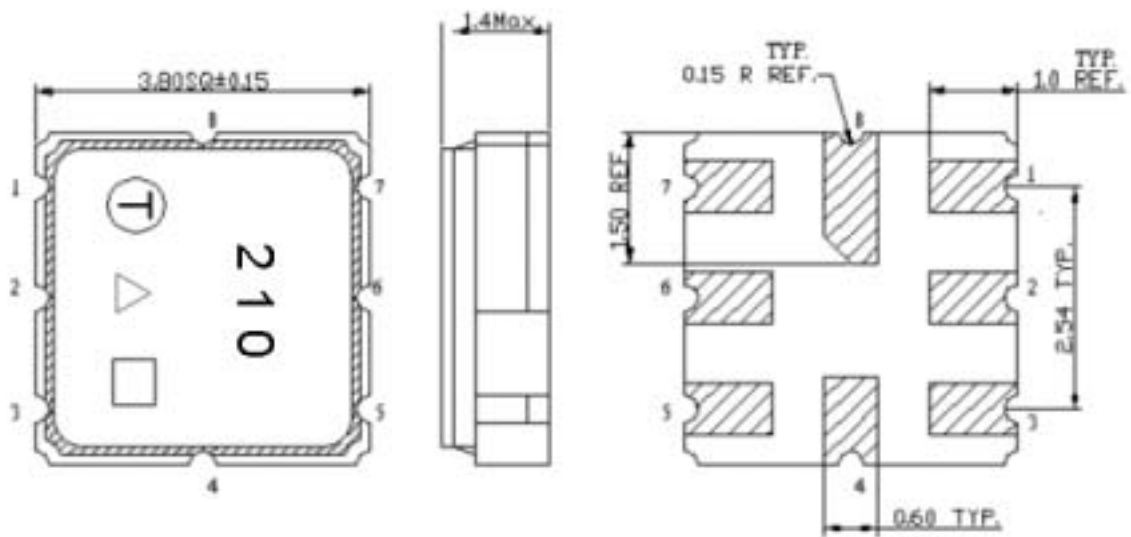
$L1=8\text{nH}$ $L2=27\text{nH}$ $L3=39\text{nH}$ $C1=18\text{pF}$

(2) 200 ohm balanced:



$L1=27\text{nH}$ $C1=C2=15\text{pF}$ $C3=C4=18\text{pF}$ $L2=33\text{nH}$

E Outline Drawing:



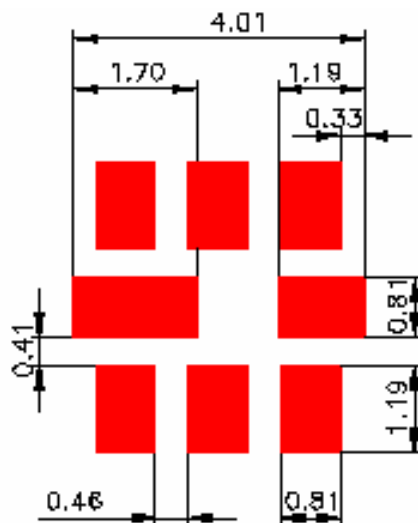
- #1 –RF input
- #2 –RF balance input or to be ground
- #5 –Output
- #6 –RF balance Output or to be ground
- #3,4,7,8, – Ground
- : Week Code
- Unit : mm
- : Product / Year Code

Year	2013 2015	2014 2016
Product Code	B	b

Week Code Table

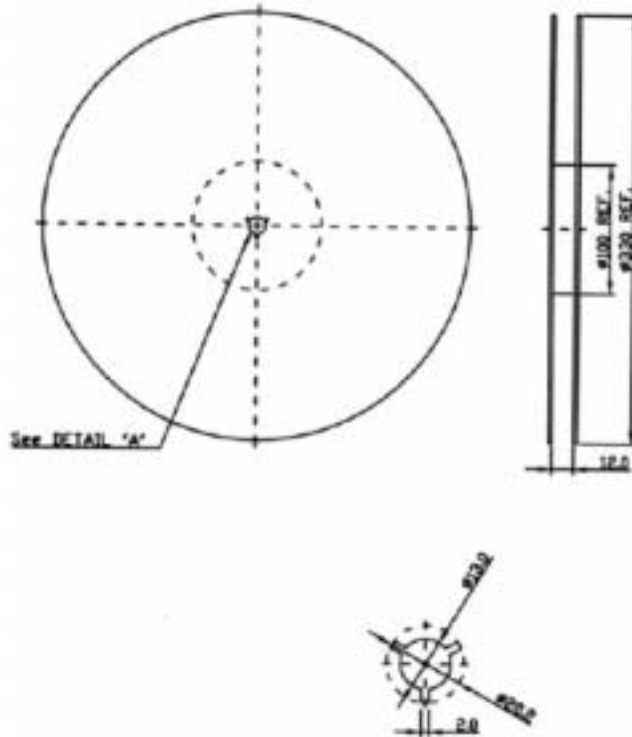
WK01	WK02	WK03	WK04	WK05	WK06	WK07	WK08	WK09	WK10	WK11	WK12	WK13
A	B	C	D	E	F	G	H	I	J	K	L	M
WK14	WK15	WK16	WK17	WK18	WK19	WK20	WK21	WK22	WK23	WK24	WK25	WK26
N	O	P	Q	R	S	T	U	V	W	X	Y	Z
WK27	WK28	WK29	WK30	WK31	WK32	WK33	WK34	WK35	WK36	WK37	WK38	WK39
a	b	c	d	e	f	g	h	i	j	k	l	m
WK40	WK41	WK42	WK43	WK44	WK45	WK46	WK47	WK48	WK49	WK50	WK51	WK52
n	o	p	q	r	s	t	u	v	w	x	y	z

F. PCB Footprint:

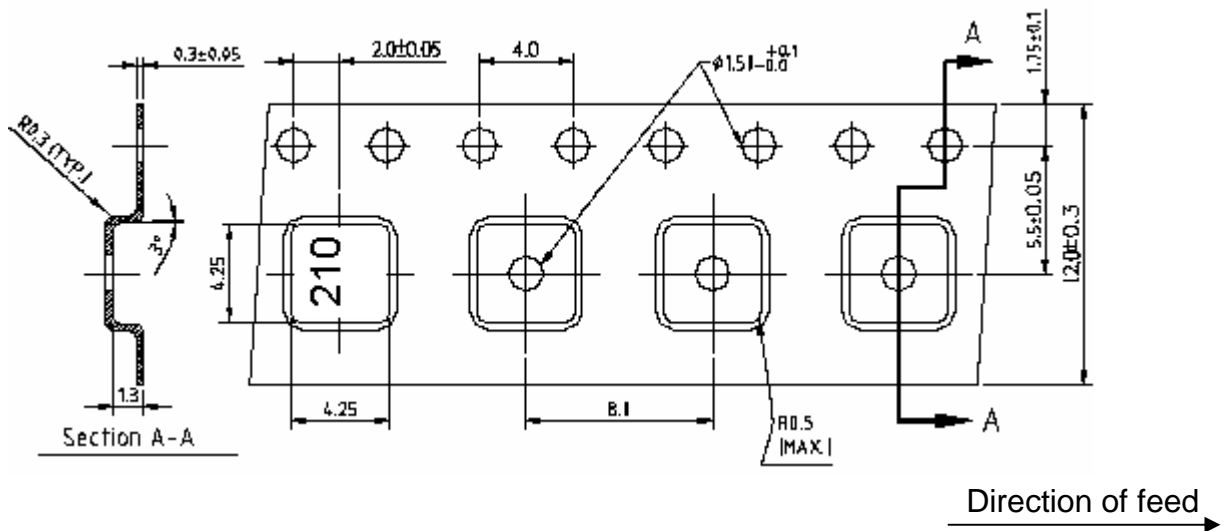


G. PACKING:

1. REEL DIMENSION: (Please refer to FR-75D10 for packing quantity)



2. TAPE DIMENSION:



H. RECOMMENDED REFLOW PROFILE:

