

SPECIFICATION

No. _____

STK403-120

2002.12.28

TENTATIVE

1. Case Outline 15Pins (See attached Package Outline Diagram)
2. Function 2 channels AF power amplifier
3. Application 80W audio use
4. Maximum Ratings / Ta=25°C

Item	Symbol	Conditions	Ratings	Unit
Maximum Power Supply Voltage 0	Vcc max(0)	Non- signal	+65	V
Maximum Power Supply Voltage	Vcc max(1)	Signal ,RL 6ohm	+57	V
Minimum Operation Supply Voltage	Vcc min		+10	V
#12 Maximum Operating Current *7	IST OFF max		0.6	mA
Thermal Resistance	Theta j-c	Per one power TR	1.9	°C/W
Junction Temperature	Tj max	Should satisfy Tj max and Tc max	150	°C
Operating Substrate Temperature	Tc max		125	°C
Storage Temperature	Tstg		-30 to +125	°C
Available Time for Load Short-circuit *4	ts	Vcc=+40V,RL=6ohm,f=50Hz Po=80W,1ch drive	0.3	s

5. Operating Characteristics

Tc=25°C ,RL=6ohm(Non-inductive Load),Rg=600ohm,VG=30dB

Item	Symbol	Conditions *2					Ratings			Unit
		V (V)	f (Hz)	Po (W)	THD (%)		MIN.	TYP.	MAX.	
Output Power *1	Po 1	+40	20 to 20k		0.4		76	80		W
	Po 2	+40	1k		10			120		
THD *1	THD 1	+40	20 to 20k	5.0	VG=30dB				0.4	%
	THD 2	+40	1k						0.01	
Frequency Characteristics *1	fl,fH	+40		1.0		+0 -3 dB	20 to 50k			Hz
Input Impedance	ri	+40	1k	1.0				55		kohm
Output Noise Voltage *3	VNO	+48				Rg=2.2kohm			1.0	mVrms
Quiescent Current	ICCO	+48				No load	20	45	80	mA
Output Neutral Voltage	VN	+48					-70	0	+70	mV
#13 Stand-By Current	IST ON	+40				V#13=5V #13PIN			0	mA
#13 Operating Current	IST OFF	+40				Resistance R1=13kohm	0.25		0.6	mA

*Specifications and information herein are subject to change without notice.

STK403-120

*Specifications and information herein are subject to change without notice.

Note *1.1channel Operation.

*2.All tests are measured using a constant-voltage supply unless otherwise specified.

*3.The output noise voltage is peak value of an average-reading meter with a rms value scale(VTVM).

A regulated AC supply(50Hz) should be used to eliminate the effects of AC primary line flicker noise.

*4.Available time for load short-circuit and output noise voltage are measured using the specified transformer power supply.

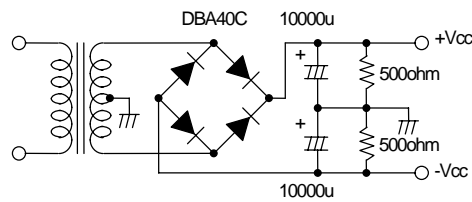
*5.Please keep the condition always most below Voltage '-Pre Vcc(#1pin)'.
-Pre Vcc(#1pin)

*6.In case of heat sink design, we request customer to design in the condition to have assumed market.

*7.Please specify resistance value by satisfying '#13(Stand-By)pin' Maximum Operating Current.

This Circuit change operation mode to give above V_{BE} (about 0.6v) voltage at '#13(Stand-By)pin'.

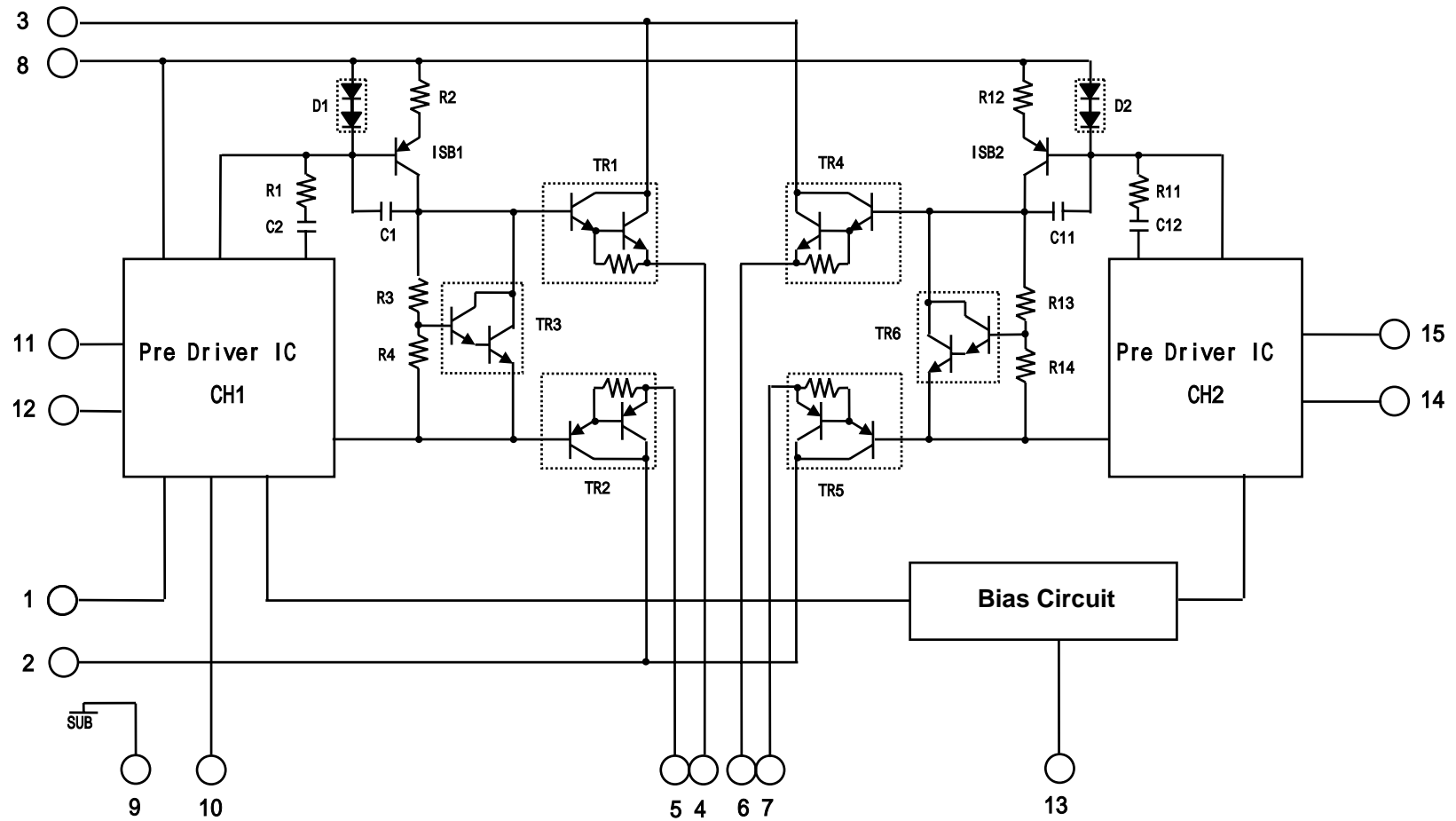
Specified Transformer Power Supply



(Equivalent to MG-250)

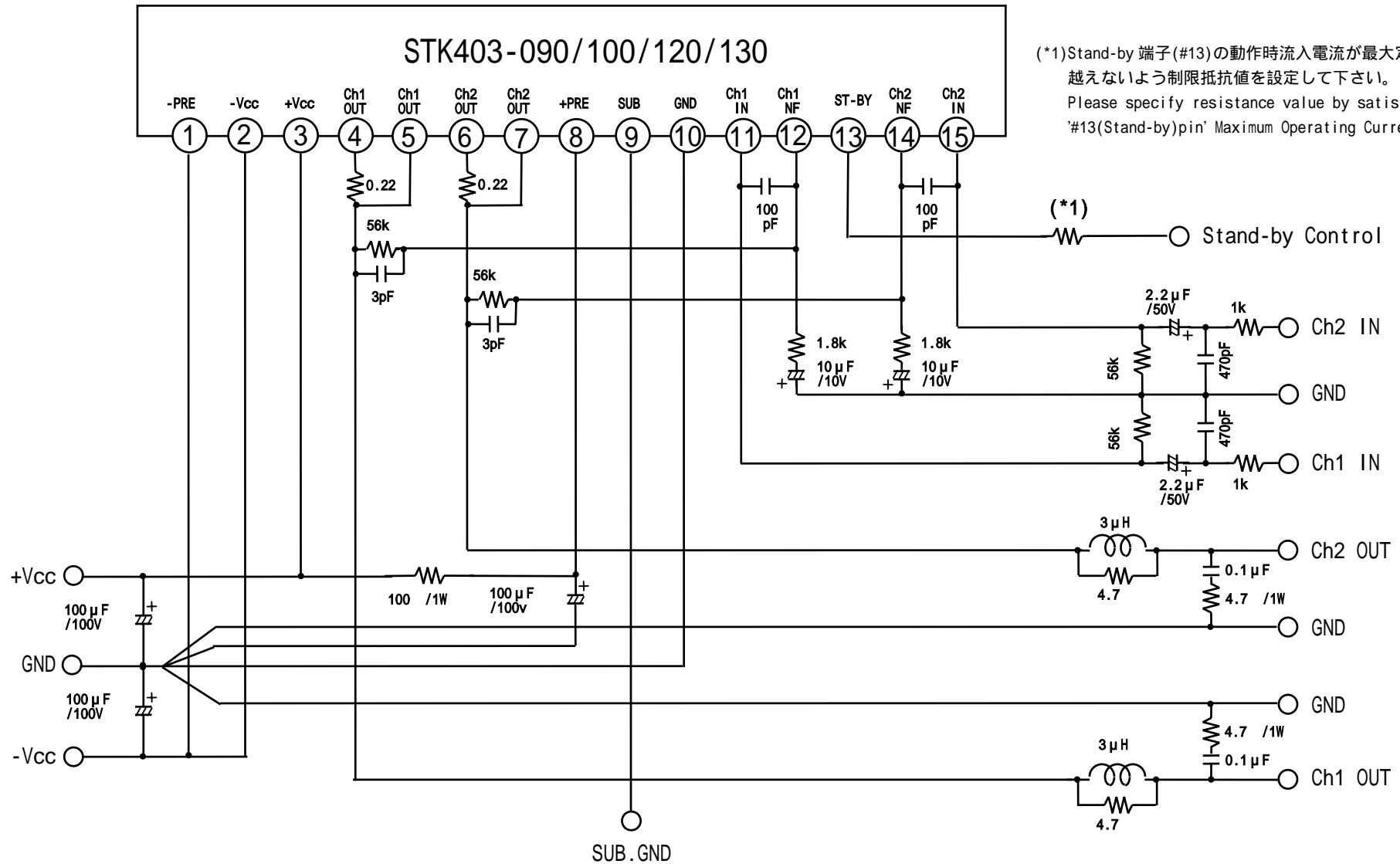
内部等価回路

Equivalent Block Diagram (STK403-090/100/120/130)



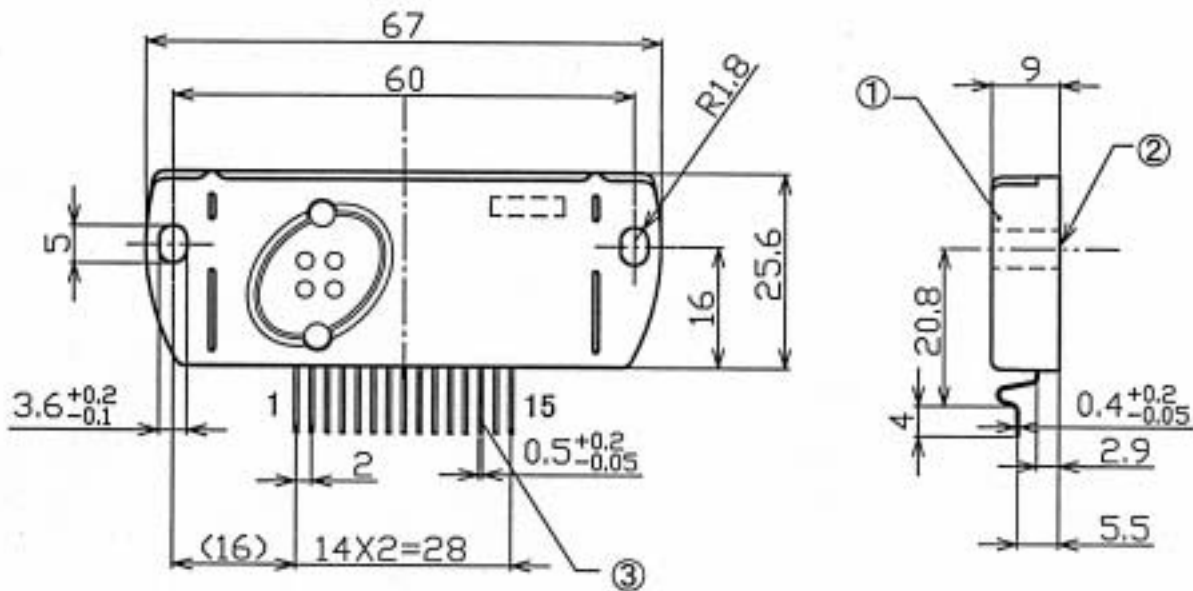
測定回路図

Test Circuit (STK403-090/100/120/130)



PACKAGE DIMENSION

SCALE	1/1	UNIT	mm
-------	-----	------	----



	PARTS	MATERIAL	TREATMENT
①	CASE	PBT	
②	SUBSTRATE	IMST SUBSTRATE	
③	LEAD FRAME	SPCC-SB	COPPER / SOLDER PLATING
④			

DO NOT SCALE THIS DRAWING TOLERANCES UNLESS OTHERWISE SPECIFIED ±0.5

DRAWN		DATE	Jul/22/2002	NAME		PART No.	
CHECK		APPROVAL		OUTLINE	EIAJ _____ JEDEC _____ SANYO _____		

STK403-100series Stand-by Control & Mute Control Application

2002.07.22

(*1)Stand-by 端子(#13)の動作時流入電流が最大定格を越えないよう制限抵抗値 R1 を設定して下さい。
Please specify resistance value by satisfying '13(Stand-by)pin' Maximum Operating Current.

