

400 WATT TVS COMPONENT



APPLICATIONS

- Power Supply
- AC/DC Applications
- Telecom

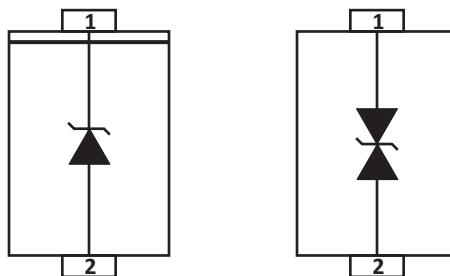
FEATURES

- UL File Recognition #E333727
- IEC 61000-4-2 (ESD): Level 4 - Air 15kV, Contact 8kV
- IEC 61000-4-4 (EFT): 40A 5/50ns
- IEC 61000-4-5 (Surge): 8/20 μ s Waveform
- Glass Passivated Chip
- 400 Watts Peak Pulse Power per Line (tp = 10/1000 μ s)
- Low Leakage Current
- Bidirectional and Unidirectional Configurations
- Excellent Clamping Capability
- Very Fast Response Time
- Available in Multiple Voltages
- RoHS Compliant
- REACH Compliant

MECHANICAL CHARACTERISTICS

- Molded JEDEC DO-214AC Package
- Approximate Weight: 0.06 grams
- Lead-Free Pure-Tin Plating (Annealed)
- Solder Reflow Temperature:
Pure-Tin - Sn, 100: 260-270°C
- 12mm Tape and Reel Per EIA Standard 481
- Terminal: Solderable per MIL-STD-750, Method 2026
- Flammability Rating UL 94V-0

PIN CONFIGURATIONS



TYPICAL DEVICE CHARACTERISTICS

MAXIMUM RATINGS @ 25°C Unless Otherwise Specified

PARAMETER	SYMBOL	VALUE	UNITS
Operating Temperature	T_A	-55 to 150	°C
Storage Temperature	T_{STG}	-55 to 150	°C
Peak Pulse Power (tp =10/1000µs) - See Figure 1 and Note 1	P_{PP}	400	Watts
Power Dissipation on Infinite Heatsink at $T_L = 75^\circ\text{C}$	P_D	1.0	Watts
Peak Forward Surge Current, 8.3ms single half sinewave - Unidirectional Only (Note 2)	I_{FSM}	40	Amps
Maximum Instantaneous Forward Voltage at 25A - Unidirectional Only (Note 3)	V_F	3.5/5.0	V

NOTE

1. Non-repetitive current pulse per Figure 2 and derated above $T_A = 25^\circ\text{C}$ per Figure 3.
2. Measured on 8.3ms single half sinewave or equivalent square wave, duty cycle = 4 pulses per minute maximum.
3. $V_F < 3.5\text{V}$.

ELECTRICAL CHARACTERISTICS PER LINE @ 25°C Unless Otherwise Specified

PART NUMBER (Notes 1-3)	DEVICE MARKING		REVERSE STAND-OFF VOLTAGE V_{RWM} VOLTS	BREAKDOWN VOLTAGE $V_{(BR)} @ I_T$ VOLTS		TEST CURRENT @ I_T mA	MAXIMUM CLAMPING VOLTAGE (Fig. 2) @ I_P V_C VOLTS	MAXIMUM REVERSE SURGE CURRENT @ I_{PP} AMPS	MAXIMUM REVERSE LEAKAGE CURRENT @ V_{RWM} I_R µA
	UNI	BI		MIN	MAX				
SMAJ5.0	AD	WD	5.0	6.40	7.30	10	9.6	41.7	800
SMAJ5.0A	AE	WE	5.0	6.40	7.00	10	9.2	43.5	800
SMAJ6.0	AF	WF	6.0	6.67	8.15	10	11.4	35.1	800
SMAJ6.0A	AG	WG	6.0	6.67	7.37	10	10.3	38.8	800
SMAJ6.5	AH	WH	6.5	7.22	8.82	10	12.3	32.5	500
SMAJ6.5A	AK	WK	6.5	7.22	7.98	10	11.2	35.7	500
SMAJ7.0	AL	WL	7.0	7.78	9.51	10	13.3	30.1	200
SMAJ7.0A	AM	WM	7.0	7.78	8.60	10	12.0	33.3	200
SMAJ7.5	AN	WN	7.5	8.33	10.20	1	14.3	28.0	100
SMAJ7.5A	AP	WP	7.5	8.33	9.21	1	12.9	31.0	100
SMAJ8.0	AQ	WQ	8.0	8.89	10.90	1	15.0	26.7	50
SMAJ8.0A	AR	WR	8.0	8.89	9.83	1	13.6	29.4	50
SMAJ8.5	AS	WS	8.5	9.44	11.50	1	15.9	25.2	10
SMAJ8.5A	AT	WT	8.5	9.44	10.40	1	14.4	27.8	10
SMAJ9.0	AU	WU	9.0	10.00	12.20	1	16.9	23.7	5
SMAJ9.0A	AV	VV	9.0	10.00	11.10	1	15.4	26.0	5
SMAJ10	AW	WW	10.0	11.10	13.60	1	18.8	21.3	5
SMAJ10A	AX	WX	10.0	11.10	12.30	1	17.0	23.5	5
SMAJ11	AY	WY	11.0	12.20	14.90	1	20.1	19.9	1
SMAJ11A	AZ	WZ	11.0	12.20	13.50	1	18.2	22.0	1
SMAJ12	BD	XD	12.0	13.30	16.30	1	22.0	18.2	1
SMAJ12A	BE	XE	12.0	13.30	14.70	1	19.9	20.1	1

TYPICAL DEVICE CHARACTERISTICS

ELECTRICAL CHARACTERISTICS PER LINE @ 25°C Unless Otherwise Specified

PART NUMBER (Notes 1-3)	DEVICE MARKING		REVERSE STAND-OFF VOLTAGE V_{RWM} VOLTS	BREAKDOWN VOLTAGE $V_{(BR)} @ I_T$ VOLTS		TEST CURRENT @ I_T mA	MAXIMUM CLAMPING VOLTAGE (Fig. 2) @ I_P V_C VOLTS	MAXIMUM REVERSE SURGE CURRENT @ I_{PP} AMPS	MAXIMUM REVERSE LEAKAGE CURRENT @ V_{RWM} I_R μ A
	UNI	BI		MIN	MAX				
	SMAJ13	BF	XF	13.0	14.40	17.60	1	23.8	16.8
SMAJ13A	BG	XG	13.0	14.40	15.90	1	21.5	18.6	1
SMAJ14	BH	XH	14.0	15.60	19.10	1	25.8	15.5	1
SMAJ14A	BK	XK	14.0	15.60	17.20	1	23.2	17.2	1
SMAJ15	BL	XL	15.0	16.70	20.40	1	26.9	14.9	1
SMAJ15A	BM	XM	15.0	16.70	18.50	1	24.4	16.4	1
SMAJ16	BN	XN	16.0	17.80	21.80	1	28.8	13.9	1
SMAJ16A	BP	XP	16.0	17.80	19.70	1	26.0	15.4	1
SMAJ17	BQ	XQ	17.0	18.90	23.10	1	30.5	13.1	1
SMAJ17A	BR	XR	17.0	18.90	20.90	1	27.6	14.5	1
SMAJ18	BS	XS	18.0	20.00	24.40	1	32.2	12.4	1
SMAJ18A	BT	XT	18.0	20.00	22.10	1	29.2	13.7	1
SMAJ19	BA	XA	19.0	21.13	25.76	1	34.0	11.8	1
SMAJ19A	BB	XB	19.0	21.10	23.30	1	30.8	13.0	1
SMAJ20	BU	XU	20.0	22.20	27.10	1	35.8	11.2	1
SMAJ20A	BV	XV	20.0	22.20	24.50	1	32.4	12.4	1
SMAJ22	BW	XW	22.0	24.40	29.80	1	39.4	10.2	1
SMAJ22A	BX	XX	22.0	24.40	26.90	1	35.5	11.3	1
SMAJ24	BY	XY	24.0	26.70	32.60	1	43.0	9.3	1
SMAJ24A	BZ	XZ	24.0	26.70	29.50	1	38.9	10.3	1
SMAJ26	CD	YD	26.0	28.90	35.30	1	46.6	8.6	1
SMAJ26A	CE	YE	26.0	28.90	31.90	1	42.1	9.5	1
SMAJ28	CF	YF	28.0	31.10	38.00	1	50.0	8.0	1
SMAJ28A	CG	YG	28.0	31.10	34.40	1	45.4	8.8	1
SMAJ30	CH	YH	30.0	33.30	40.70	1	53.5	7.5	1
SMAJ30A	CK	YK	30.0	33.30	36.80	1	48.4	8.3	1
SMAJ33	CL	YL	33.0	36.70	44.90	1	59.0	6.8	1
SMAJ33A	CM	YM	33.0	36.70	40.60	1	53.3	7.5	1
SMAJ36	CN	YN	36.0	40.00	48.90	1	64.3	6.2	1
SMAJ36A	CP	YP	36.0	40.00	44.20	1	58.1	6.9	1
SMAJ40	CQ	YQ	40.0	44.40	54.30	1	71.4	5.6	1
SMAJ40A	CR	YR	40.0	44.40	49.10	1	64.5	6.2	1
SMAJ43	CS	YS	43.0	47.80	58.40	1	76.7	5.2	1
SMAJ43A	CT	YT	43.0	47.80	52.80	1	69.4	5.8	1

TYPICAL DEVICE CHARACTERISTICS

ELECTRICAL CHARACTERISTICS PER LINE @ 25°C Unless Otherwise Specified

PART NUMBER (Notes 1-3)	DEVICE MARKING		REVERSE STAND-OFF VOLTAGE	BREAKDOWN VOLTAGE		TEST CURRENT	MAXIMUM CLAMPING VOLTAGE (Fig. 2)	MAXIMUM REVERSE SURGE CURRENT	MAXIMUM REVERSE LEAKAGE CURRENT
				$V_{(BR)} @ I_T$ VOLTS					
	UNI	BI	V_{RWM} VOLTS	MIN	MAX	@ I_T mA	@ I_p V_c VOLTS	@ I_{PP} AMPS	@ V_{RWM} I_R μA
SMAJ45	CU	YU	45.0	50.00	61.10	1	80.3	5.0	1
SMAJ45A	CV	YV	45.0	50.00	55.30	1	72.7	5.5	1
SMAJ48	CW	YW	48.0	53.30	65.10	1	85.5	4.7	1
SMAJ48A	CX	YX	48.0	53.30	58.90	1	77.4	5.2	1
SMAJ51	CY	YY	51.0	56.70	69.30	1	91.1	4.4	1
SMAJ51A	CZ	YZ	51.0	56.70	62.70	1	82.4	4.9	1
SMAJ54	RD	ZD	54.0	60.00	73.30	1	96.3	4.2	1
SMAJ54A	RE	ZE	54.0	60.00	66.30	1	87.1	4.6	1
SMAJ58	RF	ZF	58.0	64.40	78.70	1	103.0	3.9	1
SMAJ58A	RG	ZG	58.0	64.40	71.20	1	93.6	4.3	1
SMAJ60	RH	ZH	60.0	66.70	81.50	1	107.0	3.7	1
SMAJ60A	RK	ZK	60.0	66.70	73.70	1	96.8	4.1	1
SMAJ64	RL	ZL	64.0	71.10	86.90	1	114.0	3.5	1
SMAJ64A	RM	ZM	64.0	71.10	78.60	1	103.0	3.9	1
SMAJ70	RN	ZN	70.0	77.80	95.10	1	125.0	3.2	1
SMAJ70A	RP	ZP	70.0	77.80	86.00	1	113.0	3.5	1
SMAJ75	RQ	ZQ	75.0	83.30	102.00	1	134.0	3.0	1
SMAJ75A	RR	ZR	75.0	83.30	92.10	1	121.0	3.3	1
SMAJ78	RS	ZS	78.0	86.70	106.00	1	139.0	2.9	1
SMAJ78A	RT	ZT	78.0	86.70	95.80	1	126.0	3.2	1
SMAJ80	RA	ZA	80.0	88.96	108.80	1	143.2	2.8	1
SMAJ80A	RB	ZB	80.0	88.80	97.60	1	129.6	3.1	1
SMAJ85	RU	ZU	85.0	94.40	115.00	1	151.0	2.7	1
SMAJ85A	RV	ZV	85.0	94.40	104.00	1	137.0	2.9	1
SMAJ90	RW	ZW	90.0	100.00	122.00	1	160.0	2.5	1
SMAJ90A	RX	ZX	90.0	100.00	111.00	1	146.0	2.7	1
SMAJ100	RY	ZY	100.0	111.00	136.00	1	179.0	2.2	1
SMAJ100A	RZ	ZZ	100.0	111.00	123.00	1	162.0	2.5	1
SMAJ110	SD	VD	110.0	122.00	149.00	1	196.0	2.0	1
SMAJ110A	SE	VE	110.0	122.00	135.00	1	177.0	2.3	1
SMAJ120	SF	VF	120.0	133.00	163.00	1	214.0	1.9	1
SMAJ120A	SG	VG	120.0	133.00	147.00	1	193.0	2.1	1
SMAJ130	SH	VH	130.0	144.00	176.00	1	231.0	1.7	1
SMAJ130A	SK	VK	130.0	144.00	159.00	1	209.0	1.9	1

TYPICAL DEVICE CHARACTERISTICS

ELECTRICAL CHARACTERISTICS PER LINE @ 25°C Unless Otherwise Specified

PART NUMBER (Notes 1-3)	DEVICE MARKING		REVERSE STAND-OFF VOLTAGE V_{RWM} VOLTS	BREAKDOWN VOLTAGE $V_{(BR)} @ I_T$ VOLTS		TEST CURRENT @ I_T mA	MAXIMUM CLAMPING VOLTAGE (Fig. 2) @ I_p V_c VOLTS	MAXIMUM REVERSE SURGE CURRENT @ I_{PP} AMPS	MAXIMUM REVERSE LEAKAGE CURRENT @ V_{RWM} I_R μA
	UNI	BI		MIN	MAX				
	SMAJ140	SA	VA	140.0	155.68	190.40	1	250.6	1.6
SMAJ140A	SB	VB	140.0	155.00	171.00	1	226.8	1.7	1
SMAJ150	SL	VL	150.0	167.00	204.00	1	268.0	1.5	1
SMAJ150A	SM	VM	150.0	167.00	185.00	1	243.0	1.7	1
SMAJ160	SN	VN	160.0	178.00	218.00	1	287.0	1.4	1
SMAJ160A	SP	VP	160.0	178.00	197.00	1	259.0	1.5	1
SMAJ170	SQ	VQ	170.0	189.00	231.00	1	304.0	1.3	1
SMAJ170A	SR	VR	170.0	189.00	209.00	1	275.0	1.5	1
SMAJ180	SS	VS	180.0	200.16	244.80	1	322.2	1.2	1
SMAJ180A	ST	VT	180.0	200.00	220.00	1	291.6	1.4	1
SMAJ190	SU	VU	190.0	211.28	258.40	1	340.1	1.2	1
SMAJ190A	SV	VV	190.0	211.00	232.00	1	307.8	1.3	1
SMAJ200A	SW	VW	200.0	224.00	247.00	1	324.0	1.2	1
SMAJ220A	SX	VX	220.0	246.00	272.00	1	356.0	1.1	1
SMAJ250A	SZ	VZ	250.0	279.00	309.00	1	405.0	1.0	1
SMAJ300A	DE	HE	300.0	335.00	371.00	1	486.0	0.8	1
SMAJ350A	DG	HG	350.0	391.00	432.00	1	567.0	0.7	1
SMAJ400A	DK	HK	400.0	447.00	494.00	1	648.0	0.6	1
SMAJ440A	DM	HM	440.0	492.00	543.00	1	713.0	0.6	1

NOTE

1. Suffix 'A' denotes 5% tolerance, without 'A' denotes 10% tolerance.
2. Add suffix 'C' or 'CA' after part number to specify a bidirectional device.
3. For bidirectional devices having a V_{RWM} of 10 Volts and under, the I_R limit is double.

TYPICAL DEVICE CHARACTERISTICS

FIGURE 1
PEAK PULSE POWER VS PULSE TIME

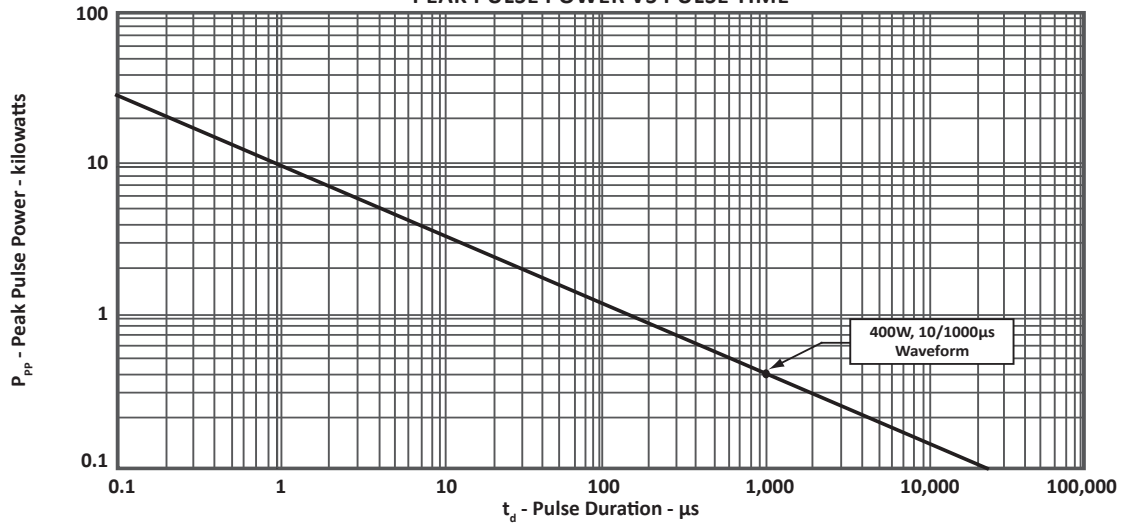


FIGURE 2
PULSE WAVEFORM

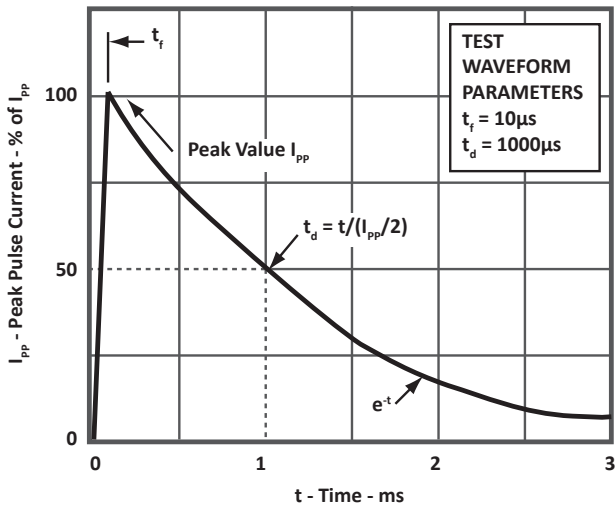
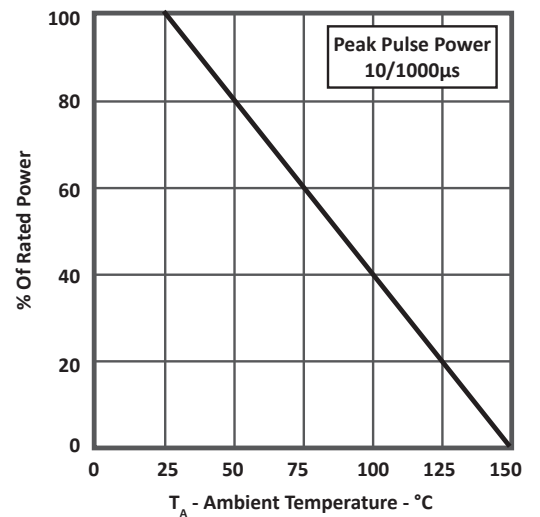


FIGURE 3
POWER DERATING CURVE



TYPICAL DEVICE CHARACTERISTICS

FIGURE 4
TYPICAL JUNCTION CAPACITANCE

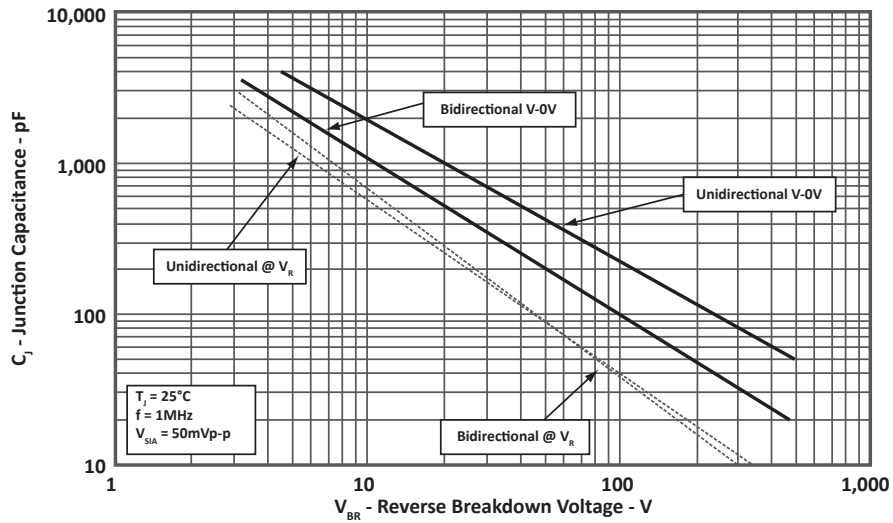


FIGURE 5
MAXIMUM NON-REPETITIVE FORWARD SURGE CURRENT

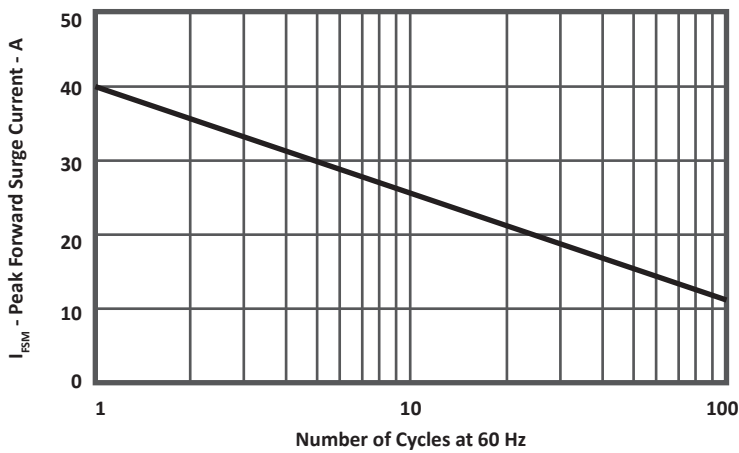
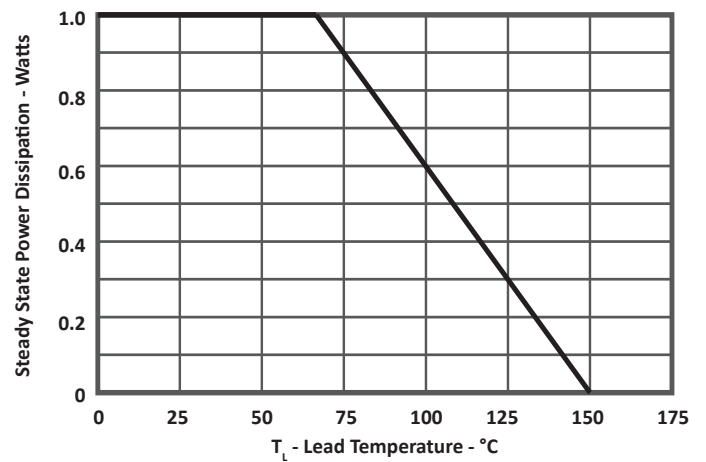


FIGURE 6
STEADY STATE POWER DERATING CURVE



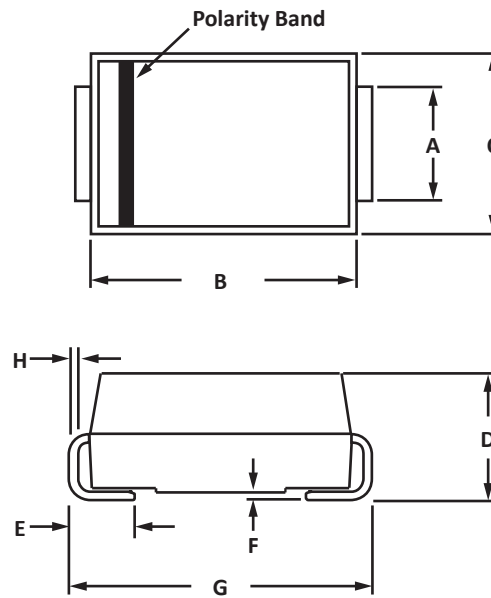
DO-214AC PACKAGE INFORMATION

OUTLINE DIMENSIONS

DIM	MILLIMETERS		INCHES	
	MIN	MAX	MIN	MAX
A	1.23	1.63	0.049	0.064
B	4.10	4.55	0.162	0.179
C	2.51	2.76	0.099	0.109
D	1.96	2.26	0.077	0.089
E	0.75	1.51	0.03	0.06
F	0.00	0.20	0.000	0.008
G	4.87	5.22	0.192	0.206
H	0.15	0.30	0.006	0.012

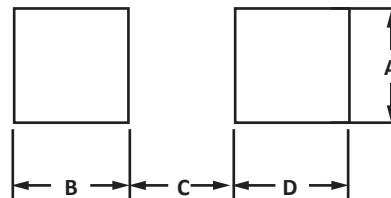
NOTES

1. Dimensions are exclusive of mold flash and metal burrs.

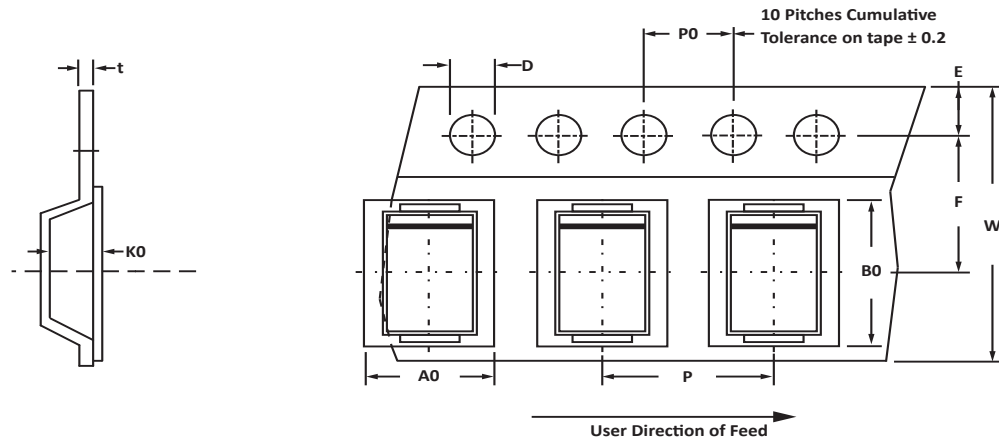


PAD LAYOUT DIMENSIONS

DIM	MILLIMETERS		INCHES	
	MIN	MAX	MIN	MAX
A	1.57	-	0.062	-
B	1.55	-	0.061	-
C	-	2.28	-	0.090
D	1.55	-	0.061	-



TAPE AND REEL



SPECIFICATIONS

REEL DIA.	TAPE WIDTH	A0	B0	K0	D	E	F	W	P0	P	tmax
330mm (13")	12mm	2.79 ± 0.10	5.33 ± 0.10	2.36 ± 0.10	1.55 ± 0.10	1.75 ± 0.10	5.5 ± 0.05	12.00 ± 0.30	4.00 ± 0.10	4.00 ± 0.10	0.4

NOTES

- Dimensions are in millimeters.
- Surface mount product is taped and reeled in accordance with EIA-481.
- Suffix - T13 = 13" Reel - 7,500 pieces per 12mm tape.
- Marking on Part - marking code (see page 2), date code, logo and cathode defined by polarity band.

ORDERING INFORMATION

BASE PART NUMBER (Voltage = xx)	LEADFREE SUFFIX	TAPE SUFFIX	QTY/REEL	REEL SIZE	TUBE QTY
SMAJxx	N/A	-T13	7,500	13"	N/A
SMAJxxA	N/A	-T13	7,500	13"	N/A
SMAJxxC	N/A	-T13	7,500	13"	N/A
SMAJxxCA	N/A	-T13	7,500	13"	N/A

This device is only available in a Lead-Free configuration.

COMPANY INFORMATION

COMPANY PROFILE

In business more than 20 years, ProTek Devices™ is a privately held semiconductor company. The company offers a product line of overvoltage protection and overcurrent protection components. These include transient voltage suppressor array (TVS arrays) avalanche breakdown diode, steering diode TVS array and electronics SMD chip fuses. These components deliver circuit protection in electronic systems from numerous overvoltage and overcurrent events. They include lightning; electrostatic discharge (ESD); nuclear electromagnetic pulses (NEMP); inductive switching; and electromagnetic interference (EMI) / radio frequency interference (RFI). ProTek Devices also offers high performance interface and linear products. They include analog switches; multiplexers; LED drivers; LED wafer die for ESD protection; audio control ICs; RF and related high frequency products.

CONTACT US

Corporate Headquarters

2929 South Fair Lane
Tempe, Arizona 85282
USA

By Telephone

General: 602-431-8101
Sales: & Marketing: 602-414-5109
Customer Service: 602-414-5114
Product Technical Support: 602-414-5107

By Fax

General: 602-431-2288

By E-mail:

Asia Sales: asiasales@protekdevices.com
Europe Sales: europesales@protekdevices.com
U.S. Sales: ussales@protekdevices.com
Distributor Sales: distysales@protekdevices.com
Customer Service: service@protekdevices.com
Technical Support: support@protekdevices.com

ProTek Devices (Asia Pacific) Pte. Ltd.

8 Ubi Road 2, #06-19
Zervex
Singapore - 408538
Tel: +65-67488312
Fax: +65-67488313

Web

www.protekdevices.com

COPYRIGHT © ProTek Devices 2013 - This literature is subject to all applicable copyright laws and is not for resale in any manner.

SPECIFICATIONS: ProTek reserves the right to change the electrical and or mechanical characteristics described herein without notice.

DESIGN CHANGES: ProTek reserves the right to discontinue product lines without notice and that the final judgement concerning selection and specifications is the buyer's and that in furnishing engineering and technical assistance. ProTek assumes no responsibility with respect to the selection or specifications of such products. ProTek makes no warranty, representation or guarantee regarding the suitability of its products for any particular purpose, nor does ProTek assume any liability arising out of the application or use of any product or circuit and specifically disclaims any and all liability without limitation special, consequential or incidental damages.

LIFE SUPPORT POLICY: ProTek Devices products are not authorized for use in life support systems without written consent from the factory.