

# Soldering type 15-contacts female connector with a housing for cables

## RMC-E15F4S-LC5-M( ) ( )

For mobile interfaces

Vertical Housing for Cables

Soldering

Conforming to PCMCIA/JEITA



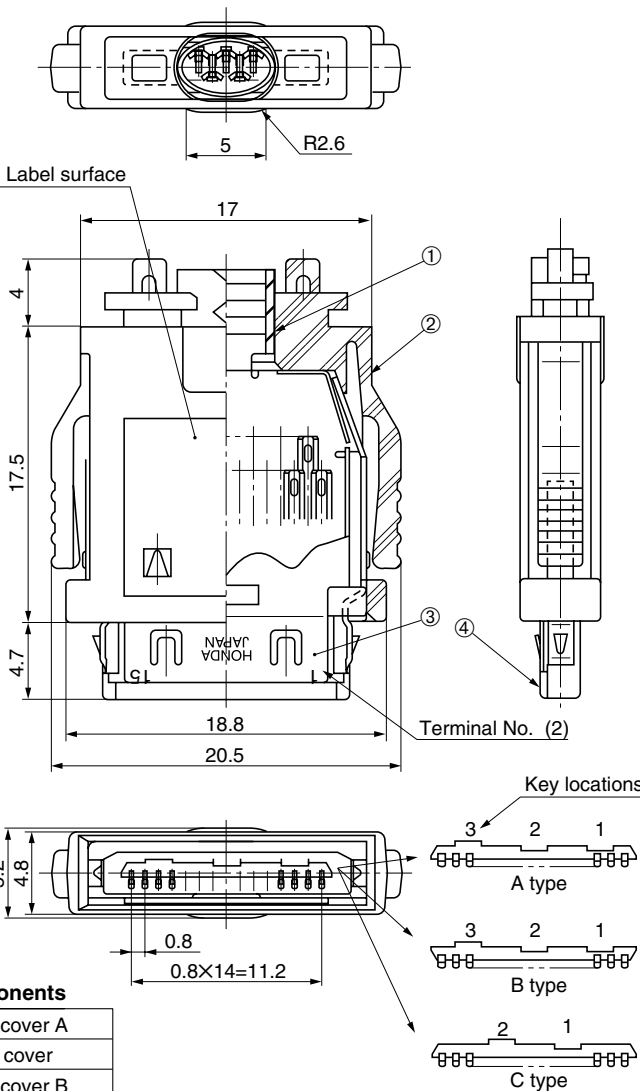
● Configuration of product Part No.

### RMC- E 15 F4S- LC5- M ( ) ( )

① ② ③ ④ ⑤ ⑥ ⑦ ⑧

- ① Series name
- ② E: EMI-filtered
- ③ No. of contacts: 15
- ④ F4S: Soldering type, female, for thin wire (AWG#30, #32)
- ⑤ LC5: Forms of housings, Outside diameter of cable is 3 - 3.5 mm.
- ⑥ M: Forms of keys are one-piece mold types.
- ⑦ Form of polarization keys:  
A: A type, B: B type, C: C type  
Locations of polarization keys:  
12: 12, 13: 13, 23: 23, Key-less  
(C type: 1: 1, 2: 2, 12: 12, Key-less)
- ⑧ Insulator colors  
Applicable only to models with the MB form of key (For the models with other key forms, these insulator colors are all black.)  
None: Brown (standard)  
BK : Black

	Forms of keys
A type	
B type	
C type	



● Components

①	Metal cover A
②	Cable cover
③	Metal cover B
④	Female connector

- Use of AWG#28 or #30 is recommended. (For use of other AWG#, consult the dealer.)
- After soldering, cover the soldered area with insulation such as shrink tube.
- The outside diameters of the cables are shown here only for reference. This model may be not applicable to some type of cables.
- The color of the housing is black.
- This model requires a bushing for assembly with a cable harness. For the form of the bussing area, because there is reference figure, inquire.
- Some models may not be quickly supplied depending on the configuration of part number (key position). For the availability of the model required consult your supplier.

● Locations of polarization keys

Part No.	Key location	Identification Examples	Mating connectors
RMC-E15F4S-LC5-M( )	—	A	RMC-E(A)15MY-OM( )-M( ), etc.
RMC-E15F4S-LC5-M( )12	12	A12	RMC-E(A)15MY-OM( )-M( )3, etc.
RMC-E15F4S-LC5-M( )23	23	A23	RMC-E(A)15MY-OM( )-M( )1, etc.
RMC-E15F4S-LC5-M( )13	13	A13	RMC-E(A)15MY-OM( )-M( )2, etc.