

# HK NATER TECH LIMITED

## NT-UM12BT-8188EUS模块 承认书

客户名称

**Customer:** \_\_\_\_\_

样品名称

**Description:** NT-UM12BT-8188EUS 模块 V1.0

客户料号

**Customer P/N:** \_\_\_\_\_

日期

**Date:** \_\_\_\_\_

客户栏 Customer		
核准Approve	审核Auditing	承认Admit

供应商栏 Provider		
核准Approve	审核Auditing	承认Admit

客户名称:

公司地址:

电话:

传真:

联系人:

E-mail:

供方名称: HK NATER TECH LIMITED

公司地址: 深圳市宝安区宝民二路贤基大厦2楼

电话: 0755-61522172/13510620050

传真: 0755-61522171

联系人: 王先生

E-mail: hsdgood@163.com

尊敬的客户: 请收到我公司样品承认书三日内传首页, 谢谢!

# **NT-UM12BT**

## **Product Specifications**

**WLAN 11b/g/n USB module (1T1R)**

**Version: V1.0**

# Overview

UM12BT is a WLAN 11n USB module, which fully supports the features and

Functional compliance of IEEE 802.11n,e and i standards. It supports up to

150Mbps high-speed wireless network connections.

It is designed to provide excellent performance with low power Consumption and enhance the advantages of robust system and cost-effective.

It is targeted at competitive superior performance, better power Management applications.

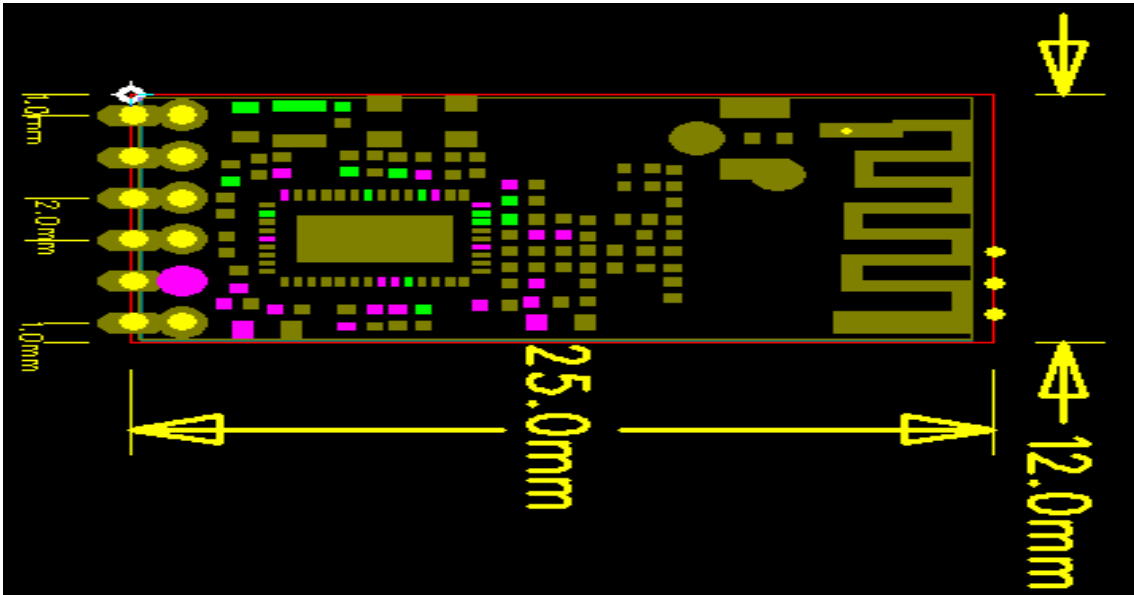
# Features

- \* Operates in 2.4 GHz frequency bands
- \* 1x1 MIMO technology improves effective throughput and range existing 802.11 b/g products
- \* Data rates: up to 150Mbps
- \* 802.11e-compatible bursting and I standards
- \* BPSK, QPSK, 16 QAM, 64 QAM modulation schemes
- \* WEP, TKIP, and AES, WPA, WPA2 hardware encryption schemes

# General Specification

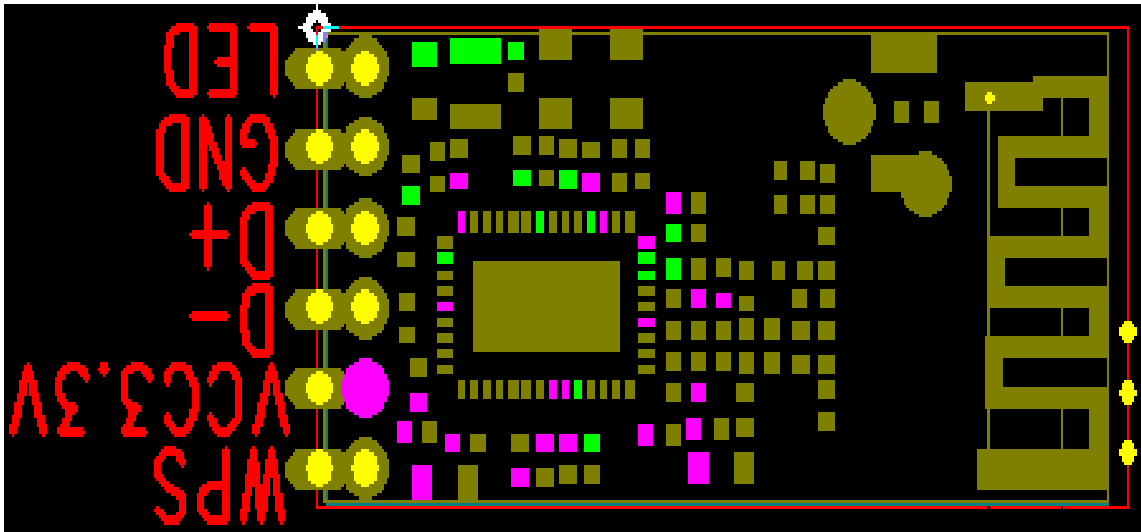
Model	NT-UM12BT
Product Name	WLAN 11n USB module
Major Chipset	Realtek RTL8188EUS
Standard	802.11b/g/n, 802.3, 802.3u
Data Transfer Rate	1,2,5.5,6,11,12,18,22,24,30,36,48,54,60,90,120 and maximum of 150Mbps
Modulation Method	BPSK/ QPSK/ 16-QAM/ 64-QAM
Frequency Band	2.4 ~ 2.4835 GHz ISM Band
Spread Spectrum	IEEE 802.11b: DSSS (Direct Sequence Spread Spectrum) IEEE 802.11g/n:OFDM (Orthogonal Frequency Division Multiplexing)
RF Output Power	< 13dBm@11n,< 18dBm@11b,< 14dBm@11g
Operation Mode	Ad hoc, Infrastructure
Receiver Sensitivity	11Mbps -85dBm@8%,54Mbps -72dBm@10%,130Mbps -66dBm@10%
Operation Range	Up to 180 meters in open space
LED	
OS Support	Windows 2000,XP32-64,Vista 32/64,Win7 32/64,Linux,Mac, Android, WIN CE
Security	WEP, TKIP, AES, WPA, WPA2
Interface	USB 2.0
Power Consumption	DC3.3V Power consumption in the normal Internet access in the 80mA
Operating Temperature	-10 ~ 60°C ambient temperature
Storage Temperature	-10 ~ 70°C ambient temperature
Humidity	5 to 90 % maximum (non-condensing)
Dimension	25 x 12 x 1.6mm (LxWxH) +-0.2MM

# Dimensions

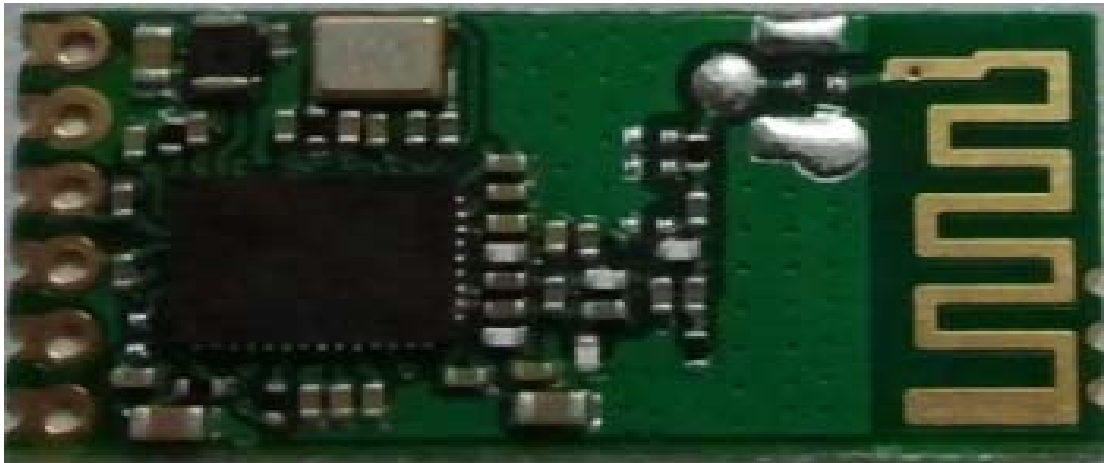


The PCB tolerances within + / -0.2 or so

# PIN Definition



# Physical map



## Power Consumption

Parameters	Sym	Conditions	Min	Typ	Max	Unit
3.3V Supply Voltage	Vc33		3.1	3.3	3.5	V
1.5V Supply Voltage	Vc15		1.4	1.5	1.6	V
<b>Receiving Tests the biggest receive</b>						
3.3V Current Consumption	Icc33rx	H40MCS7		65		MA
3.3V Current Consumption	Icc33rx	OFDM 54M		70		MA
<b>Transmission Biggest transmission test</b>						
3.3V Current Consumption	Icc33tx	H40 MCS7		80		MA
3.3V Current Consumption	Icc33tx	OFDM 54M		85		MA
<b>The depth waits for an opportunity</b>	Icc33tx/rx			2		MA
<b>Deep sleep</b>	Ic33tx/rx			2		MA

## DC Characteristics

Symbol	Parameter	Minimum	Typical	Maximum	Units
VD33A, VD33D	3.3V I/O Supply Voltage	3.1	3.3	3.5	V
VD15A, VD15D	1.5V Supply Voltage	1.4	1.5	1.6	V
IDD33	3.3V Rating Current	-	-	400	mA

## External antenna reference design

此部分需要做50R的单线阻抗

layout走线请走弧型线或直线

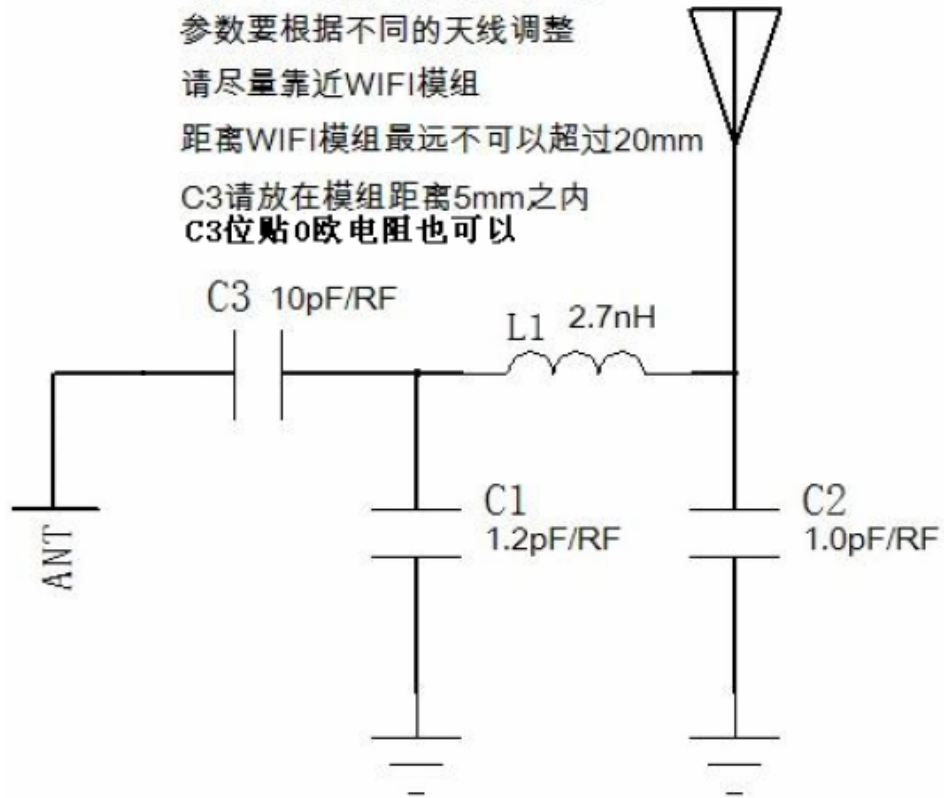
参数要根据不同的天线调整

请尽量靠近WIFI模组

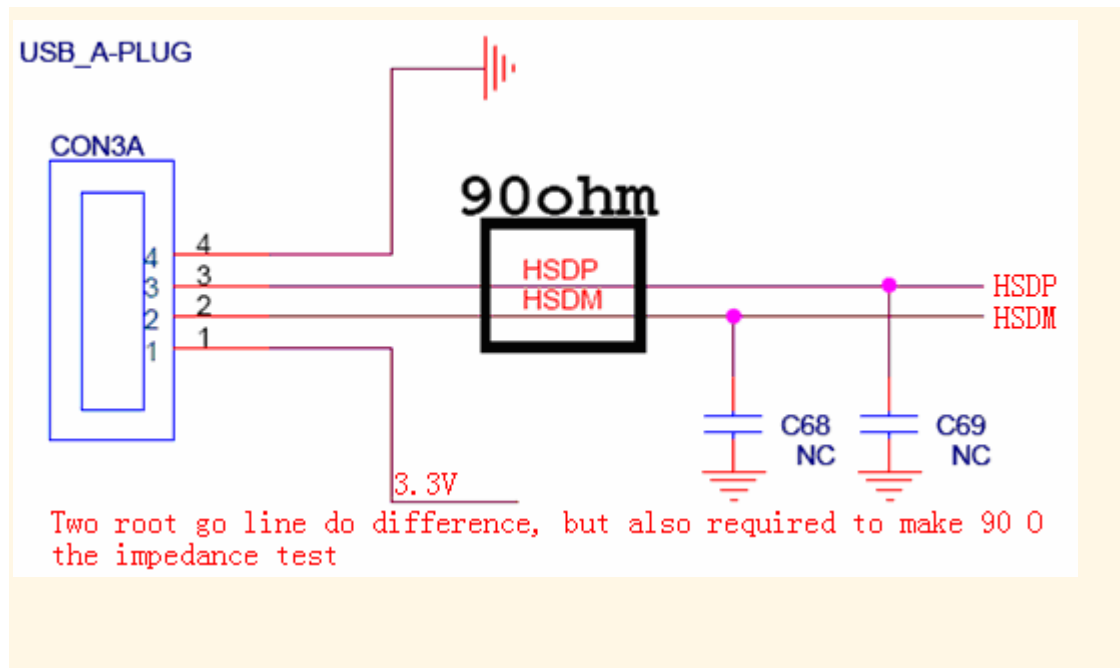
距离WIFI模组最远不可以超过20mm

C3请放在模组距离5mm之内

C3位贴0欧电阻也可以



## USB interface electrical characteristics



### 贴片 WIFI 模块装机的前注意事项

- 1、客户在开钢网时一定要将 WIFI 模块焊盘的孔开大，请按 1 比 1 再向外扩大 0.7Mm 比例来开，厚度按 0.12Mm。
- 2、WIFI 模块在上线贴片前一定要烘烤 12 小时以上，温度在 120 度 +-5 度。
- 3、烘烤 OK 后建议马上上线，不要一烘烤 OK 后就将全部 WIFI 模块拿出烘烤箱。建议每小时贴多少拿多少出来。
- 4、有需要拿 WIFI 模时一定要不要光着手去拿 WIFI 模块，一定要戴上手套及静电环。
- 5、过炉温度要根据客户主板的大小而定，一般像贴在平板电脑上 250+-5 度。