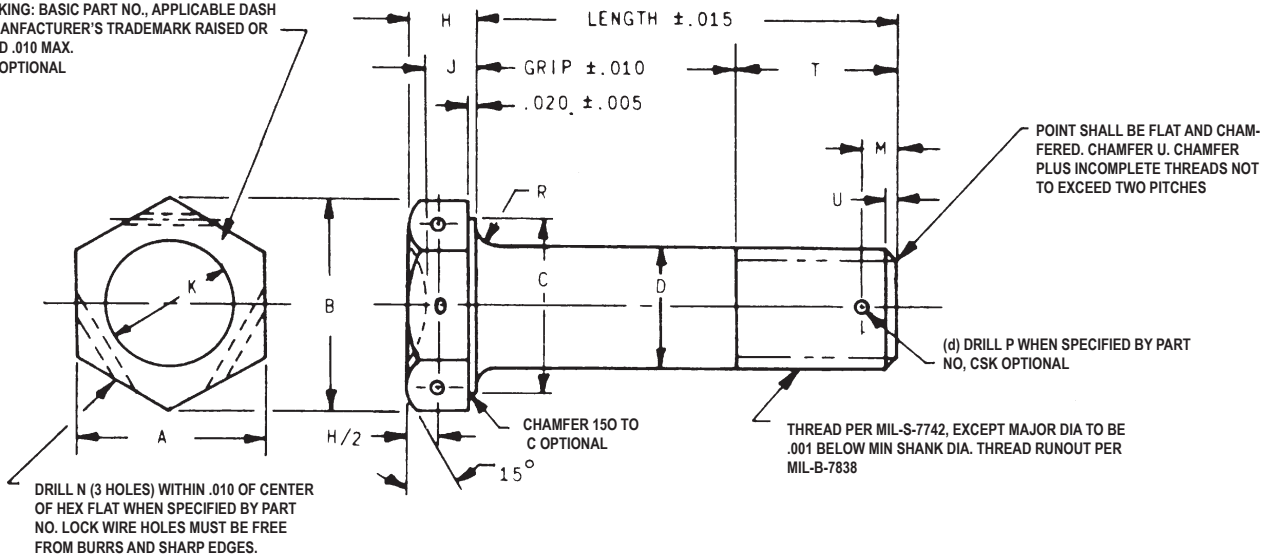


NAS 1303 - NAS 1316 Series Specifications

Bolt, Hex Head, Close Tolerance

160,000 PSI Tensile

HEAD MARKING: BASIC PART NO., APPLICABLE DASH NO., AND MANUFACTURER'S TRADEMARK RAISED OR DEPRESSED .010 MAX. LOCATION OPTIONAL



Basic Part Number	Thread	A	B REF	C MIN	D Diameter		H +.015 -.000	J +.015 -.000	K DIA ±.010	M ±.010	N DIA +.010 -.000	P (d) DIA +.010 -.000	R RAD	T REF	U REF
					Before Plate	After Plate									
NAS1303	#10-32 UNF-3A	.376 .367	0.43	0.359	.1887 .1881	.1895 .1885	0.110	0.073	0.190	0.163	0.046	0.070	.020 .010	0.338	0.016
NAS1304	1/4-28 UNF-3A	.439 .430	0.51	0.422	.2487 .2481	.2495 .2485	0.125	0.083	0.250	0.178	0.046	0.076	.020 .010	0.425	0.018
NAS1305	5/16-24 UNF-3A	.502 .492	0.58	0.484	.3112 .3106	.3120 .3110	0.156	0.104	0.310	0.181	0.070	0.076	.020 .010	0.469	0.021
NAS1306	3/8-24 UNF-3A	.564 .553	0.65	0.547	.3737 .3731	.3745 .3735	0.188	0.125	0.380	0.197	0.070	0.106	.025 .015	0.578	0.021
NAS1307	7/16-20 UNF-3A	.690 .679	0.79	0.672	.4362 .4356	.4370 .4360	0.219	0.146	0.440	0.201	0.070	0.106	.025 .015	0.594	0.025
NAS1308	1/2-20 UNF-3A	.752 .741	0.87	0.734	.4987 .4981	.4995 .4985	0.250	0.167	0.500	0.216	0.070	0.106	.030 .020	0.735	0.025
NAS1309	9/16-18 UNF-3A	.877 .865	1.01	0.859	.5607 .5601	.5616 .5605	0.281	0.188	0.560	0.218	0.070	0.141	.035 .020	0.840	0.028
NAS1310	5/8-18 UNF-3A	.940 .928	1.09	0.922	.6232 .6226	.6240 .6230	0.312	0.208	0.620	0.249	0.070	0.141	.040 .025	0.902	0.028
NAS1312	3/4-16 UNF-3A	1.064 1.052	1.23	1.047	.7482 .7476	.7490 .7480	0.375	0.250	0.750	0.252	0.070	0.141	.045 .030	1.041	0.031
NAS1314	7/8-14 UNF-3A	1.252 1.239	1.44	1.234	.8732 .8726	.8740 .8730	0.438	0.292	0.880	0.257	0.070	0.141	.050 .035	1.184	0.036
NAS1316	1-12 UNF-3A	1.440 1.427	1.66	1.422	.9982 .9976	.9990 .9980	0.500	0.333	1.000	0.264	0.070	0.141	.060 .045	1.309	0.042

NAS 1303 - NAS 1316 (Length ± .015)

Dash No.	Grip ± .010	NAS 1303	NAS 1304	NAS 1305	NAS 1306	NAS 1307	NAS 1308	NAS 1309	NAS 1310	NAS 1312	NAS 1314	NAS 1316
1	.062	.400	.487	.531	.640	.656	.797	.902	.964	1.103	1.246	1.371
2	.125	.463	.550	.594	.703	.719	.860	.965	1.027	1.166	1.309	1.434
3	.188	.526	.613	.657	.766	.782	.923	1.028	1.090	1.229	1.372	1.497
4	.250	.588	.675	.719	.828	.844	.985	1.090	1.152	1.291	1.434	1.559
5	.312	.650	.737	.781	.890	.906	1.047	1.152	1.214	1.353	1.496	1.621
6	.375	.713	.800	.844	.953	.969	1.110	1.215	1.277	1.416	1.559	1.684
7	.438	.776	.863	.907	1.016	1.032	1.173	1.278	1.340	1.479	1.622	1.747
8	.500	.838	.925	.969	1.078	1.094	1.235	1.340	1.402	1.541	1.684	1.809
9	.562	.900	.987	1.031	1.140	1.156	1.297	1.402	1.464	1.603	1.746	1.871
10	.625	.963	1.050	1.094	1.203	1.219	1.360	1.465	1.527	1.666	1.809	1.934
11	.688	1.026	1.113	1.157	1.266	1.282	1.423	1.528	1.590	1.729	1.872	1.997
12	.750	1.088	1.175	1.219	1.328	1.344	1.485	1.590	1.652	1.791	1.934	2.059
13	.812	1.150	1.237	1.281	1.390	1.406	1.547	1.652	1.714	1.853	1.996	2.121
14	.875	1.213	1.300	1.344	1.453	1.469	1.610	1.715	1.777	1.916	2.059	2.184
15	.938	1.276	1.363	1.407	1.516	1.532	1.673	1.778	1.840	1.979	2.122	2.247
16	1.000	1.338	1.425	1.469	1.578	1.594	1.735	1.840	1.902	2.041	2.184	2.309
17	1.062	1.400	1.487	1.531	1.640	1.656	1.797	1.902	1.964	2.103	2.246	2.371
18	1.125	1.463	1.550	1.594	1.703	1.719	1.860	1.965	2.027	2.166	2.309	2.434
19	1.188	1.526	1.613	1.657	1.766	1.782	1.923	2.028	2.090	2.229	2.372	2.497
20	1.250	1.588	1.675	1.719	1.828	1.844	1.985	2.090	2.152	2.291	2.434	2.559
21	1.312	1.650	1.737	1.781	1.890	1.906	2.047	2.152	2.214	2.353	2.496	2.621
22	1.375	1.713	1.800	1.844	1.953	1.969	2.110	2.215	2.277	2.416	2.559	2.684
23	1.438	1.776	1.863	1.907	2.016	2.032	2.173	2.278	2.340	2.479	2.622	2.747
24	1.500	1.838	1.925	1.969	2.078	2.094	2.235	2.340	2.402	2.541	2.684	2.809
25	1.562	1.900	1.987	2.031	2.140	2.156	2.297	2.402	2.464	2.603	2.746	2.871
26	1.625	1.963	2.050	2.094	2.203	2.219	2.360	2.465	2.527	2.666	2.809	2.934
27	1.688	2.026	2.113	2.157	2.266	2.282	2.423	2.528	2.590	2.729	2.872	2.997
28	1.750	2.088	2.175	2.219	2.328	2.344	2.485	2.590	2.652	2.791	2.934	3.059
29	1.812	2.150	2.237	2.281	2.390	2.406	2.547	2.652	2.714	2.853	2.996	3.121
30	1.875	2.213	2.300	2.344	2.453	2.469	2.610	2.715	2.777	2.916	3.059	3.184
31	1.938	2.276	2.363	2.407	2.516	2.532	2.673	2.778	2.840	2.979	3.122	3.247
32	2.000	2.338	2.425	2.469	2.578	2.594	2.735	2.840	2.902	3.041	3.184	3.309
34	2.125	2.463	2.550	2.594	2.703	2.719	2.860	2.965	3.027	3.166	3.309	3.434
36	2.250	2.588	2.675	2.719	2.828	2.844	2.985	3.090	3.152	3.291	3.434	3.559
38	2.375	2.713	2.800	2.844	2.953	2.969	3.110	3.215	3.277	3.416	3.559	3.684
40	2.500	2.838	2.925	2.969	3.078	3.094	3.235	3.340	3.402	3.541	3.684	3.809
42	2.625	2.963	3.050	3.094	3.203	3.219	3.360	3.465	3.527	3.666	3.809	3.934
44	2.750	3.088	3.175	3.219	3.328	3.344	3.485	3.590	3.652	3.791	3.934	4.059
46	2.875	3.213	3.300	3.344	3.453	3.469	3.610	3.715	3.777	3.916	4.059	4.184
48	3.000	3.338	3.425	3.469	3.578	3.594	3.735	3.840	3.902	4.041	4.184	4.309
50	3.125	3.463	3.550	3.594	3.703	3.719	3.860	3.965	4.027	4.166	4.309	4.434
52	3.250	3.588	3.675	3.719	3.828	3.844	3.985	4.090	4.152	4.291	4.434	4.559
54	3.375	3.713	3.800	3.844	3.953	3.969	4.110	4.215	4.277	4.416	4.559	4.684
56	3.500	3.838	3.925	3.969	4.078	4.094	4.235	4.340	4.402	4.541	4.684	4.809
58	3.625	3.963	4.050	4.094	4.203	4.219	4.360	4.465	4.527	4.666	4.809	4.934
60	3.750	4.088	4.175	4.219	4.328	4.344	4.485	4.590	4.652	4.791	4.934	5.059
62	3.875	4.213	4.300	4.344	4.453	4.469	4.610	4.715	4.777	4.916	5.059	5.184
64	4.000	4.338	4.425	4.469	4.578	4.594	4.735	4.840	4.902	5.041	5.184	5.309
66	4.125	4.463	4.550	4.594	4.703	4.719	4.860	4.965	5.027	5.166	5.309	5.434
68	4.250	4.588	4.675	4.719	4.828	4.844	4.985	5.090	5.152	5.291	5.434	5.559
70	4.375	4.713	4.800	4.844	4.953	4.969	5.110	5.215	5.277	5.416	5.559	5.684
72	4.500	4.838	4.925	4.969	5.078	5.094	5.235	5.340	5.402	5.541	5.684	5.809
74	4.625	4.963	5.050	5.094	5.203	5.219	5.360	5.465	5.527	5.666	5.809	5.934
76	4.750	5.088	5.175	5.219	5.328	5.344	5.485	5.590	5.652	5.791	5.934	6.059
78	4.875	5.213	5.300	5.344	5.453	5.469	5.610	5.715	5.777	5.916	6.059	6.184
80	5.000	5.338	5.425	5.469	5.578	5.594	5.735	5.840	5.902	6.041	6.184	6.309
82	5.125	5.463	5.550	5.594	5.703	5.719	5.860	5.965	6.027	6.166	6.309	6.434
84	5.250	5.588	5.675	5.719	5.828	5.844	5.985	6.090	6.152	6.291	6.434	6.559
86	5.375	5.713	5.800	5.844	5.953	5.969	6.110	6.215	6.277	6.416	6.559	6.684
88	5.500	5.838	5.925	5.969	6.078	6.094	6.235	6.340	6.402	6.541	6.684	6.809
90	5.625	5.963	6.050	6.094	6.203	6.219	6.360	6.465	6.527	6.666	6.809	6.934
92	5.750	6.088	6.175	6.219	6.328	6.344	6.485	6.590	6.652	6.791	6.934	7.059
94	5.875	6.213	6.300	6.344	6.453	6.469	6.610	6.715	6.777	6.916	7.059	7.184
96	6.000	6.338	6.425	6.469	6.578	6.594	6.735	6.840	6.902	7.041	7.184	7.309