

Platinum temperature sensor in thin-film technology

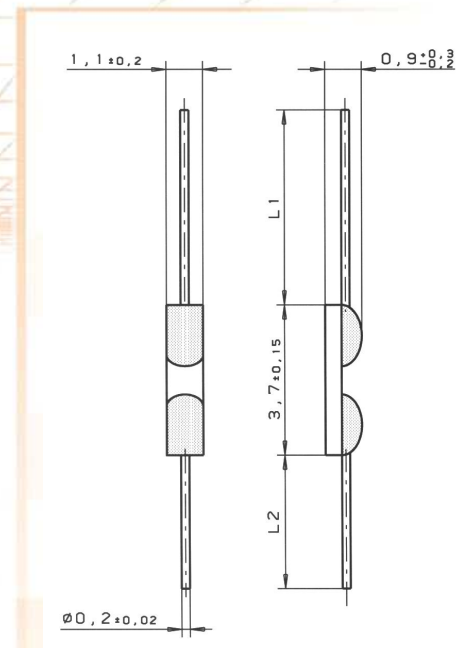
M 411 ax

M 411ax platinum temperature sensors have axial leads. They are characterized by their small design, short contact times, long-term stability and excellent precision over a wide temperature range and compatibility. They are typically used in the automotive, white goods, HVAC and energy generation industries as well as in medical and industrial appliances and machinery.

Nominal Resistance R0	Tolerance DIN EN 60751 1996-07	Tolerance DIN EN 60751 2009-05	Order Number Plastic Box
100 Ohm at 0°C	Class B	F 0.3	32 208 209

The measuring point for the nominal resistance is defined at 8/13 mm from the end of the sensor body

Specification	DIN EN 60751	
Temperature range	-70°C to +500°C (continuous operation) (temporary use to 550°C possible) Tolerance Class B: -70°C to +500°C	
Temperature coefficient	TCR = 3850 ppm/K	
Leads	Pt clad Ni- wire	
Lead lengths (L)	L1: 15mm ±1mm L2: 10mm ±1mm	
Vibration resistance	At least 40g acceleration at 10 to 2000 Hz, depends on installation	
Shock resistance	At least 100g acceleration with 8ms half sine wave, depends on installation	
Ambient conditions	Use unprotected only in dry environments	
Insulation resistance	> 100 MΩ at 20°C; > 2 MΩ at 500°C	
Self heating	0.4 K/mW at 0°C	
Contact time	Water current (v= 0.4m/s):	t _{0,5} = 0.06s t _{0,9} = 0.17s
	Air flow (v= 2m/s):	t _{0,5} = 3.0s t _{0,9} = 10.0s
Measuring current	100Ω: 0.3 to 1.0mA (self heating has to be considered)	
Note	Other tolerances, values of resistance and wire lengths are available on request.	



We reserve the right to make alterations and technical data printed. All technical data serves as a guideline and does not guarantee particular properties to any products.

Heraeus Sensor Technology USA

1901 Route 130
North Brunswick, NJ 08902
Phone 732-940-4400 Fax 732-940-4445
Email info.hst-us@heraeus.com
<http://heraeus-sensor-technology-us.com>

Name of document: 30910018 Index B
Status: 07/2011