

Microwave components
Circulators/isolators

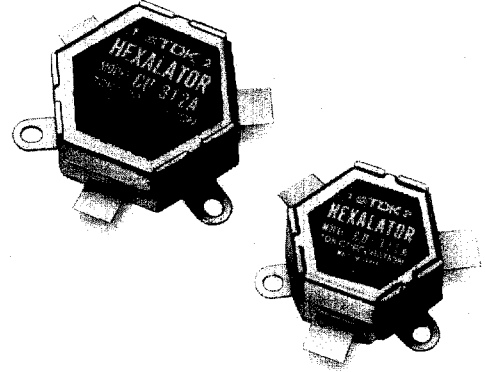
HEXALATORS

Circulators 0.1 to 1GHz

CU series

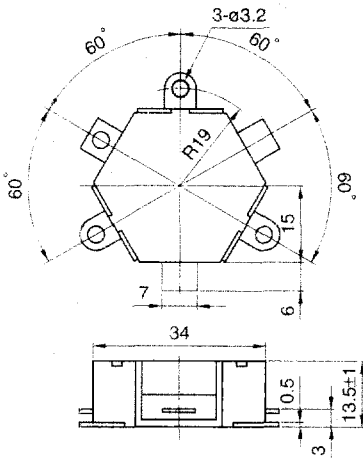
CU SERIES (HEXALATOR)

TDK Hexalators is that they can be tuned to any desired frequency within the specified band by connecting a simple matching circuit to each port or terminal of the Hexalator, as shown in Fig. 1. The Hexalator has relatively low impedance, so that it inherently performs in the high frequency region. It is small in physical size despite the high power capability.

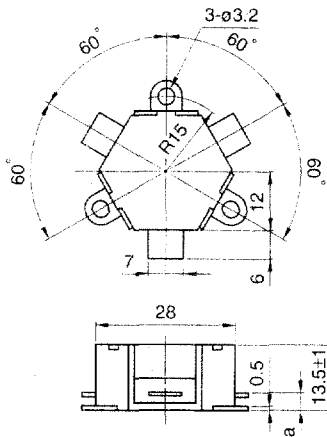


SHAPES AND DIMENSIONS

CU312A, CU322A



CU311A, CU321A, CU331A,
CU341A, CU351A



a:3 (CU311A/CU321A/CU331A)
a:2 (CU341A/CU351A)

Dimensions in mm

ELECTRICAL CHARACTERISTICS

Part No.	Frequency range (MHz)	Maximum handling power (W)	Isolation (dB)	Insertion loss (dB)	Weight (g)
CU311A	100 to 200	30	>20	<1	26
CU312A	100 to 200	50	>20	<1	44
CU321A	200 to 400	30	>20	<1	26
CU322A	200 to 400	50	>20	<1	44
CU331A	300 to 600	30	>20	<1	26
CU341A	450 to 800	30	>20	<1	26
CU351A	800 to 1000	20	>20	<1	26



Specifications which provide more details for the proper and safe use of the described product are available upon request.

All specifications are subject to change without notice.