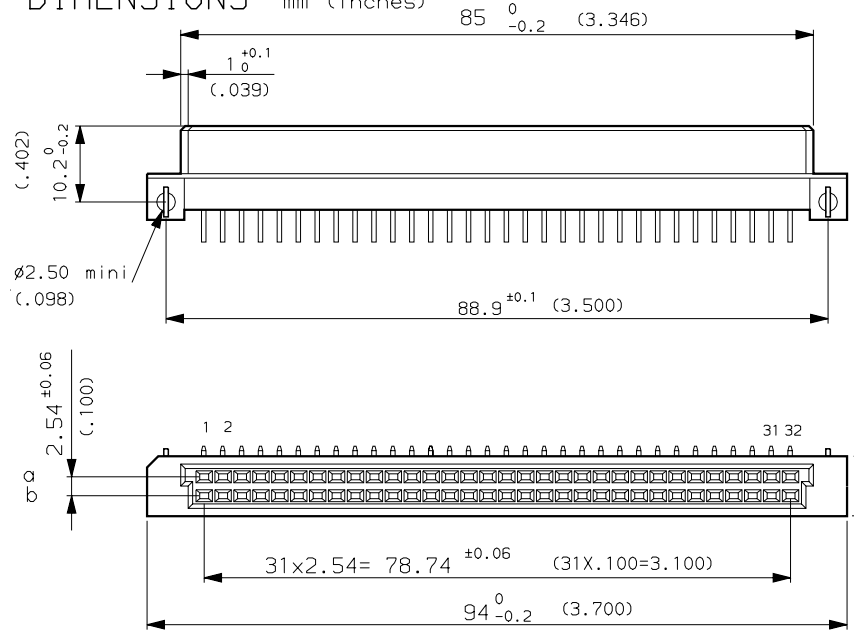


**DIMENSIONS** mm (inches)



**ELECTRICAL DATA**

- Current at AMB. 1.5 A at 20° C / 1 A at 70° C
- I max 2A
- Contact resistance <math>\leq 20\text{m}\Omega</math> according to DIN 41640 Teil 4 test 2a
- Insulation resistance >math>10^6\text{M}\Omega</math> according to DIN 41640 teil 7 test 3a
- TEST VOLTAGE according to DIN 41640 teil 1
- contact/contact 1000V eff (0.5 mA / 50 Hz)
- contact/ground 1550V eff (0.5 mA / 50 Hz)

**MECHANICAL DATA**

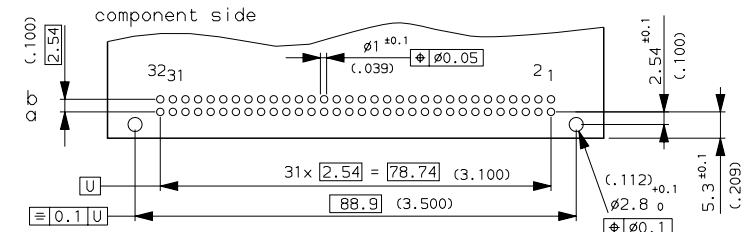
- Retention Force >math>20\text{N}</math> ( 4.5 lb ) per contact
- Insertion force 64 Cts : <math>\leq 60\text{N}</math> (13.55 lb) / 32 Cts : <math>\leq 30\text{N}</math> (6.8 lb)
- Withdrawal force 64 Cts : >math>9\text{N}</math> ( 2.05 lb ) / 32 Cts : >math>5\text{N}</math> ( 1.15 lb )
- Mechanical endurance class 1 500 matings unmatings according to DIN41640 teil 21
- class 2 400
- class 3 50
- Material insulator Polyester thermoplastic UL94V0
- Material contacts Phosphor bronze
- Finishing contact surface Gold over Nickel
- Finishing termination Tin Lead
- Material and plating harpoon Phosphor bronze - Tin Lead
- Solderability according to DIN 41640 teil 70 test 12a
- Shock <math>\leq 40\text{m}\Omega</math> according to DIN 41640 Teil 14 test 6c
- Vibration class 1 10-2000Hz/20g according to DIN 41640 Teil 15
- class 2 10-500Hz/5g

**ENVIRONMENTAL DATA**

- Climatic category According to DIN 41612
- Corrosion According to DIN 41612

**PERFORMANCES AS PER DIN 41612**

**PCB DRILLING**



PART NUMBER		8609		68		5-000-E2	
PIN OUT		rows a		rows a-b			
		1 - 32		2 - 64			
NUMBER OF CONTACTS							
TERMINATION		L = 2.75 ±0.15 (.108)				13	
OPTIONS		no option		with harpoons		7 H	
PERFORMANCE CLASS		DIN 41612 class 3		DIN 41612 class 2		DIN 41612 class 1	
						4 5 6	

b	14/02/96	delete notches for keys modification termination : section $\phi 0.65$ replace by diag. 0.79	--
ISS	DATE	Latest modification by : ROUILLARD	MOD N°
Designed by: ROUILLARD date 21/07/92		Type of drawing: CLIENT	
TITLE : RIGHT ANGLE FEMALE - STYLE Q SOLDER TO BOARD			SHEET 1/1
SCALE: 1.5			
		FRAMATOME CONNECTORS FRANCE Rue Louis Breguet - BP 05 72024 LE MANS Cedex Tel. 33 (16) 43.84.08.43	This document is the property of FRAMATOME CONNECTORS FRANCE It must not be reproduced or communicated without permission in writing from the owners
FORMAT	SOURIAU DRG N°		PROJECT
A3	C-8609-0293		D90D001