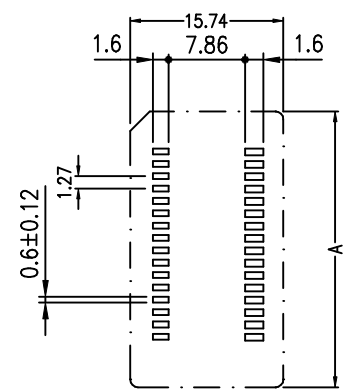
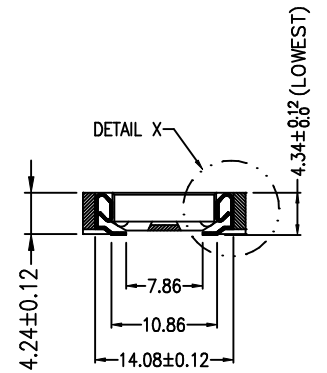
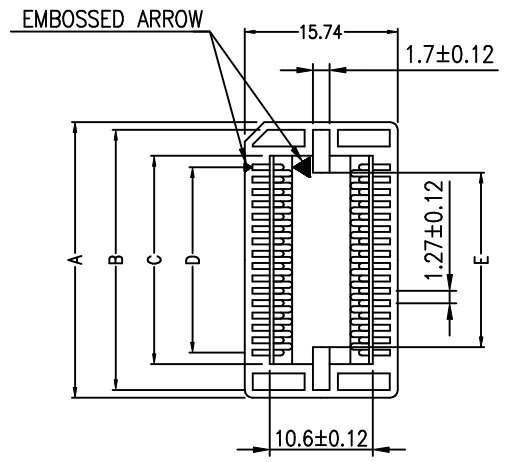
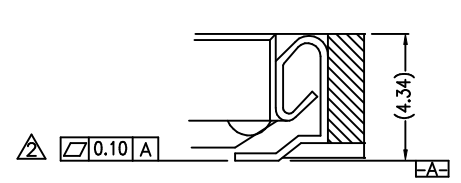


Tous droits strictement réservés. Reproduction ou communication à des tiers Int
 sous quelque forme que ce soit sans autorisation écrite du propriétaire.
 All rights strictly reserved. Reproduction or issue to third parties in any for
 whatever is not permitted without written authority from the proprietor.
 Copyright © BERG ELECTRONICS, INC.
 Copyright BERG ELECTRONICS BY

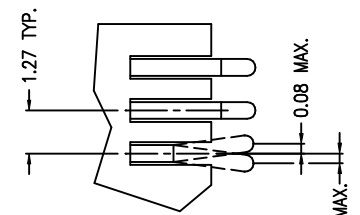
PRODUCT NO.
SEE NOTES



RECOMMENDED PCB LAYOUT



DETAIL X



NOTES:

- MATERIAL
 - * HOUSING : POLYPHENYLENE SULPHIDE (P.P.S) UL 94V-0.
 - * CONTACT AND FINISH : COPPER ALLOY; Min 150u' TIN-LEAD/PURE MATTE TIN OVER MIN 50 u' NICKLE UNDERPLATING.
- COPLANARITY: THE BOTTOM SURFACE OF ALL SOCKET LEAD FEET SHALL LIE WITHIN A ZONE DEFINED BY TWO PARALLEL PLANES SPACED 0.10 APART. THE THREE LOWEST LEAD FEET DEFINE THE DATUM PLANE. ALL OF THE LEAD FOOT PLANE SHOULD EXTEND BELOW THE INSULATOR.
- PERFORMANCE SPECIFICATION
 - * CONTACT CURRENT RATING : 1 AMP.
 - * CONTACT RESISTANCE : 20 MILLIOHMS MAX. AT DC 100 mA.
 - * INSULATION RESISTANCE 1000 MEGOHMS MIN. at DC 500V.
 - * DIELECTRIC WITHSTANDING VOLTAGE : AC 500V rms FOR 1 MINUTE.
 - * CONTACT RETENTION : 0.8 KGf MIN.
 - * TEMPERATURE RATING : -40°C TO +85°C.
 - * ORDERING DATA: 52465-X 0 XX XX

LEAD FREE
 CONTACT NUMBER
 PACKAGING
 T: TUBE
 P: TAPE & REEL
 S: TRAY

P/N	NO.OF CONTACTS	A	B	C	D	E
52465-X028	28	25.80	24.20	18.86	16.51	15.40
52465-X032	32	28.34	26.74	21.40	19.05	17.94
52465-X040	40	33.42	31.82	26.48	24.13	23.02
52465-X042	42	34.69	33.09	27.75	25.40	24.29
52465-X044	44	35.96	34.36	29.02	26.67	25.56

mat'l code		tolerance unless otherwise specified		CUSTOMER COPY		Electronics www.fciconnect.com	
rev	ecn no.	dr	date	linear	.0±0.40	projection	title
A	T00016	J. H	1/12/00		.00±0.20		1.27 PITCH
B	T04-0418	W.L	11/30/04		.000±0.10		SURFACE MOUNT SOJ SOCKET
				angles	± 3°	unit	product family
				dr	JASON HSU 1/12/00	mm/inch	code
				enqr	JASON HSU 1/12/00	scale	A
				chr	JENN TSAO 1/12/00	A3	size
				appd	LELAND WANG 1/12/00	52465	dwg no.
sheet	revision	B					sheet
index	sheet	1					1 of 1