

SPECIFICATIONS

HARD METRIC CONNECTOR

Mechanical

Mating Force: 0.75N max.
Unmating Force: 0.15N min.
Durability: 250 Cycles

2H Series

Plug Type F

2.0mm [.078"] Pitch

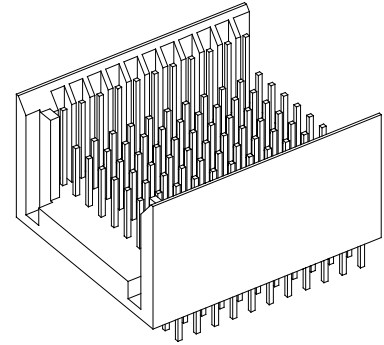
110 Pos. 11Column

Electrical

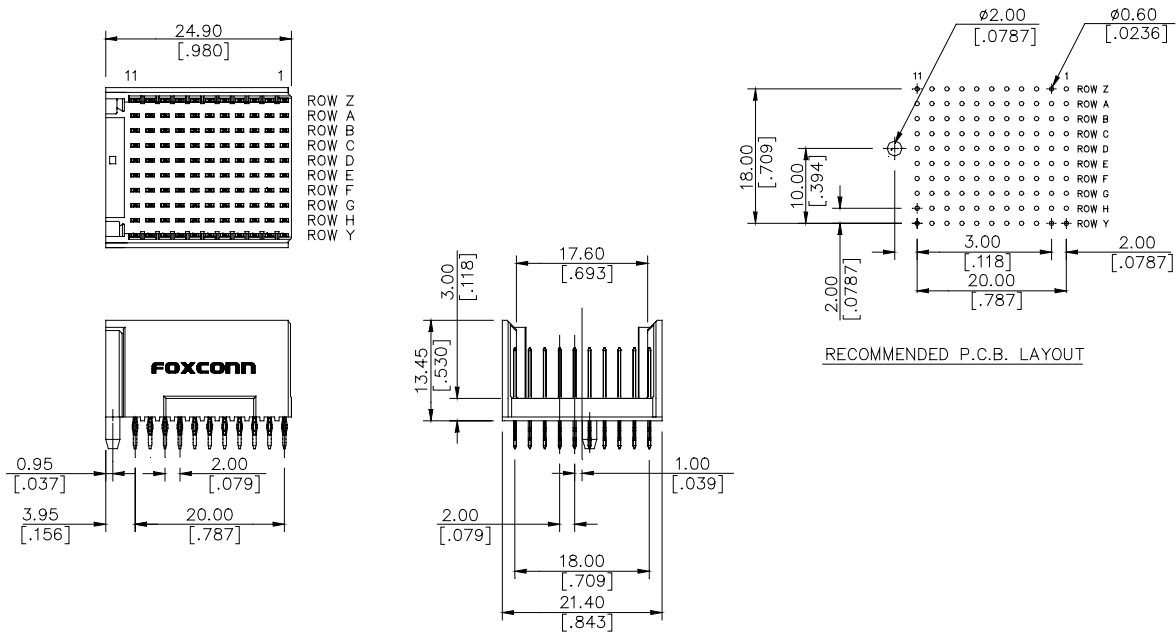
Voltage Rating: 500V
Current Rating: 1A
Contact Resistance: 20mΩ max.
Insulation Resistance: 10000MΩ min.

Physical

Housing: PBT UL 94V-0, Gray
Contact: Phosphor Bronze
Plating: See "ORDERING INFORMATION"



DRAWING



ORDERING INFORMATION

PRODUCT NO.: 2H1 * * * 1 * -PF * * *

ROW NO. 8=8 ROWS, A=8+2 ROWS
 COLUMN NO. 11=11 COLUMNS
 SELECTIVE PIN PATTERN
 TAIL LENGTH 2=3.3mm
 MATING AREA PLATING 3= 30u"

C	C	C	C	C	C	C	C	C	C	C
A	A	A	A	A	A	A	A	A	A	A
A	A	A	A	A	A	A	A	A	A	A
B	B	B	B	B	B	B	B	B	B	B
A	A	A	A	A	A	A	A	A	A	A
A	A	A	A	A	A	A	A	A	A	A
B	B	B	B	B	B	B	B	B	B	B
A	A	A	A	A	A	A	A	A	A	A
A	A	A	A	A	A	A	A	A	A	A
C	C	C	C	C	C	C	C	C	C	C