

# EPIC® Rectangular Connectors

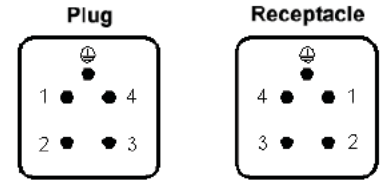
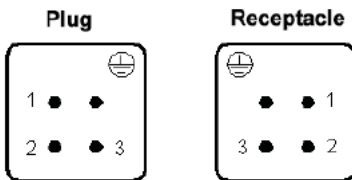
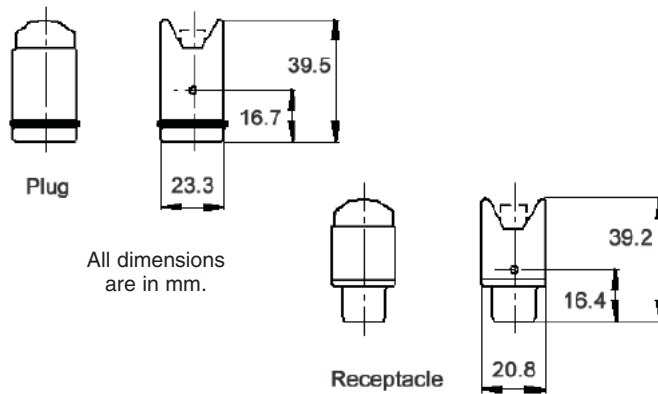


HA Plugs & Receptacles: Screw Terminated Inserts

## HA 3/4 Inserts

HA 3

HA 4



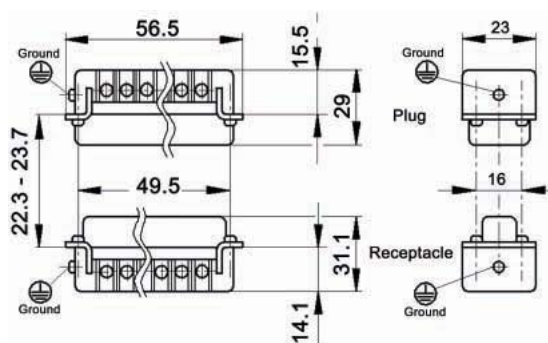
These inserts fit in the HA 3/4 Series Housings.

| Description | Plug     | Receptacle |
|-------------|----------|------------|
| HA 3        | 10420000 | 10421000   |
| HA 4        | 10431000 | 10432000   |

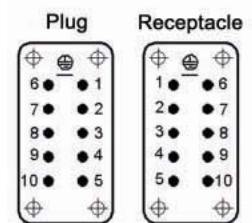


Coding Pin:  
10451200

## HA 10 Inserts



View from cable side



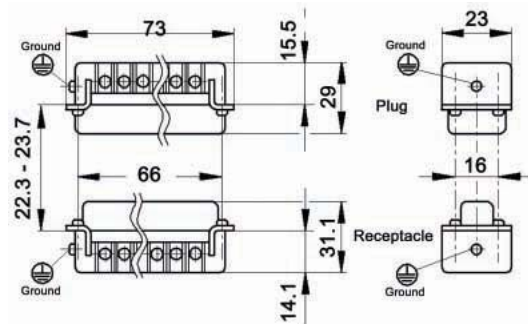
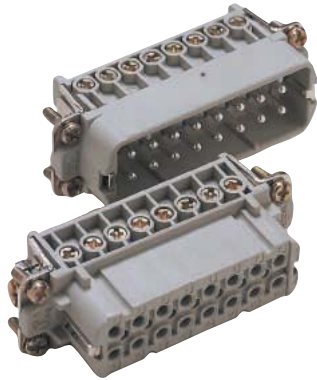
| Description                   | Plug     | Receptacle |
|-------------------------------|----------|------------|
| HA 10 with Wire Protection    | 10440100 | 10441100   |
| HA 10 without Wire Protection | 10440000 | 10441000   |

# EPIC® Rectangular Connectors

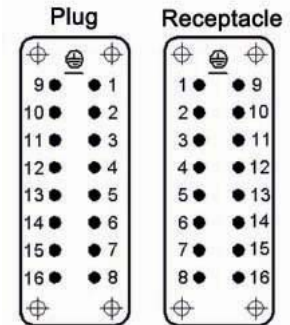
HA Plugs & Receptacles: Screw Terminated Inserts



## HA 16 Inserts



View from cable side



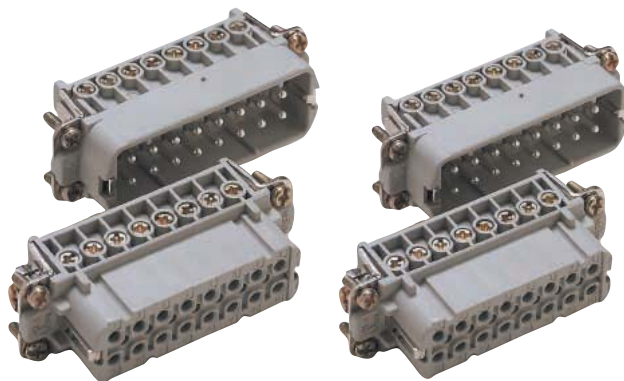
All dimensions are in mm.



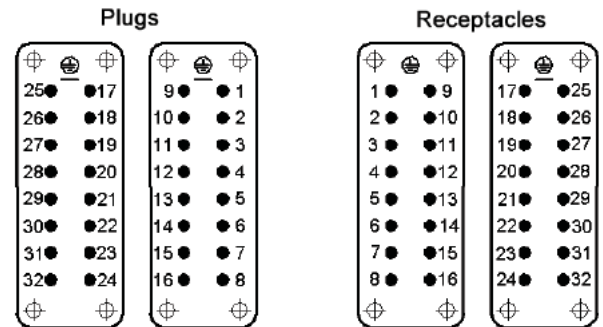
HA 16  
Pg 383

| Description                   | Plug     | Receptacle |
|-------------------------------|----------|------------|
| HA 16 with Wire Protection    | 10530000 | 10531000   |
| HA 16 without Wire Protection | 10532000 | 10533000   |

## HA 32 Inserts



View from cable side



HA 32  
Pg 385

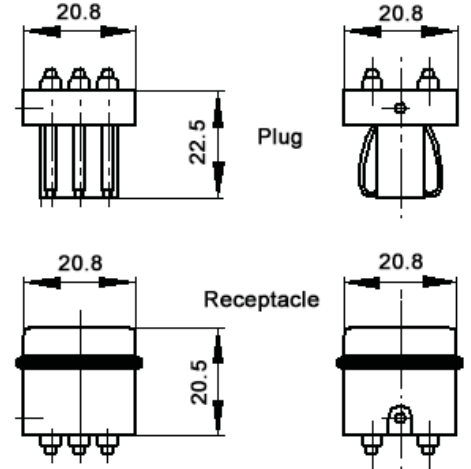
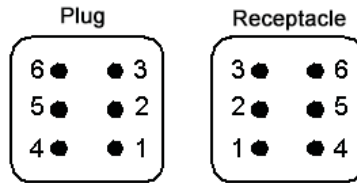
## 2 Sets of HA 16 Inserts

| Description                    | Plug     | Receptacle |
|--------------------------------|----------|------------|
| #1-16 with Wire Protection     | 10530000 | 10531000   |
| #17-32 with Wire Protection    | 10540000 | 10541000   |
| #1-16 without Wire Protection  | 10532000 | 10533000   |
| #17-32 without Wire Protection | 10542000 | 10543000   |

### STA 6 SCREW TERMINATED INSERTS



View from cable side



All dimensions are in mm.

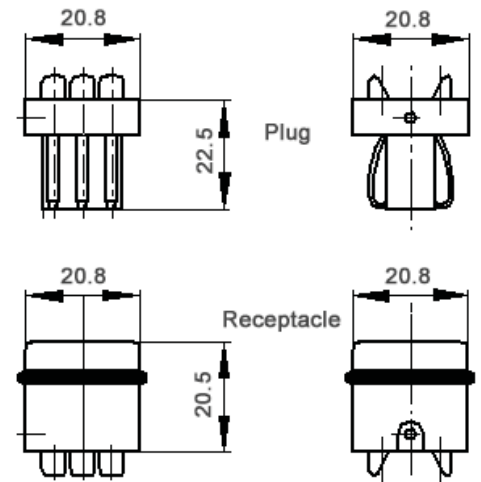
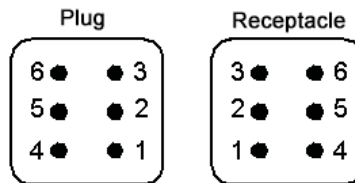
| Description       | Plug     | Receptacle |
|-------------------|----------|------------|
| Screw Termination | 10488100 | 10486100   |



### SOLDER TERMINATED INSERTS



View from cable side



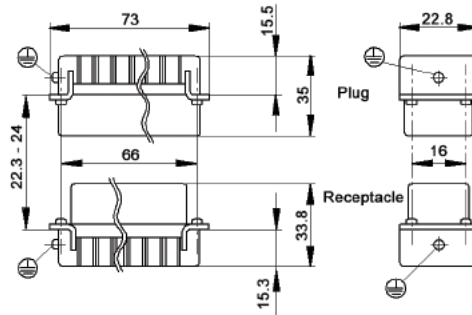
| Description        | Plug     | Receptacle |
|--------------------|----------|------------|
| Solder Termination | 10487200 | 10485200   |

# EPIC® Rectangular Connectors

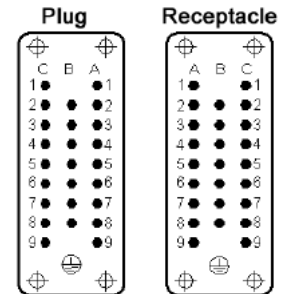
HD Series



## HD 25 CRIMP TERMINATED: STAMPED & FORMED CONTACT INSERTS



View from cable side



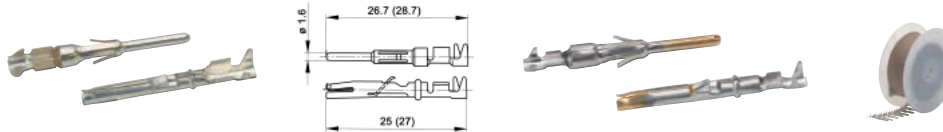
All dimensions are in mm.

Contacts Sold Separately

| Plug     | Receptacle |
|----------|------------|
| 11260000 | 11261000   |



## STAMPED & FORMED CONTACTS: DIAMETER 1.6 MM



| mm <sup>2</sup> | Stripping Length (mm) |
|-----------------|-----------------------|
| 0.14 - 0.5      | 2.5 - 0.5             |
| 0.5 - 1.5       | 3.5 - 0.5             |
| 1.5 - 2.5       | 3.5 - 0.5             |

|                 |         | Bags of 100: Silver |          | Bags of 100: Gold |          | Reel of 100: Silver Left Hand Feed |          | Reel of 200: Silver Left Hand Feed |          |
|-----------------|---------|---------------------|----------|-------------------|----------|------------------------------------|----------|------------------------------------|----------|
| mm <sup>2</sup> | AWG     | Pin                 | Socket   | Pin               | Socket   | Pin                                | Socket   | Pin                                | Socket   |
| 0.14 - 0.5      | 26 - 20 | 11241100            | 11231100 | 11243100          | 11233100 | -                                  | -        | 11240700                           | 11230700 |
| 0.5 - 1.5       | 20 - 16 | 11221000            | 11236100 | 11221300          | 11238100 | -                                  | -        | 11220700                           | 11235700 |
| 1.5 - 2.5       | 16 - 14 | 11223500            | 11228500 | -                 | -        | 11223000                           | 11228000 | -                                  | -        |

| mm <sup>2</sup> | AWG     | Reel of 2000: Right Hand Feed- Silver |          | Reel of 2000: Right Hand Feed- Gold |          | Reel of 2000: Left Hand Feed- Silver |          | Reel of 2000: Left Hand Feed- Silver |          |
|-----------------|---------|---------------------------------------|----------|-------------------------------------|----------|--------------------------------------|----------|--------------------------------------|----------|
|                 |         | Pin                                   | Socket   | Pin                                 | Socket   | Pin                                  | Socket   | Pin                                  | Socket   |
| 0.14 - 0.5      | 26 - 20 | 11240000                              | 11230000 | -                                   | -        | 11240400                             | 11230400 | 11230500                             | 11240500 |
| 0.5 - 1.5       | 20 - 16 | 11220000                              | 11235000 | 11220100                            | 11235200 | 11226000                             | 11226500 | -                                    | -        |
| 1.5 - 2.5       | 16 - 14 | -                                     | -        | -                                   | -        | 11222700                             | 11227700 | -                                    | -        |

Part number= 1 contact (bags) or 1 reel.



**Crimp Tool**  
11147000



**Locator**  
11147300



**Removal Tool:** 11161000



**Crimp Tool for Reel:**  
11153500



**Crimp Dies**  
0.14-0.5: 11147170  
0.5-1.5: 11147180  
1.5-2.5: 11147190

**Crimp Dies for Reel:**  
0.14-0.5: 11153600  
0.5-1.5: 11153700  
1.5-2.5: 11153800



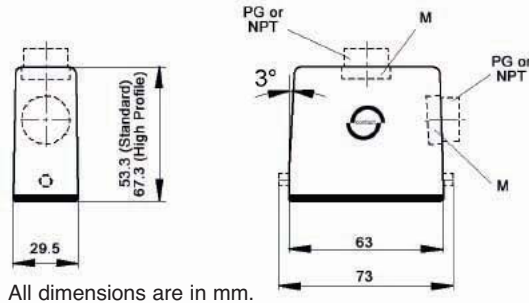
# EPIC® Rectangular Connectors



HA 10 Housings: Single Lever on Base

## TOP & SIDE ENTRY HOODS

### TOP ENTRY



### SIDE ENTRY



All dimensions are in mm.

**Specifications:** DIN 43652  
**Temperature Range:** -40°C to +125°C

**Protection class:** NEMA 4, NEMA 12, IP65  
**Material:** Aluminum alloy, powder coated

## STANDARD PROFILE

| Position of Cable Entry | Size of Entry |      |        | Part Numbers |          |          | Complete your installation with a SKINTOP®, Pg 352 |           |               |              |
|-------------------------|---------------|------|--------|--------------|----------|----------|--|-----------|---------------|--------------|
|                         | PG            | NPT  | Metric | PG           | NPT      | Metric   | PG- Nylon  | PG- Metal | Metric- Nylon | Metric-Metal |
| Top Entry               | 13            | 1/2" | 20     | 10446000     | 104460NP | 19446000 | 53015130   | 52015730  | 53111020      | 53112020     |
|                         | 16            | 1/2" | 25     | 10446100     | 104461NP | 19446100 | 53015140   | 52015740  | 53111030      | 53112030     |
| Side Entry              | 16            | 1/2" | 20     | 10445000     | 104450NP | 19445000 | 53015140   | 52015740  | 53111020      | 53112020     |
|                         | 21            | 3/4" | 25     | 10445500     | 104455NP | 19445500 | 53015150   | 52015750  | 53111030      | 53112030     |

Top Entry Metric hoods do not come with a neck.

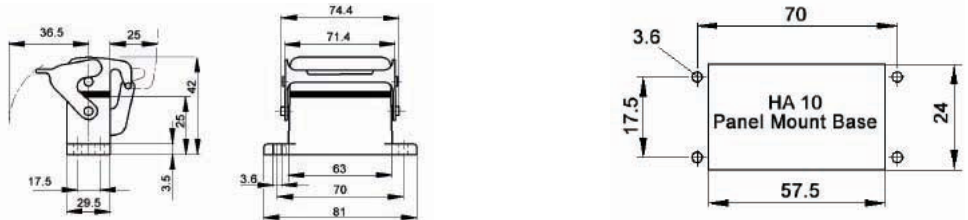
## HIGH PROFILE

| Position of Cable Entry | Size of Entry |      |        | Part Numbers |          |          | Complete your installation with a SKINTOP®, Pg 352 |           |               |              |
|-------------------------|---------------|------|--------|--------------|----------|----------|--|-----------|---------------|--------------|
|                         | PG            | NPT  | Metric | PG           | NPT      | Metric   | PG- Nylon  | PG- Metal | Metric- Nylon | Metric-Metal |
| Top Entry               | 16            | 1/2" | 20     | 70460200     | 704602NP | 79460200 | 53015140   | 52015740  | 53111020      | 53112020     |
|                         | 21            | 3/4" | 25     | 70460400     | 704604NP | 79460400 | 53015150   | 52015750  | 53111030      | 53112030     |
| Side Entry              | 16            | 1/2" | 20     | 70462200     | 704622NP | 79462200 | 53015140   | 52015740  | 53111020      | 53112020     |
|                         | 21            | 3/4" | 25     | 70462400     | 704624NP | 79462400 | 53015150   | 52015750  | 53111030      | 53112030     |

High Profile Metric hoods do not come with a neck.



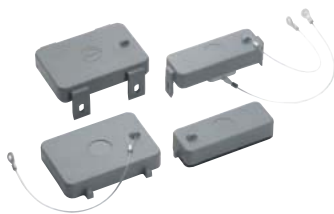
## PANEL MOUNT BASES



| Without Dust Cover | With Dust Cover |
|--------------------|-----------------|
| 104420C0           | 704440C0        |

All dimensions are in mm.

## DUST COVERS WITH OR WITHOUT ATTACHMENT STRING



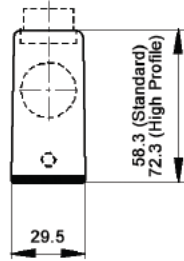
| Material:  | Thermoplastic Resin | Temperature:          | -40°C to +125°C |
|--|---------------------|-----------------------|-----------------|
| Description  | Part # with string  | Part # without string |                 |
| HA 10 Panel Mt or Surface Mt Base/ Cable Coupler hoods (includes gasket) | 10457500            | 10457700              |                 |
| Dust cover for HA 10 Hoods   | 10457600            | 10457800              |                 |

# EPIC® Rectangular Connectors

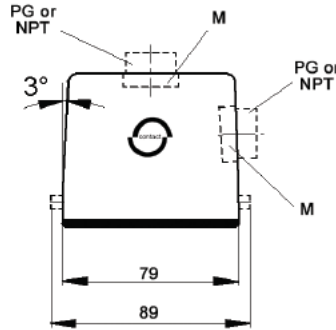


HA 16 Housings: Single Lever on Base

## TOP ENTRY



## HOODS



## SIDE ENTRY



## STANDARD PROFILE

| Position of Cable Entry | Size of Entry |      |        | Part Numbers |          |          | Complete your installation with a SKINTOP®, Pg 352 |           |               |              |
|-------------------------|---------------|------|--------|--------------|----------|----------|--|-----------|---------------|--------------|
|                         | PG            | NPT  | Metric | PG           | NPT      | Metric   | PG- Nylon  | PG- Metal | Metric- Nylon | Metric-Metal |
| Top Entry               | 16            | 1/2" | 20     | 10565000     | 105650NP | 19565000 | 53015140   | 52015740  | 53111020      | 53112020     |
|                         | 21            | 3/4" | 25     | 10565200     | 105652NP | 19565300 | 53015150   | 52015750  | 53111030      | 53112030     |
| Side Entry              | 16            | 1/2" | 20     | 10564000     | 105640NP | 19564000 | 53015140   | 52015740  | 53111020      | 53112020     |
|                         | 21            | 3/4" | 25     | 10564500     | 105645NP | 19564500 | 53015150   | 52015750  | 53111030      | 53112030     |

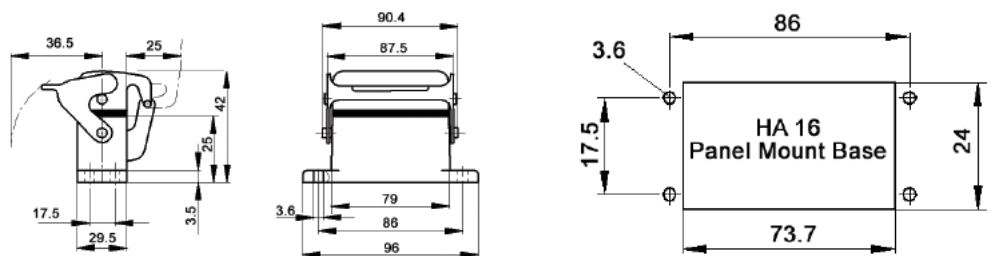
Top Entry Metric hoods do not come with a neck.

## HIGH PROFILE

| Position of Cable Entry | Size of Entry |      |        | Part Numbers |          |          | Complete your installation with a SKINTOP®, Pg 352 |           |               |              |
|-------------------------|---------------|------|--------|--------------|----------|----------|--|-----------|---------------|--------------|
|                         | PG            | NPT  | Metric | PG           | NPT      | Metric   | PG- Nylon  | PG- Metal | Metric- Nylon | Metric-Metal |
| Top Entry               | 16            | 1/2" | 20     | 70490200     | 704902NP | 79490200 | 53015140   | 52015740  | 53111020      | 53112020     |
|                         | 21            | 3/4" | 25     | 70490400     | 704904NP | 79490400 | 53015150   | 52015750  | 53111030      | 53112030     |
| Side Entry              | 16            | 1/2" | 20     | 70492200     | 704922NP | 79492200 | 53015140   | 52015740  | 53111020      | 53112020     |
|                         | 21            | 3/4" | 25     | 70492400     | 704924NP | 79492400 | 53015150   | 52015750  | 53111030      | 53112030     |

High Profile Metric hoods do not come with a neck.

## PANEL MOUNT BASE



| Without Dust Cover | With Dust Cover |
|--------------------|-----------------|
| 104620C0           | 704740C0        |

## DUST COVERS WITH OR WITHOUT ATTACHMENT STRING



| Material:  | Thermoplastic Resin | Temperature:          | -40°C to +125°C |
|--|---------------------|-----------------------|-----------------|
| Description  | Part # with string  | Part # without string |                 |
| HA 16 Panel Mt or Surface Mt Base/ Cable Coupler hoods (includes gasket) | 10469500            | 10469700              |                 |
| Dust cover for HA 16 Hoods   | 10469600            | 10469800              |                 |

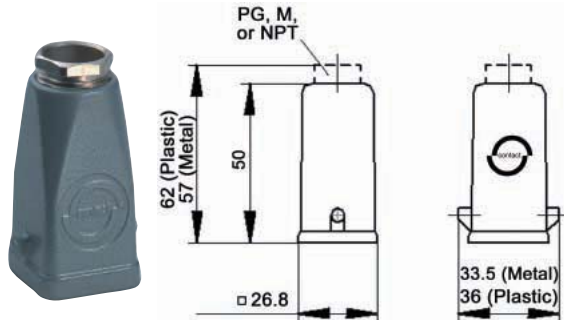
# EPIC® Rectangular Connectors



HA 3/4 Housings: Single Lever on Base

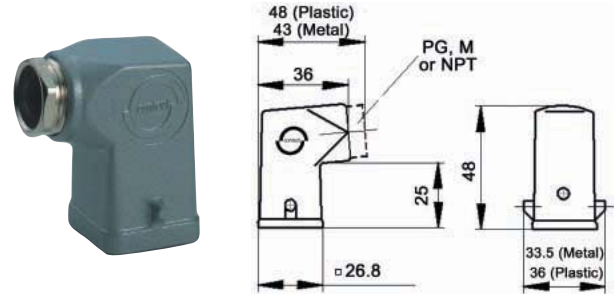
## TOP & SIDE ENTRY HOODS

### TOP ENTRY



All dimensions are in mm.

### SIDE ENTRY



Specifications: DIN 43652  
Temperature Range: -40°C to +125°C

Protection class: NEMA 4, NEMA 12, IP65  
Material: Aluminum alloy, powder coated

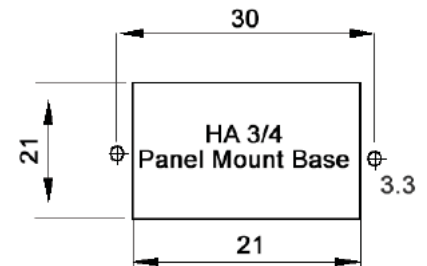
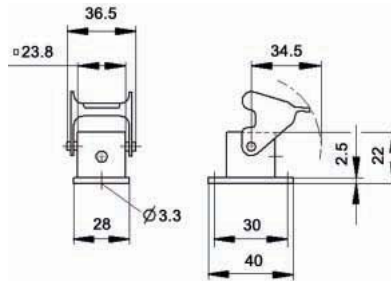
### Top Entry Hoods

| Material      | Size of Entry |      |        | Without Cable Gland |          | With Cable Gland |          |
|---------------|---------------|------|--------|---------------------|----------|------------------|----------|
|               | PG            | NPT  | Metric | NPT                 | Metric   | PG               | Metric   |
| Zinc Die Cast | 11            | 1/2" | 20     | 105121NP            | -        | 10426500         | 19426500 |
| Black Plastic | 11            | 1/2" | 20     | 104255NP            | 19425500 | 10426700         | -        |
| Grey Plastic  | 11            | 1/2" | 20     | 104260NP            | 19426000 | 10426400         | -        |

### Side Entry Hoods

| Material      | Size of Entry |      |        | Without Cable Gland |          | With Cable Gland |          |
|---------------|---------------|------|--------|---------------------|----------|------------------|----------|
|               | PG            | NPT  | Metric | NPT                 | Metric   | PG               | Metric   |
| Zinc Die Cast | 11            | 1/2" | 20     | 105123NP            | -        | 10427500         | 19427500 |
| Black Plastic | 11            | 1/2" | 20     | 104273NP            | 19427300 | 10620600         | -        |
| Grey Plastic  | 11            | 1/2" | 20     | 104270NP            | 19427000 | 10427100         | -        |

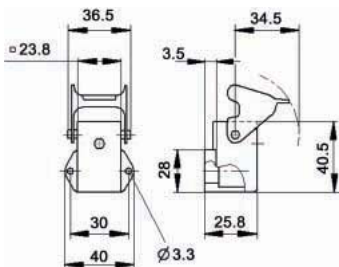
## PANEL MOUNT BASES



| Gray Metal | Black Plastic | Gray Plastic |
|------------|---------------|--------------|
| 10422500   | 10422200      | 10422000     |

All dimensions are in mm.

## ANGLED PANEL MOUNT BASES



| Gray Metal | Black Plastic | Gray Plastic |
|------------|---------------|--------------|
| 10423500   | 10423100      | 10423000     |

