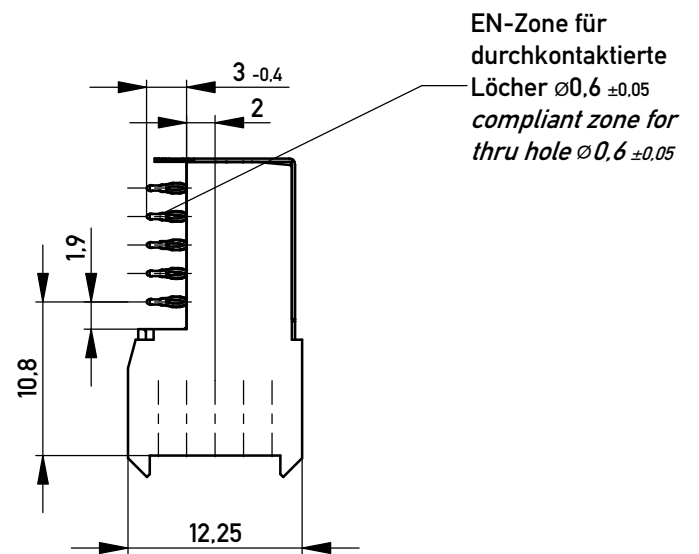
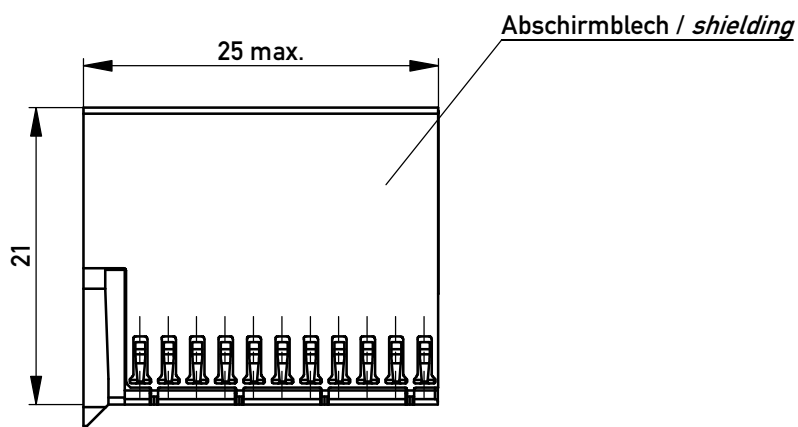
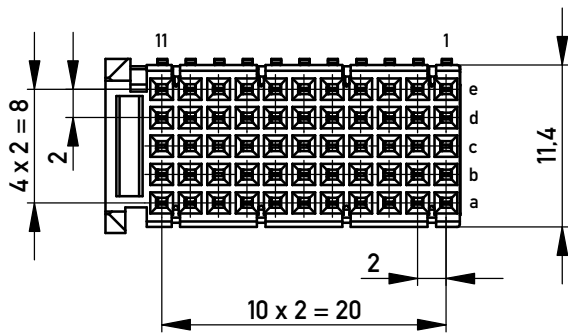
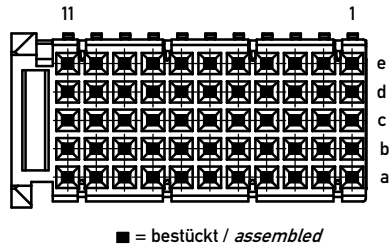
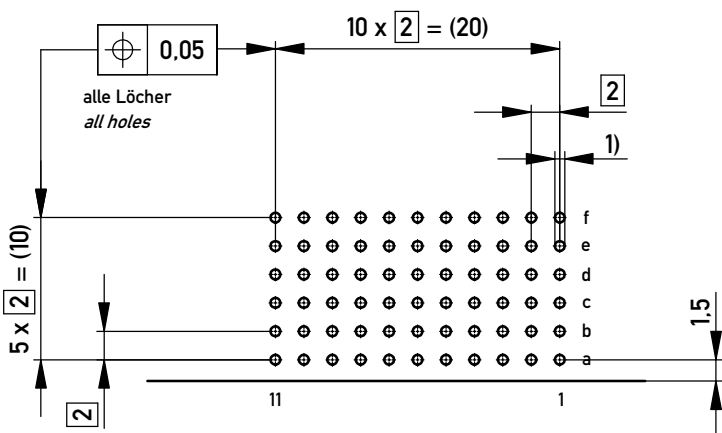


Bestückungsplan / contact layout



Lochbild für Leiterplatte  
(Bestückungsseite)

Board hole pattern  
(Component mounting side)



- 1)  $\varnothing 0.6 \pm 0.05$  Durchmesser des metallisierten Loches  
 $\varnothing 0.6 \pm 0.05$  Diameter of finished plated-through hole
- $\varnothing 0.7 \pm 0.02$  Bohrungsdurchmesser des Loches  
 $\varnothing 0.7 \pm 0.02$  Diameter of drilled hole

Schichtaufbau im metallisierten Loch  
siehe Zeichnung 114406  
Metal plating of plated through hole  
see drawing 114406

Fehlende Maße und Angaben nach IEC 61076-4-101  
Missing information and dimensions per IEC 61076-4-101

Copyright by ERNI GmbH Proprietary notice pursuant to ISO 16016 to be observed.	Information: ohne Fixierstift / without locating pegs Abschirmblech oben montiert / shielding mounted on top BA 2	Tolerances All Dimensions in mm	Scale 2:1
	All rights reserved. Only for Information. To ensure that this is the latest version of this drawing, please contact one of the ERNI companies before using.	Subject to modification without prior notice. Drawing will not be updated.	Designation <b>ERmet Federleiste C</b> <i>ERmet Female Type C</i>
b Index	21.01.2013 Date	www.ERNI.com	100600760004 Class ERM C
			K A3