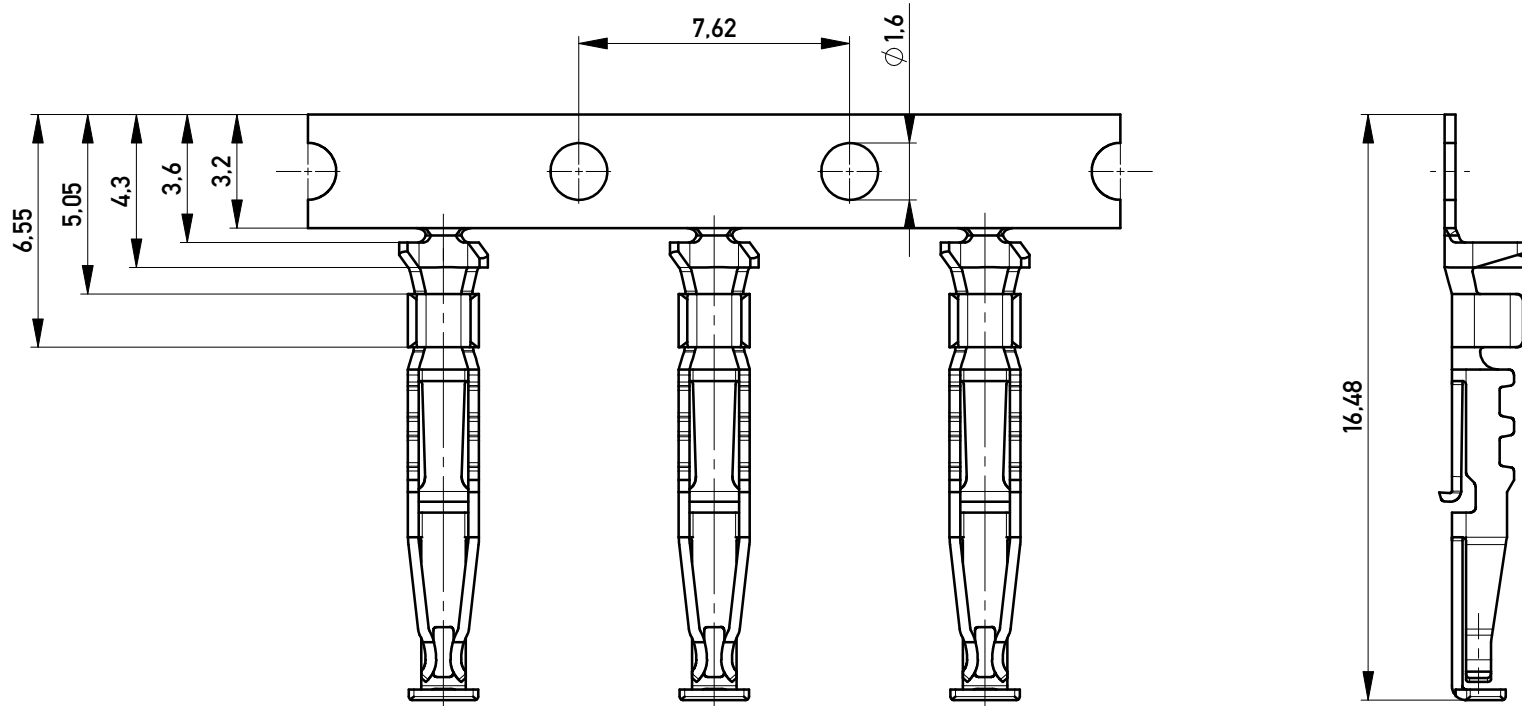
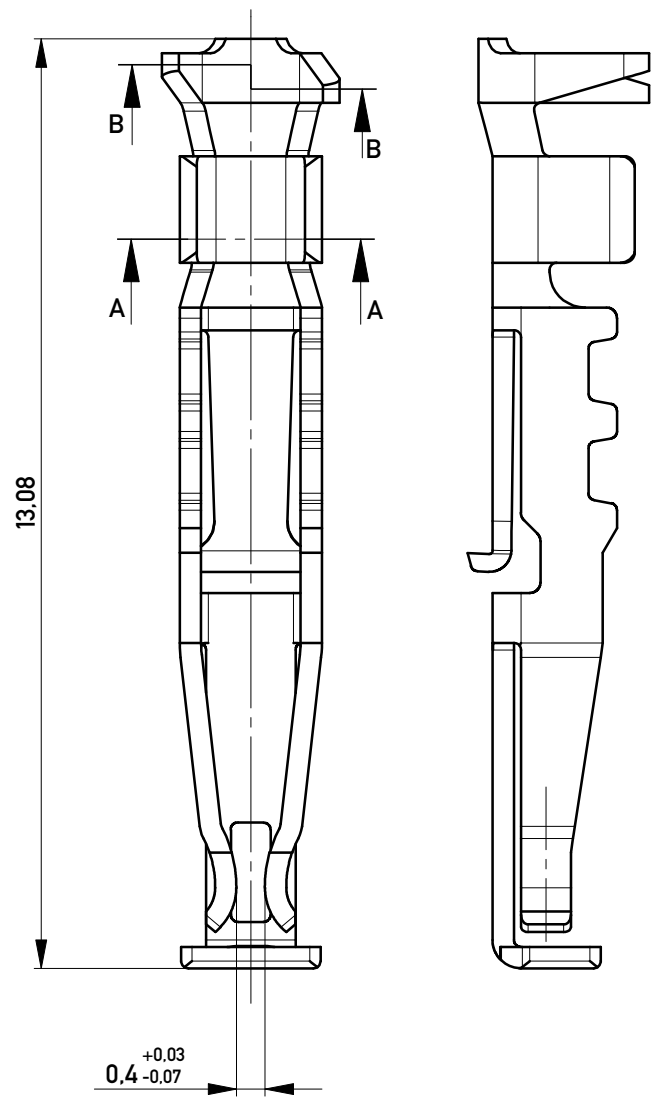


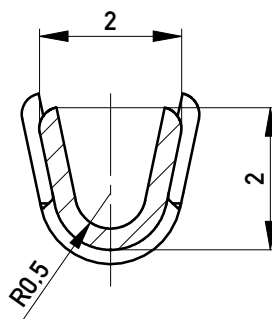
Federkontakte am Band



Federkontakt vereinzelt

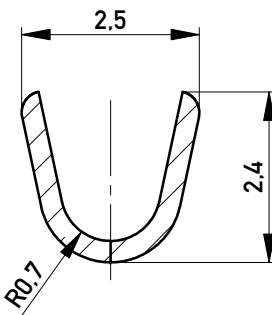


Schnitt A-A M 10:1

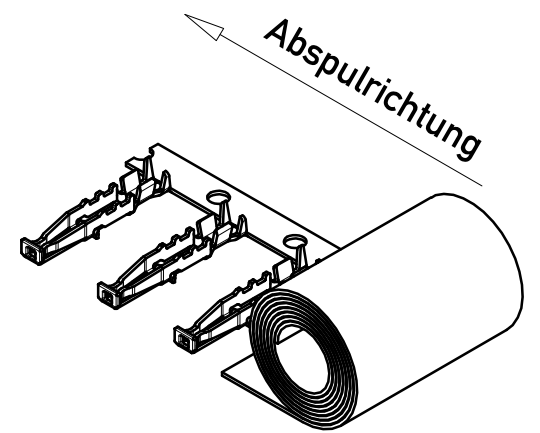


Drahtcrimp

Schnitt B-B M 10:1



Isolationscrimp



¹ AWG 20 für Isolationsdurchmesser < 1,5mm

AWG 20-22 ¹	10000	∅ 630	137	
Leiterquerschnitt <i>wire cross section</i>	Menge	Spulen- durchmesser	Anforder- ungsstufe	Bemerkung

Information: All rights reserved. Only for Information. To ensure that this is the latest version of this drawing, please contact one of the ERNI companies before using.	Tolerances	Scale 2:1 All Dimensions in mm	Designation Federkontakte 2,54 SRC-A BA1 <i>Spring contact 2,54 SRC-A</i>
	Subject to modification without prior notice. Drawing will not be updated.	www.ERNI.com	100600280001
f Index	10.04.2013 Date	Class SRCBUT	K A3

Copyright by ERNI GmbH
 Proprietary notice pursuant to ISO 16016 to be observed.