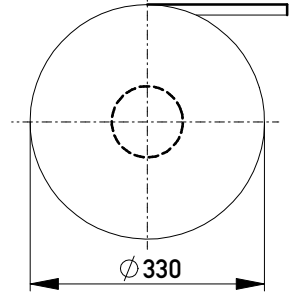
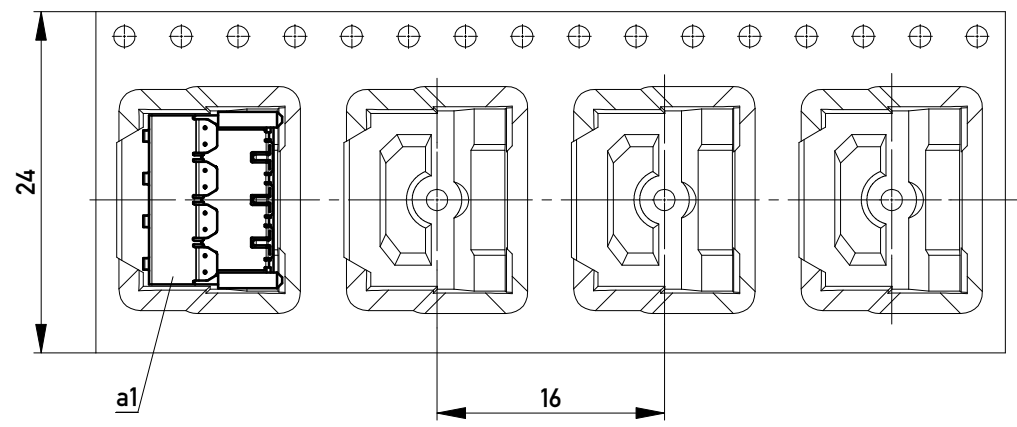


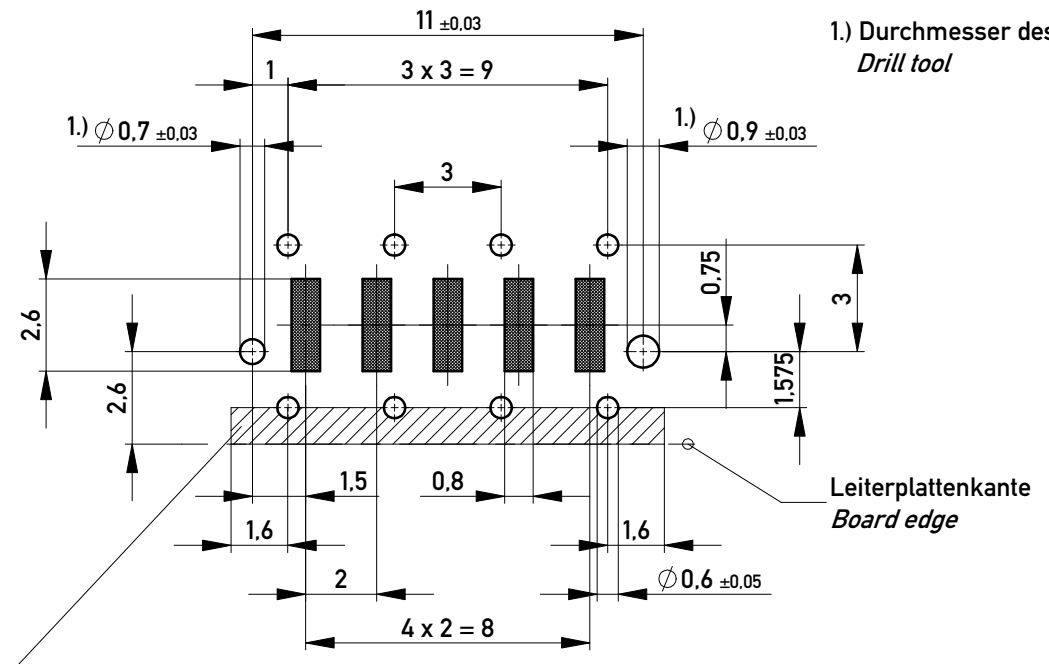
Verpackt in Gurtverpackung  
Tape on Reel Packaging  
Verpackungseinheit: 500 Stück  
Packaging unit: 500 pcs



Abspulrichtung - Reel off Direction



Leiterplatten-Layout Vorschlag / PCB-Layout Proposal



1.) Durchmesser des Bohrers /  
Drill tool

Schirmblechauflagefläche berücksichtigen,  
keine Durchkontaktierungen oder Leitungen möglich!  
Consider shielding contact area, no via's or traces possible!

Anforderungsstufe 1  
Performance Level 1

Kontaktbereich vergoldet  
Mating Area gold plating

Anschlussbereich verzinkt 4-6 µm  
Terminal Area 4-6 µm tin plating

Koplanarität der Anschlüsse ≤ 0.1 mm  
Coplanarity Area of Termination ≤ 0.1 mm

BlindMate SMD/THR

Information:	Tolerances	<p>All Dimensions in mm</p>	Scale	5:1
	All rights reserved. Only for Information. To ensure that this is the latest version of this drawing, please contact one of the ERNI companies before using.		Designation <b>MSpeed Federl. 90° PM</b> <b>MSpeed female 90° PM</b>	
Copyright by ERNI GmbH Proprietary notice pursuant to ISO 16016 to be observed.	Subject to modification without prior notice. Drawing will not be updated.		www.ERNI.com	
	c Index	15.04.2013 Date	Class	MSPEED
			100600100004	K A3