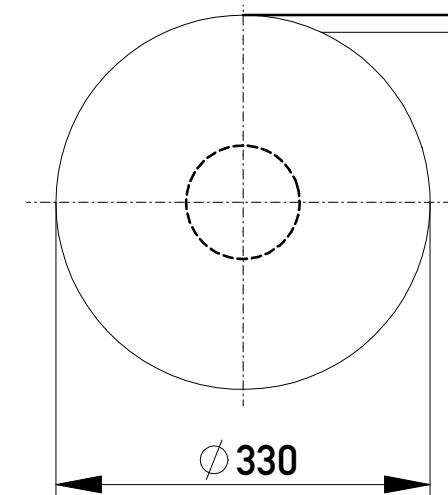
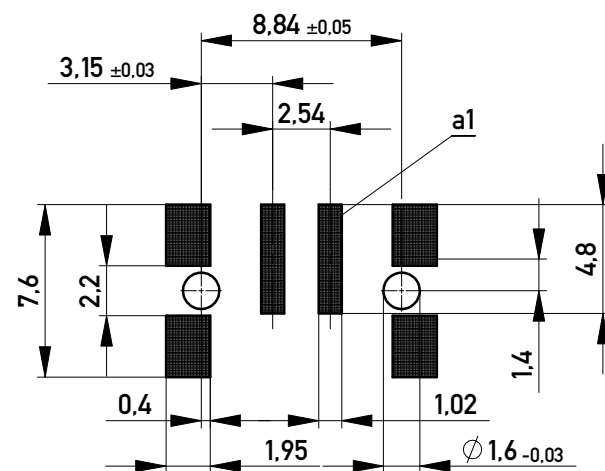


Verpackt im Gurt nach DIN IEC 60286-3
 Tape on Reel Packaging according to DIN IEC 60286-3
 Verpackungseinheit: 320 Stück
 Packaging unit: 320 pcs



Leiterplatten-Layout Vorschlag für SMT
 PCB-Layout Proposal for SMT



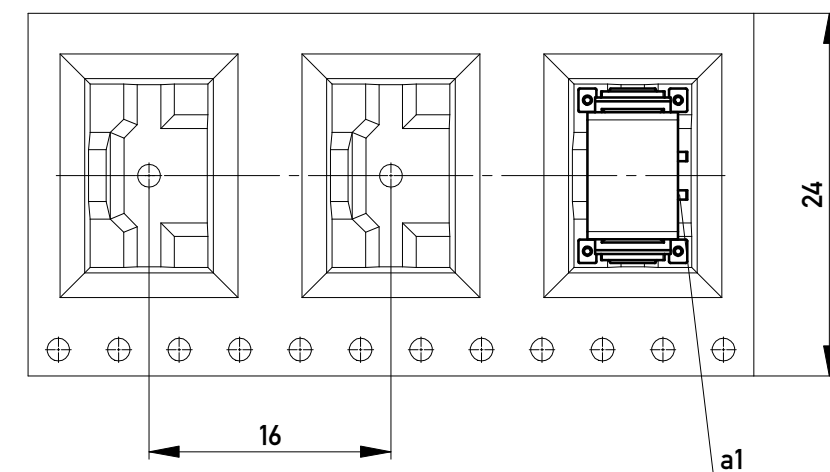
Anforderungsstufe 1
 Performance Level 1

Kontaktbereich vergoldet
 Mating Area gold plating

Anschlussbereich verzinkt 4-6 µm
 Terminal Area 4-6 µm tin plating

Koplanarität der Anschlüsse ≤ 0,1 mm
 Coplanarity Area of Termination ≤ 0,1 mm

Abspulrichtung - Reel off Direction



Copyright by ERNI GmbH Proprietary notice pursuant to ISO 16016 to be observed.	Information: Codierung: grün - coding: green		Tolerances 	Scale 3:1
	All rights reserved. Only for Information. To ensure that this is the latest version of this drawing, please contact one of the ERNI companies before using.		Subject to modification without prior notice. Drawing will not be updated.	Designation M 2,54 SRC-P, 2-polig
g Index	25.02.2014 Date		www.ERNI.com	100303440001
		Class SRCP		K A3