

40GBASE-LR4 CFP TRANSCEIVER

CFP1XL4L2C000E1G



Product Description

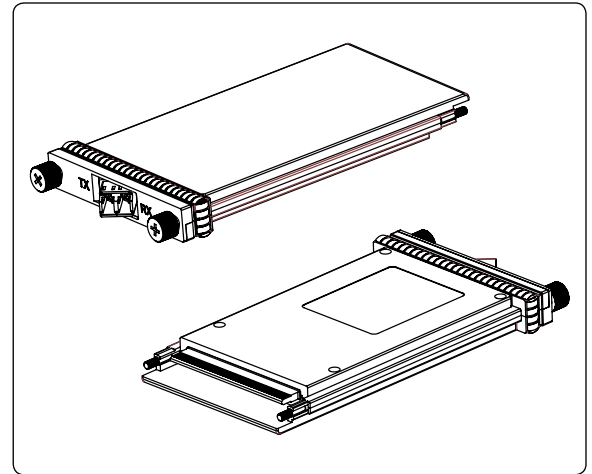
The CFP1XL4L2C000E1G transceiver is a hot pluggable fiber optic transceiver in the CFP form factor with digital diagnostics monitoring functionality (DDM). Supporting 40GBase-LR4 Ethernet standard makes it ideally suited for 40GbE applications where cost effective high port density is needed. The control and status reporting functions are integrated into the design via a set of non-data hardware signal pins and Management Data Input/Output (MDIO) interface per the CFP Multi-Source Agreement (MSA) Management Interface Specification draft 1.4.

The transceiver supports 40Gbps data rate over four wavelength division multiplexed lanes. The four lanes are at 1271nm, 1291nm, 1311nm, and 1331nm wavelength respectively. Each lane transmits and receives data streams at typical rate of 10.3125Gbps. It provides an excellent solution for 40Gbps data transmission over up to 10km single mode fiber. The low power consumption and excellent EMI performance enable system design with high port density. The product is designed and tested in accordance with industry safety standards. The transceiver is Class I Laser product per U.S. FDA/CDRH and international IEC-60825 standards.

The CFP1XL4L2C000E1G transceiver connects to standard 148-pin CFP connectors for hot plug capability. This allows the system designer to make configuration changes or maintenance by simply plugging in different transceivers without removing the power supply from the host system. The transmitter and receiver DATA interfaces are internally AC-coupled. LV-CMOS Transmitter Disable control input and Loss of Signal (LOS) output interfaces are also provided.

The transceiver can be conveniently assembled into and released from the host system through the raling system specified in the CFP MSA.

The transceiver operates from a single +3.3V power supply over an operating case temperature range of -5°C to +70°C. The housing is made of metal for EMI immunity.



Features

- Four (4) CWDM Channels
- Transmission distance up to 10km (SM fiber)
- Compliant to CFP MSA
- Compliant to 40GBase-LR4 specifications
- Status reporting and Control functions through the CFP management Interface
- Power consumption <8W
- RoHS 6/6 compliant
- Laser Class 1 IEC/CDRH compliant

Ordering Information

Model Name	Operating Temperature		Norminal Wavelength (nm)	Distance
CFP1XL4L2C000E1G	-5°C to +70°C	Commercial	1271,1291,1311,1331	10km



S0240. Rev.02. 2012-01-12