

# MAX5713/MAX5714/MAX5715

## 四通道、超小尺寸8/10/12位 缓冲输出DAC，内置基准和SPI接口

### 概述

### 优势和特性

MAX5713/MAX5714/MAX5715 4通道、低功耗、8/10/12位、电压输出数/模转换器(DAC)带有输出缓冲器和内部基准(可选择为2.048V、2.500V或4.096V)。MAX5713/MAX5714/MAX5715可接受2.7V至5.5V宽电源电压范围，具有超低功耗(3mW)，适合绝大多数低压应用。外部精密基准输入用于支持满幅工作，对外部基准具有100kΩ(典型值)的等效负载阻抗。

MAX5713/MAX5714/MAX5715具有50MHz 3线SPI/QSPI™/MICROWIRE®/DSP兼容串行接口，也包括用于菊花链应用的RDY输出。DAC输出带有缓冲，提供每通道小于250μA的低电源电流以及±0.5mV(典型值)的低失调误差。上电时，MAX5713/MAX5714/MAX5715将DAC输出复位至零，为驱动电子阀门或其它传感器等需要上电时处于关闭状态的应用提供安全保护。内部基准在开始时为关闭状态，从而允许使用外部基准。MAX5713/MAX5714/MAX5715可利用软件LOAD命令或硬件加载DAC逻辑输入(LDAC)同步更新输出。

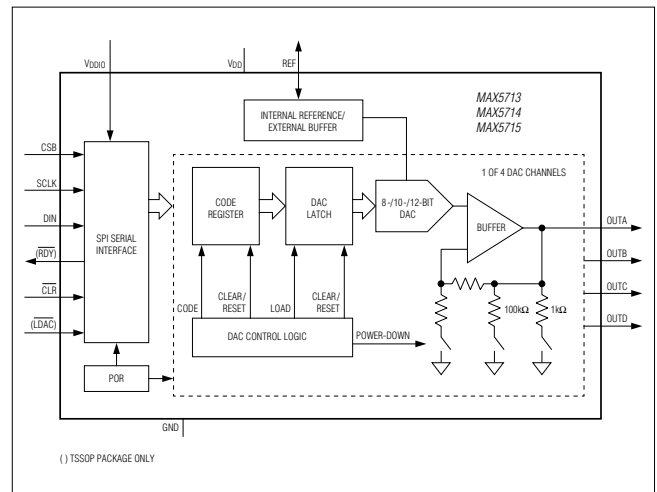
清零逻辑输入(CLR)允许异步清零CODE的内容和DAC寄存器，并将DAC输出置零。MAX5713/MAX5714/MAX5715采用14引脚TSSOP封装以及超小型、12焊球WLP封装，工作在-40°C至+125°C温度范围。

- ◆ 四路高精度DAC通道
  - ◇ 确保12位精度，无需调节
  - ◇ ±1 LSB INL，带缓冲电压输出
  - ◇ 在所有工作条件下确保单周
  - ◇ 可独立设置每路DAC
- ◆ 三种可选择的内部精密基准：
  - ◇ 2.048V、2.500V或4.096V
- ◆ 内部输出缓冲器
  - ◇ 采用外部基准支持满幅工作
  - ◇ 4.5μs建立时间
  - ◇ 输出可直接驱动2kΩ负载
- ◆ 5mm × 4.4mm 14引脚TSSOP封装或超小尺寸、1.6mm × 2.2mm 12焊球WLP封装
- ◆ 2.7V至5.5V较宽的供电范围
- ◆ 独立的1.8V至5.5V V<sub>DDIO</sub>电源输入
- ◆ 50MHz 3线SPI/QSPI/MICROWIRE/DSP兼容串行接口，带RDY输出
- ◆ 上电时，将DAC输出复位至零
- ◆ LDAC和CLR用于异步控制
- ◆ 软件可选择三种关断输出阻抗
  - ◇ 1kΩ、100kΩ或高阻

### 应用

### 功能框图

可编程电压及电流源  
 增益与失调调节  
 自动调谐和光控制  
 功率放大器控制和偏置  
 过程控制与伺服环路  
 便携式仪表  
 数据采集



QSPI是Motorola, Inc.的商标。

MICROWIRE是National Semiconductor Corporation.的注册商标。

μMAX是Maxim Integrated Products, Inc.的注册商标。

订购信息在数据资料的最后给出。

相关型号以及配合该器件使用的推荐产品，请参见：[china.maximintegrated.com/MAX5713.related](http://china.maximintegrated.com/MAX5713.related)。

本文是英文数据资料的译文，文中可能存在翻译上的不准确或错误。如需进一步确认，请在您的设计中参考英文资料。

有关价格、供货及订购信息，请联络Maxim亚洲销售中心：10800 852 1249(北中国区)，10800 152 1249(南中国区)，或访问Maxim的中文网站：[china.maximintegrated.com](http://china.maximintegrated.com)。

# MAX5713/MAX5714/MAX5715

## 四通道、超小尺寸8/10/12位 缓冲输出DAC，内置基准和SPI接口

### ABSOLUTE MAXIMUM RATINGS

$V_{DD}$ , $V_{DDIO}$ to GND .....	-0.3V to +6V	Maximum Continuous Current into Any Pin .....	$\pm 50$ mA
OUT <sub>-</sub> , REF to GND .....	-0.3V to the lower of ( $V_{DD} + 0.3$ V) and +6V	Operating Temperature Range .....	-40°C to +125°C
CSB, SCLK, $\overline{LDAC}$ , $\overline{CLR}$ to GND .....	-0.3V to +6V	Storage Temperature Range .....	-65°C to +150°C
DIN, $\overline{RDY}$ to GND .....	-0.3V to the lower of ( $V_{DDIO} + 0.3$ V) and +6V	Lead Temperature (TSSOP only)(soldering, 10s) .....	+300°C
Continuous Power Dissipation ( $T_A = +70^\circ\text{C}$ )		Soldering Temperature (reflow) .....	+260°C
TSSOP (derate at 10mW/°C above 70°C) .....	797mW		
WLP (derate at 16.1mW/°C above 70°C) .....	1288mW		

Stresses beyond those listed under "Absolute Maximum Ratings" may cause permanent damage to the device. These are stress ratings only, and functional operation of the device at these or any other conditions beyond those indicated in the operational sections of the specifications is not implied. Exposure to absolute maximum rating conditions for extended periods may affect device reliability.

### PACKAGE THERMAL CHARACTERISTICS (Note 1)

TSSOP		WLP	
Junction-to-Ambient Thermal Resistance ( $\theta_{JA}$ ) .....	100°C/W	Junction-to-Ambient Thermal Resistance ( $\theta_{JA}$ )	
Junction-to-Case Thermal Resistance ( $\theta_{JC}$ ) .....	30°C/W	(Note 2) .....	62°C/W

**Note 1:** Package thermal resistances were obtained using the method described in JEDEC specification JESD51-7, using a four-layer board. For detailed information on package thermal considerations, refer to [china.maximintegrated.com/thermal-tutorial](http://china.maximintegrated.com/thermal-tutorial).

**Note 2:** Visit [china.maximintegrated.com/app-notes/index.mvp/id/1891](http://china.maximintegrated.com/app-notes/index.mvp/id/1891) for information about the thermal performance of WLP packaging.

### ELECTRICAL CHARACTERISTICS

( $V_{DD} = 2.7$ V to 5.5V,  $V_{DDIO} = 1.8$ V to 5.5V,  $V_{GND} = 0$ V,  $C_L = 200$ pF,  $R_L = 2$ k $\Omega$ ,  $T_A = -40^\circ\text{C}$  to +125°C, unless otherwise noted. Typical values are at  $T_A = +25^\circ\text{C}$ .) (Note 3)

PARAMETER	SYMBOL	CONDITIONS	MIN	TYP	MAX	UNITS
<b>DC PERFORMANCE (Note 4)</b>						
Resolution and Monotonicity	N	MAX5713	8			Bits
		MAX5714	10			
		MAX5715	12			
Integral Nonlinearity (Note 5)	INL	MAX5713	-0.25	$\pm 0.05$	+0.25	LSB
		MAX5714	-0.5	$\pm 0.25$	+0.5	
		MAX5715	-1	$\pm 0.5$	+1	
Differential Nonlinearity (Note 5)	DNL	MAX5713	-0.25	$\pm 0.05$	+0.25	LSB
		MAX5714	-0.5	$\pm 0.1$	+0.5	
		MAX5715	-1	$\pm 0.2$	+1	
Offset Error (Note 6)	OE		-5	$\pm 0.5$	+5	mV
Offset Error Drift				$\pm 10$		$\mu\text{V}/^\circ\text{C}$
Gain Error (Note 6)	GE		-1.0	$\pm 0.1$	+1.0	%FS
Gain Temperature Coefficient		With respect to $V_{REF}$		$\pm 3.0$		ppm of FS/°C
Zero-Scale Error			0		10	mV
Full-Scale Error		With respect to $V_{REF}$	-0.5		+0.5	%FS

# MAX5713/MAX5714/MAX5715

## 四通道、超小尺寸8/10/12位 缓冲输出DAC，内置基准和SPI接口

### ELECTRICAL CHARACTERISTICS (continued)

( $V_{DD} = 2.7V$  to  $5.5V$ ,  $V_{DDIO} = 1.8V$  to  $5.5V$ ,  $V_{GND} = 0V$ ,  $C_L = 200pF$ ,  $R_L = 2k\Omega$ ,  $T_A = -40^\circ C$  to  $+125^\circ C$ , unless otherwise noted. Typical values are at  $T_A = +25^\circ C$ .) (Note 3)

PARAMETER	SYMBOL	CONDITIONS		MIN	TYP	MAX	UNITS
<b>DAC OUTPUT CHARACTERISTICS</b>							
Output Voltage Range (Note 7)		No load		0		$V_{DD}$	V
		2k $\Omega$ load to GND		0		$V_{DD} - 0.2$	
		2k $\Omega$ load to $V_{DD}$		0.2		$V_{DD}$	
Load Regulation		$V_{OUT} = V_{FS}/2$	$V_{DD} = 3V \pm 10\%$ , $ I_{OUT}  \leq 5mA$		300		$\mu V/mA$
			$V_{DD} = 5V \pm 10\%$ , $ I_{OUT}  \leq 10mA$		300		
DC Output Impedance		$V_{OUT} = V_{FS}/2$	$V_{DD} = 3V \pm 10\%$ , $ I_{OUT}  \leq 5mA$		0.3		$\Omega$
			$V_{DD} = 5V \pm 10\%$ , $ I_{OUT}  \leq 10mA$		0.3		
Maximum Capacitive Load Handling	$C_L$				500		pF
Resistive Load Handling	$R_L$			2			k $\Omega$
Short-Circuit Output Current		$V_{DD} = 5.5V$	Sourcing (output shorted to GND)		30		mA
			Sinking (output shorted to $V_{DD}$ )		50		
DC Power-Supply Rejection		$V_{DD} = 3V \pm 10\%$ or $5V \pm 10\%$			100		$\mu V/V$
<b>DYNAMIC PERFORMANCE</b>							
Voltage-Output Slew Rate	SR	Positive and negative			1.0		V/ $\mu s$
Voltage-Output Settling Time		$1/4$ scale to $3/4$ scale, to $\leq 1$ LSB, MAX5713			2.2		$\mu s$
		$1/4$ scale to $3/4$ scale, to $\leq 1$ LSB, MAX5714			2.6		
		$1/4$ scale to $3/4$ scale, to $\leq 1$ LSB, MAX5715			4.5		
DAC Glitch Impulse		Major code transition			7		nV*s
Channel-to-Channel Feedthrough (Note 8)		External reference			3.5		nV*s
		Internal reference			3.3		
Digital Feedthrough		Code = 0, all digital inputs from 0V to $V_{DDIO}$			0.2		nV*s
Power-Up Time		Startup calibration time (Note 9)			200		$\mu s$
		From power-down			50		$\mu s$

# MAX5713/MAX5714/MAX5715

## 四通道、超小尺寸8/10/12位 缓冲输出DAC，内置基准和SPI接口

### ELECTRICAL CHARACTERISTICS (continued)

( $V_{DD} = 2.7V$  to  $5.5V$ ,  $V_{DDIO} = 1.8V$  to  $5.5V$ ,  $V_{GND} = 0V$ ,  $C_L = 200pF$ ,  $R_L = 2k\Omega$ ,  $T_A = -40^\circ C$  to  $+125^\circ C$ , unless otherwise noted. Typical values are at  $T_A = +25^\circ C$ .) (Note 3)

PARAMETER	SYMBOL	CONDITIONS		MIN	TYP	MAX	UNITS
Output Voltage-Noise Density (DAC Output at Midscale)		External reference	f = 1kHz		90		nV/ $\sqrt{Hz}$
			f = 10kHz		82		
		2.048V internal reference	f = 1kHz		112		
			f = 10kHz		102		
		2.5V internal reference	f = 1kHz		125		
			f = 10kHz		110		
		4.096V internal reference	f = 1kHz		160		
			f = 10kHz		145		
Integrated Output Noise (DAC Output at Midscale)		External reference	f = 0.1Hz to 10Hz		12		$\mu V_{P-P}$
			f = 0.1Hz to 10kHz		76		
			f = 0.1Hz to 300kHz		385		
		2.048V internal reference	f = 0.1Hz to 10Hz		14		
			f = 0.1Hz to 10kHz		91		
			f = 0.1Hz to 300kHz		450		
		2.5V internal reference	f = 0.1Hz to 10Hz		15		
			f = 0.1Hz to 10kHz		99		
			f = 0.1Hz to 300kHz		470		
		4.096V internal reference	f = 0.1Hz to 10Hz		16		
			f = 0.1Hz to 10kHz		124		
			f = 0.1Hz to 300kHz		490		
Output Voltage-Noise Density (DAC Output at Full Scale)		External reference	f = 1kHz		114		nV/ $\sqrt{Hz}$
			f = 10kHz		99		
		2.048V internal reference	f = 1kHz		175		
			f = 10kHz		153		
		2.5V internal reference	f = 1kHz		200		
			f = 10kHz		174		
		4.096V internal reference	f = 1kHz		295		
			f = 10kHz		255		
Integrated Output Noise (DAC Output at Full Scale)		External reference	f = 0.1Hz to 10Hz		13		$\mu V_{P-P}$
			f = 0.1Hz to 10kHz		94		
			f = 0.1Hz to 300kHz		540		
		2.048V internal reference	f = 0.1Hz to 10Hz		19		
			f = 0.1Hz to 10kHz		143		
			f = 0.1Hz to 300kHz		685		
		2.5V internal reference	f = 0.1Hz to 10Hz		21		
			f = 0.1Hz to 10kHz		159		
			f = 0.1Hz to 300kHz		705		
		4.096V internal reference	f = 0.1Hz to 10Hz		26		
			f = 0.1Hz to 10kHz		213		
			f = 0.1Hz to 300kHz		750		

# MAX5713/MAX5714/MAX5715

## 四通道、超小尺寸8/10/12位 缓冲输出DAC，内置基准和SPI接口

### ELECTRICAL CHARACTERISTICS (continued)

( $V_{DD} = 2.7V$  to  $5.5V$ ,  $V_{DDIO} = 1.8V$  to  $5.5V$ ,  $V_{GND} = 0V$ ,  $C_L = 200pF$ ,  $R_L = 2k\Omega$ ,  $T_A = -40^\circ C$  to  $+125^\circ C$ , unless otherwise noted. Typical values are at  $T_A = +25^\circ C$ .) (Note 3)

PARAMETER	SYMBOL	CONDITIONS	MIN	TYP	MAX	UNITS	
<b>REFERENCE INPUT</b>							
Reference Input Range	$V_{REF}$		1.24		$V_{DD}$	V	
Reference Input Current	$I_{REF}$	$V_{REF} = V_{DD} = 5.5V$		55	74	$\mu A$	
Reference Input Impedance	$R_{REF}$		75	100		$k\Omega$	
<b>REFERENCE OUTPUT</b>							
Reference Output Voltage	$V_{REF}$	$V_{REF} = 2.048V$ , $T_A = +25^\circ C$	2.043	2.048	2.053	V	
		$V_{REF} = 2.5V$ , $T_A = +25^\circ C$	2.494	2.500	2.506		
		$V_{REF} = 4.096V$ , $T_A = +25^\circ C$	4.086	4.096	4.106		
Reference Temperature Coefficient (Note 10)		MAX5715A		$\pm 3.7$	$\pm 10$	ppm/ $^\circ C$	
		MAX5713/MAX5714/MAX5715B		$\pm 10$	$\pm 25$		
Reference Drive Capacity		External load		25		$k\Omega$	
Reference Capacitive Load				200		pF	
Reference Load Regulation		$I_{SOURCE} = 0$ to $500\mu A$		2		mV/mA	
Reference Line Regulation				0.05		mV/V	
<b>POWER REQUIREMENTS</b>							
Supply Voltage	$V_{DD}$	$V_{REF} = 4.096V$	4.5		5.5	V	
		All other options	2.7		5.5		
I/O Supply Voltage	$V_{DDIO}$		1.8		5.5	V	
Supply Current (Note 11)	$I_{DD}$	Internal reference	$V_{REF} = 2.048V$		0.93	1.25	mA
			$V_{REF} = 2.5V$		0.98	1.30	
			$V_{REF} = 4.096V$		1.16	1.50	
		External reference	$V_{REF} = 3V$		0.85	1.15	
			$V_{REF} = 5V$		1.10	1.40	
Interface Supply Current (Note 11)	$I_{DDIO}$				1	$\mu A$	
Power-Down Mode Supply Current	$I_{PD}$	All DACs off, internal reference ON		140		$\mu A$	
		All DACs off, internal reference OFF, $T_A = -40^\circ C$ to $+85^\circ C$		0.5	1		
		All DACs off, internal reference OFF, $T_A = +125^\circ C$		1.2	2.5		
<b>DIGITAL INPUT CHARACTERISTICS (CSB, SCLK, DIN, LDAC, CLR)</b>							
Hysteresis Voltage	$V_H$			0.15		V	
Input High Voltage	$V_{IH}$	$2.2V < V_{DDIO} < 5.5V$		$0.7 \times V_{DDIO}$		V	
		$1.8V < V_{DDIO} < 2.2V$		$0.8 \times V_{DDIO}$			

# MAX5713/MAX5714/MAX5715

## 四通道、超小尺寸8/10/12位 缓冲输出DAC，内置基准和SPI接口

### ELECTRICAL CHARACTERISTICS (continued)

( $V_{DD} = 2.7V$  to  $5.5V$ ,  $V_{DDIO} = 1.8V$  to  $5.5V$ ,  $V_{GND} = 0V$ ,  $C_L = 200pF$ ,  $R_L = 2k\Omega$ ,  $T_A = -40^\circ C$  to  $+125^\circ C$ , unless otherwise noted. Typical values are at  $T_A = +25^\circ C$ .) (Note 3)

PARAMETER	SYMBOL	CONDITIONS	MIN	TYP	MAX	UNITS
Input Low Voltage (Note 11)	$V_{IL}$	$2.2V < V_{DDIO} < 5.5V$			$0.3 \times V_{DDIO}$	V
		$1.8V < V_{DDIO} < 2.2V$			$0.2 \times V_{DDIO}$	
Input Leakage Current	$I_{IN}$	$V_{IN} = 0V$ or $V_{DDIO}$ (Note 11)		$\pm 0.1$	$\pm 1$	$\mu A$
Input Capacitance (Note 10)	$C_{IN}$				10	pF
<b>DIGITAL OUTPUT (<math>\overline{RDY}</math>)</b>						
Output High Voltage	$V_{OH}$	$V_{DDIO} > 2.5V$ , $I_{SOURCE} = 3mA$			$V_{DDIO} - 0.2$	V
		$V_{DDIO} > 1.8V$ , $I_{SOURCE} = 2mA$			$V_{DDIO} - 0.2$	V
Output Low Voltage	$V_{OL}$	$V_{DDIO} > 2.5V$ , $I_{SINK} = 3mA$			0.2	V
		$V_{DDIO} > 1.8V$ , $I_{SINK} = 2mA$			0.2	V
Output Short-Circuit Current	$I_{OSS}$	$I_{SINK}$ , $I_{SOURCE}$		$\pm 100$		mA
<b>SPI TIMING CHARACTERISTICS (CSB, SCLK, DIN, <math>\overline{RDY}</math>)</b>						
SCLK Frequency	$f_{SCLK}$	$2.7V < V_{DDIO} < 5.5V$ , standalone, daisy chain (Note 12)	0		50	MHz
			0		20	
		$1.8V < V_{DDIO} < 2.7V$ , standalone, daisy chain (Note 12)	0		33	
			0		20	
SCLK Period	$t_{SCLK}$	$2.7V < V_{DDIO} < 5.5V$	20			ns
		$1.8V < V_{DDIO} < 2.7V$	30			
SCLK Pulse Width High	$t_{CH}$		8			ns
SCLK Pulse Width Low	$t_{CL}$		8			ns
CSB Fall to SCLK Fall Setup Time	$t_{CSS0}$	To first SCLK falling edge	8			ns
CSB Fall to SCLK Fall Hold Time	$t_{CSH0}$	Applies to inactive SCLK falling edge preceding the first SCLK falling edge	0			ns
CSB Rise to SCLK Fall Hold Time	$t_{CSH1}$	Applies to the 24th SCLK falling edge	0			ns
CSB Rise to SCLK Fall	$t_{CSA}$	Applies to the 24th SCLK falling edge, aborted sequence	12			ns
SCLK Fall to CSB Fall	$t_{CSF}$	Applies to 24th SCLK falling edge	100			ns
CSB Pulse Width High	$t_{CSPW}$		20			ns
DIN to SCLK Fall Setup Time	$t_{DS}$		5			ns
DIN to SCLK Fall Hold Time	$t_{DH}$		4.5			ns
$\overline{CLR}$ Pulse Width Low	$t_{CLPW}$		20			ns
$\overline{CLR}$ Rise to CSB Fall	$t_{CSC}$	Required for command to be executed	20			ns
$\overline{LDAC}$ Pulse Width Low	$t_{LDPW}$		20			ns
$\overline{LDAC}$ Fall to SCLK Fall Hold	$t_{LDH}$	Applies to 24th SCLK falling edge,	20			ns

# MAX5713/MAX5714/MAX5715

## 四通道、超小尺寸8/10/12位 缓冲输出DAC，内置基准和SPI接口

### ELECTRICAL CHARACTERISTICS (continued)

( $V_{DD} = 2.7V$  to  $5.5V$ ,  $V_{DDIO} = 1.8V$  to  $5.5V$ ,  $V_{GND} = 0V$ ,  $C_L = 200pF$ ,  $R_L = 2k\Omega$ ,  $T_A = -40^\circ C$  to  $+125^\circ C$ , unless otherwise noted. Typical values are at  $T_A = +25^\circ C$ .) (Note 3)

PARAMETER	SYMBOL	CONDITIONS	MIN	TYP	MAX	UNITS
SCLK Fall to $\overline{RDY}$ Fall	$t_{CRF}$	Applies to 24th SCLK falling edge, $C_{LOAD} = 20pF$			40	ns
SCLK Fall to $\overline{RDY}$ Hold	$t_{CRH}$	Applies to 24th SCLK falling edge, $C_{LOAD} = 0pF$	2			ns
CSB Rise to $\overline{RDY}$ Rise	$t_{CSR}$	$C_{LOAD} = 20pF$ (Note 13)			40	ns

**Note 3:** Electrical specifications are production tested at  $T_A = +25^\circ C$ . Specifications over the entire operating temperature range are guaranteed by design and characterization. Typical specifications are at  $T_A = +25^\circ C$  and are not guaranteed.

**Note 4:** DC Performance is tested without load.

**Note 5:** Linearity is tested with unloaded outputs to within 20mV of GND and  $V_{DD}$ .

**Note 6:** Offset and gain errors are calculated from measurements made with  $V_{REF} = V_{DD}$  at code 30 and 4065 for MAX5715, code 8 and 1016 for MAX5714, and code 2 and 254 for MAX5713.

**Note 7:** Subject to zero and full-scale error limits and  $V_{REF}$  settings.

**Note 8:** Measured with all other DAC outputs at midscale with one channel transitioning 0 to full scale.

**Note 9:** On power-up, the device initiates an internal 200 $\mu s$  (typ) calibration sequence. All commands issued during this time will be ignored.

**Note 10:** Guaranteed by design.

**Note 11:** All channels active at  $V_{FS}$ , unloaded. Static logic inputs with  $V_{IL} = V_{GND}$  and  $V_{IH} = V_{DDIO}$ .

**Note 12:** Daisy-chain speed is relaxed to accommodate  $(t_{CRF} + t_{CSS0})$  with margin (derived specification, not production tested).

**Note 13:** This specification and its propagation through the chain limits how quickly an aborted daisy-chain command can be followed by another daisy-chain command, to be applied on a per-device basis.

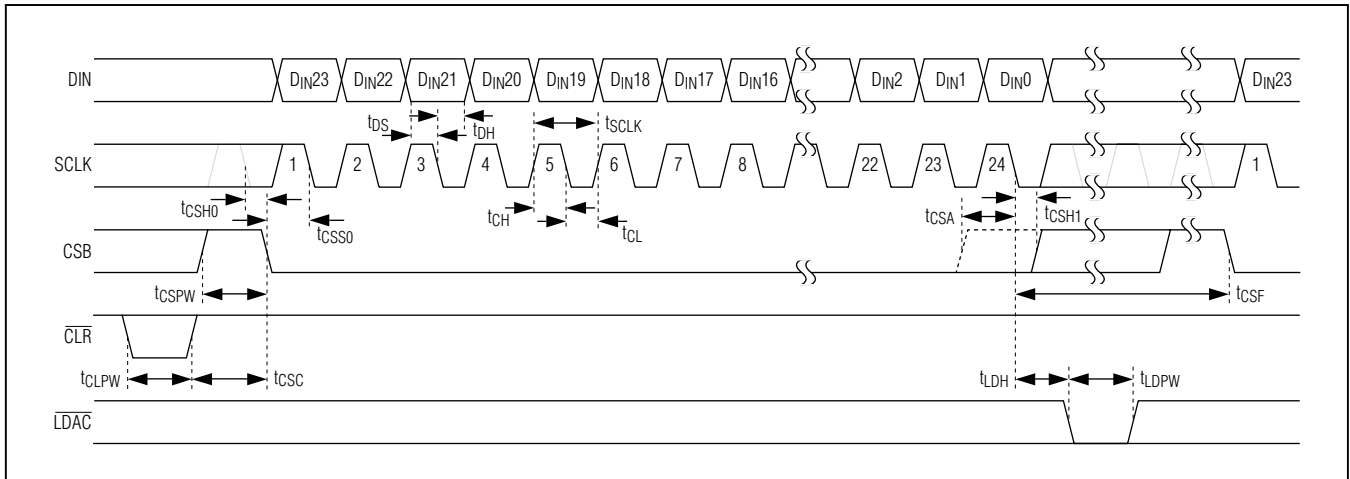


图1. SPI串行接口时序图

# MAX5713/MAX5714/MAX5715

## 四通道、超小尺寸8/10/12位 缓冲输出DAC，内置基准和SPI接口

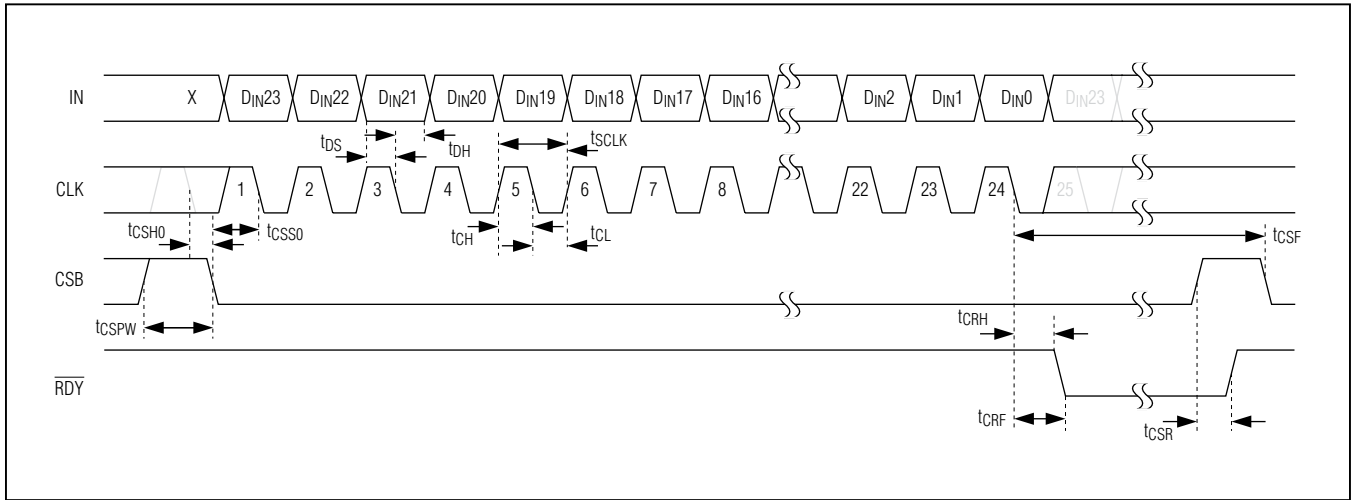
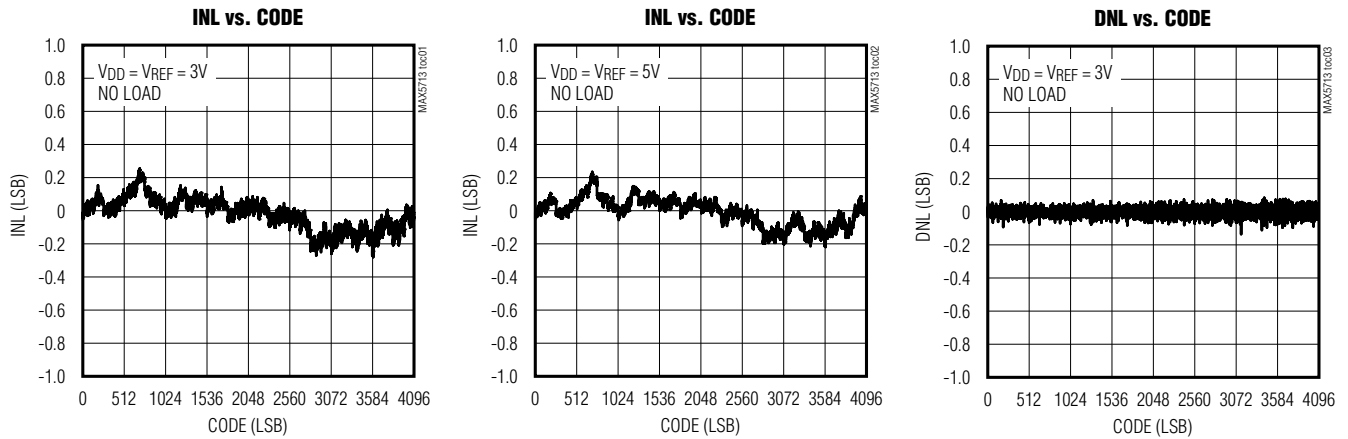


图2. 延长的SPI串行接口时序图(菊花链应用, 仅限TSSOP封装)

### 典型工作特性

(MAX5715, 12-bit performance, T<sub>A</sub> = +25°C, unless otherwise noted.)



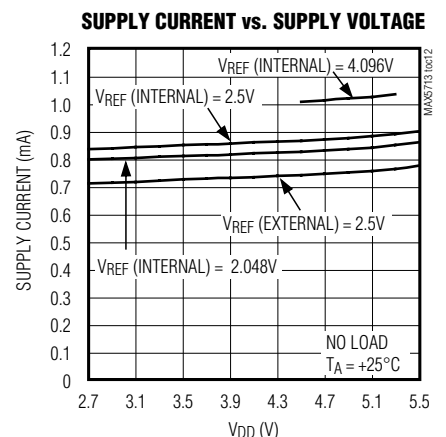
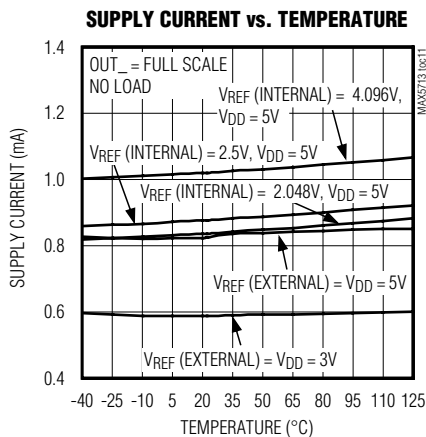
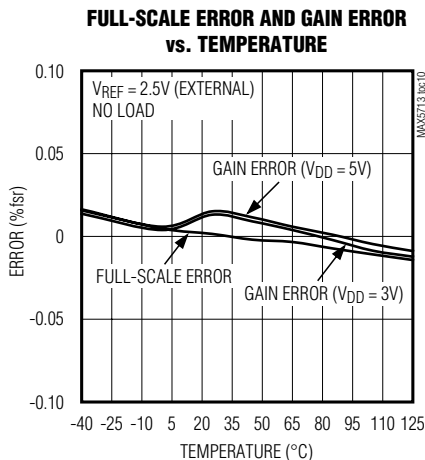
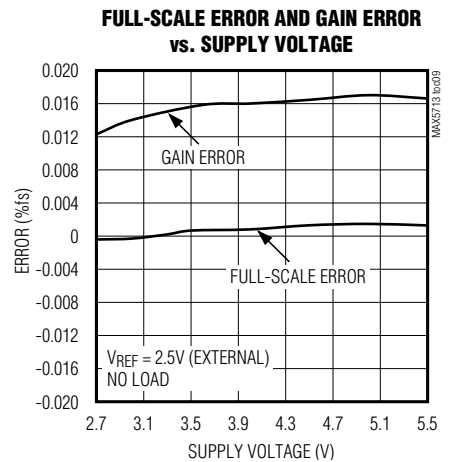
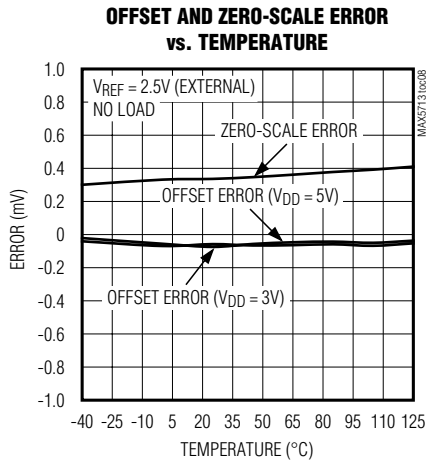
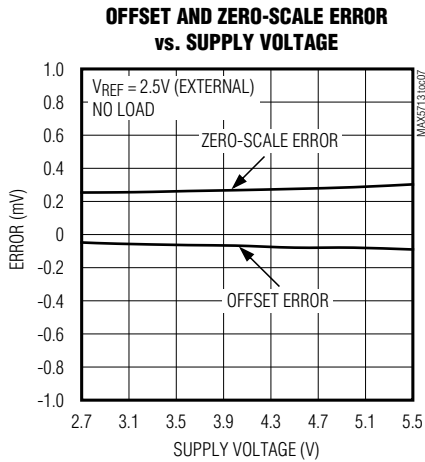
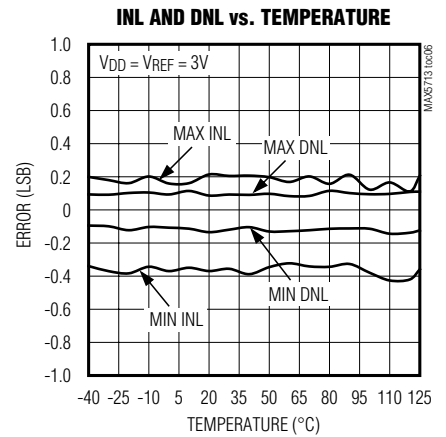
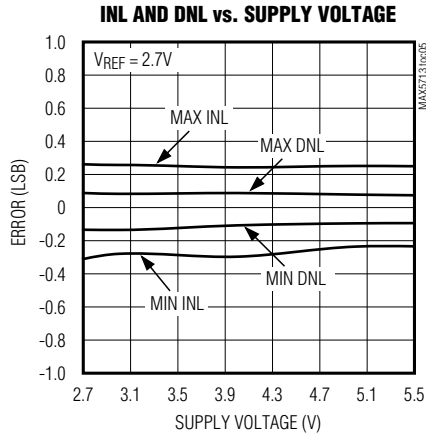
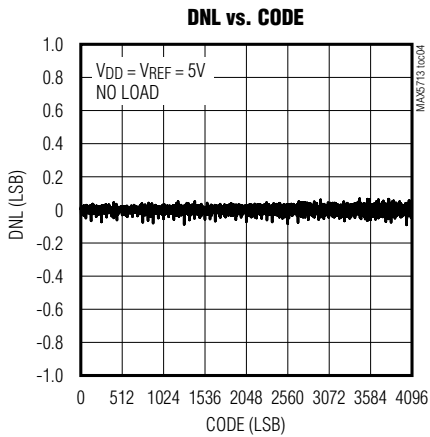


# MAX5713/MAX5714/MAX5715

## 四通道、超小尺寸8/10/12位 缓冲输出DAC，内置基准和SPI接口

典型工作特性(续)

(MAX5715, 12-bit performance,  $T_A = +25^\circ\text{C}$ , unless otherwise noted.)



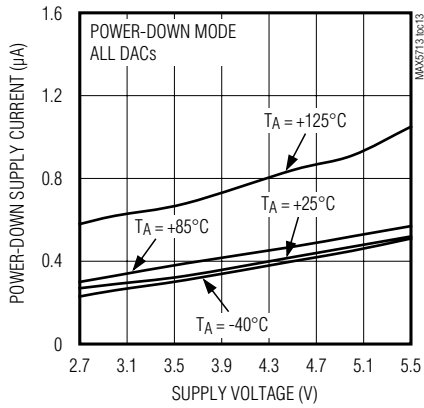
# MAX5713/MAX5714/MAX5715

## 四通道、超小尺寸8/10/12位 缓冲输出DAC，内置基准和SPI接口

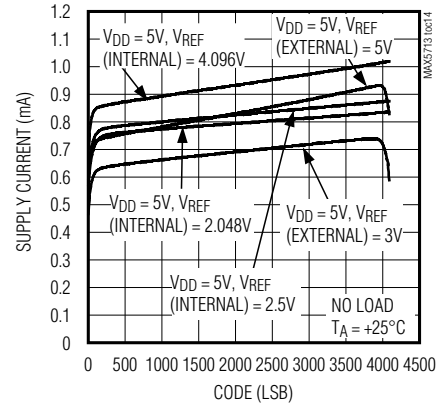
典型工作特性(续)

(MAX5715, 12-bit performance,  $T_A = +25^\circ\text{C}$ , unless otherwise noted.)

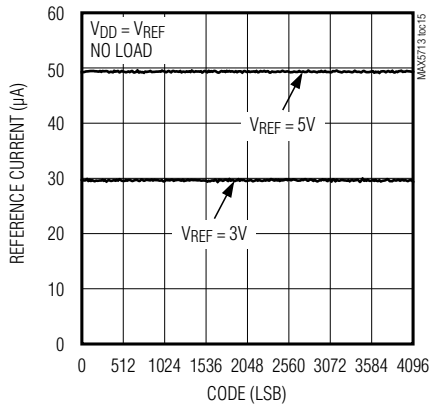
**POWER-DOWN MODE SUPPLY CURRENT vs. TEMPERATURE**



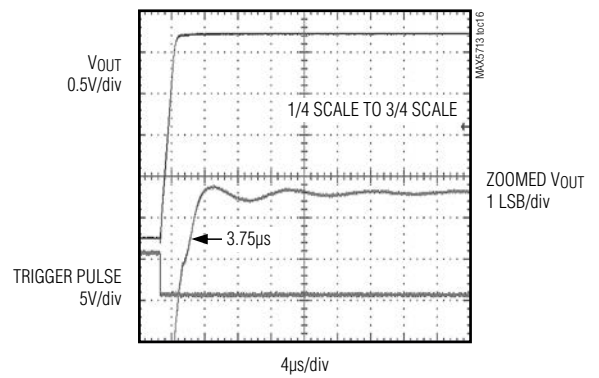
**SUPPLY CURRENT vs. CODE**



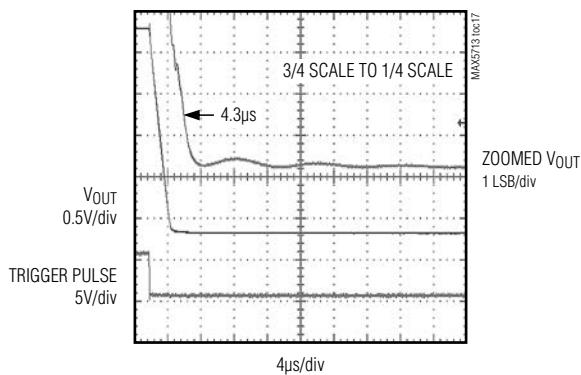
**IREF (EXTERNAL) vs. CODE**



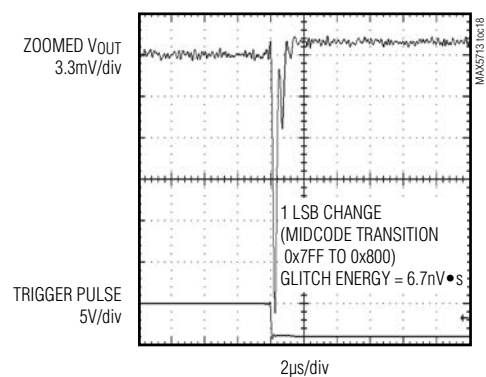
**SETTLING TO  $\pm 1$  LSB  
( $V_{DD} = V_{REF} = 5\text{V}$ ,  $R_L = 2\text{k}\Omega$ ,  $C_L = 200\text{pF}$ )**



**SETTLING TO  $\pm 1$  LSB  
( $V_{DD} = V_{REF} = 5\text{V}$ ,  $R_L = 2\text{k}\Omega$ ,  $C_L = 200\text{pF}$ )**



**MAJOR CODE TRANSITION  
GLITCH ENERGY  
( $V_{DD} = V_{REF} = 5\text{V}$ ,  $R_L = 2\text{k}\Omega$ ,  $C_L = 200\text{pF}$ )**



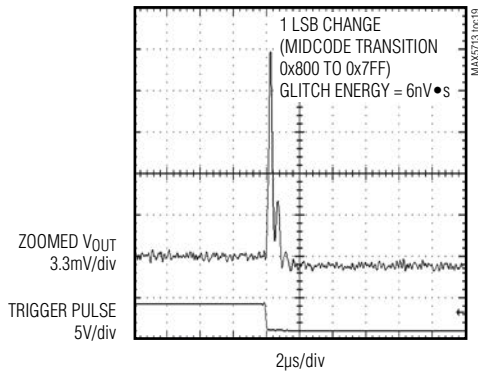
# MAX5713/MAX5714/MAX5715

## 四通道、超小尺寸8/10/12位 缓冲输出DAC，内置基准和SPI接口

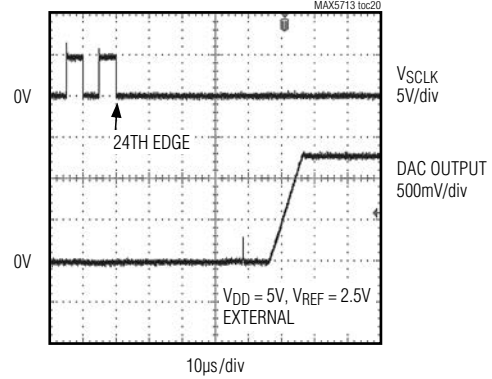
典型工作特性(续)

(MAX5715, 12-bit performance,  $T_A = +25^\circ\text{C}$ , unless otherwise noted.)

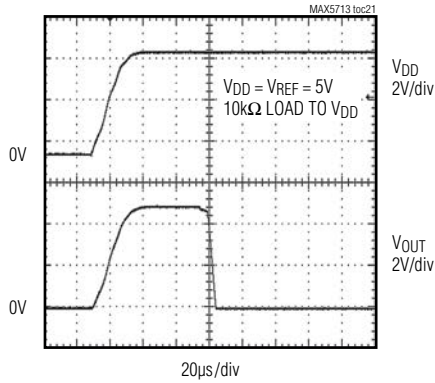
**MAJOR CODE TRANSITION  
GLITCH ENERGY**  
( $V_{DD} = V_{REF} = 5\text{V}$ ,  $R_L = 2\text{k}\Omega$ ,  $C_L = 200\text{pF}$ )



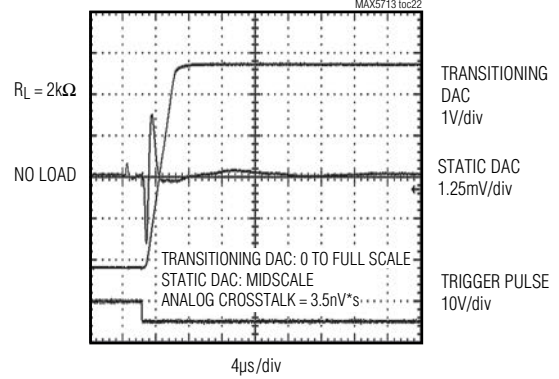
**V<sub>OUT</sub> vs. TIME TRANSIENT  
EXITING POWER-DOWN**



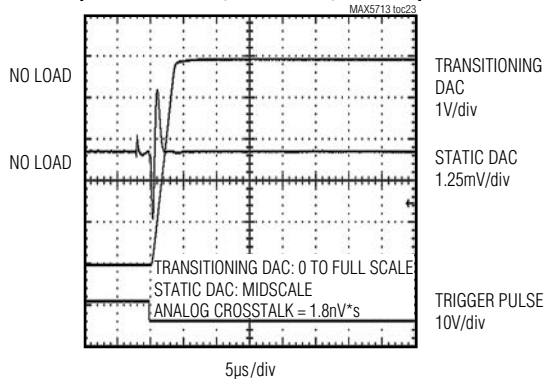
**POWER-ON RESET TO 0V**



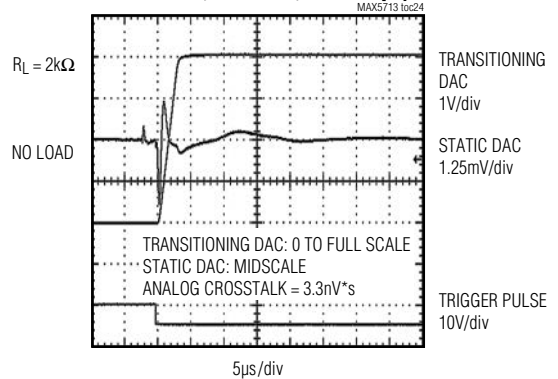
**CHANNEL-TO-CHANNEL FEEDTHROUGH**  
( $V_{DD} = V_{REF} = 5\text{V}$ ,  $T_A = +25^\circ\text{C}$ ,  
 $R_L = 2\text{k}\Omega$ ,  $C_L = 200\text{pF}$ )



**CHANNEL-TO-CHANNEL FEEDTHROUGH**  
( $V_{DD} = V_{REF} = 5\text{V}$ ,  $T_A = +25^\circ\text{C}$ , NO LOAD)



**CHANNEL-TO-CHANNEL FEEDTHROUGH**  
( $V_{DD} = 5\text{V}$ ,  $V_{REF} = 4.096\text{V}$  (INTERNAL),  
 $T_A = +25^\circ\text{C}$ ,  $R_L = 2\text{k}\Omega$ ,  $C_L = 200\text{pF}$ )



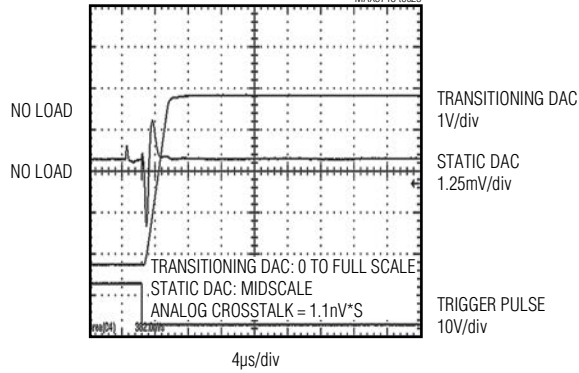
# MAX5713/MAX5714/MAX5715

## 四通道、超小尺寸8/10/12位 缓冲输出DAC，内置基准和SPI接口

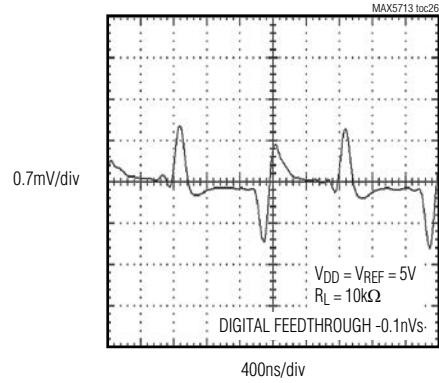
典型工作特性(续)

(MAX5715, 12-bit performance,  $T_A = +25^\circ\text{C}$ , unless otherwise noted.)

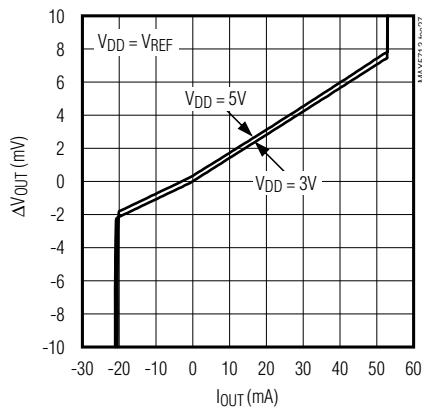
**CHANNEL-TO-CHANNEL FEEDTHROUGH**  
( $V_{DD} = 5\text{V}$ ,  $V_{REF} = 4.096\text{V}$  (INTERNAL),  
 $T_A = +25^\circ\text{C}$ , NO LOAD)



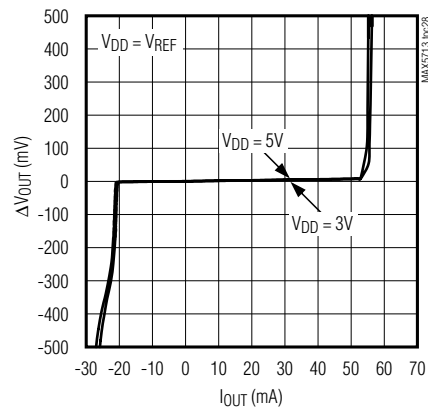
**DIGITAL FEEDTHROUGH**



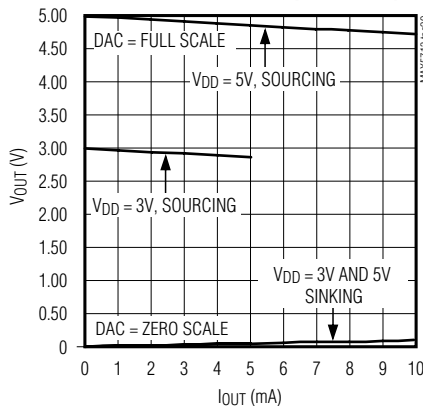
**OUTPUT LOAD REGULATION**



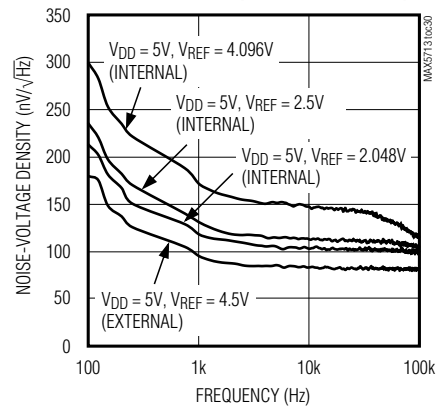
**OUTPUT CURRENT LIMITING**



**HEADROOM AT RAILS**  
vs. OUTPUT CURRENT ( $V_{DD} = V_{REF}$ )



**NOISE-VOLTAGE DENSITY**  
vs. FREQUENCY (DAC AT MIDSCALE)



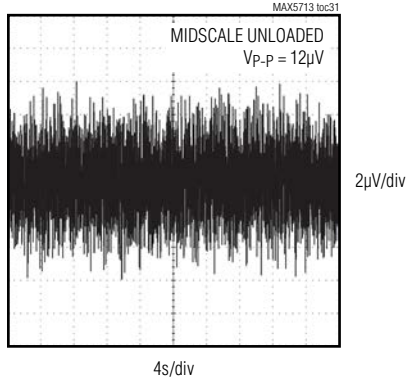
# MAX5713/MAX5714/MAX5715

## 四通道、超小尺寸8/10/12位 缓冲输出DAC，内置基准和SPI接口

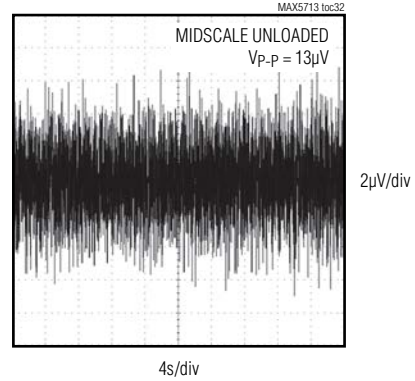
典型工作特性(续)

(MAX5715, 12-bit performance,  $T_A = +25^\circ\text{C}$ , unless otherwise noted.)

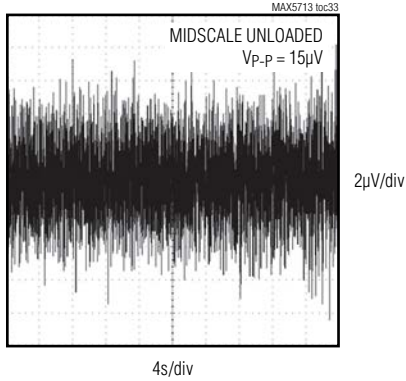
**0.1Hz TO 10Hz OUTPUT NOISE, EXTERNAL REFERENCE ( $V_{DD} = 5\text{V}$ ,  $V_{REF} = 4.5\text{V}$ )**



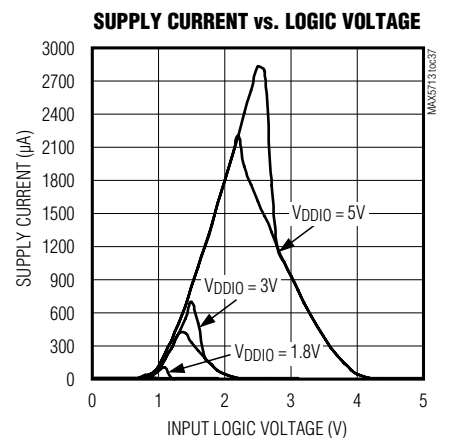
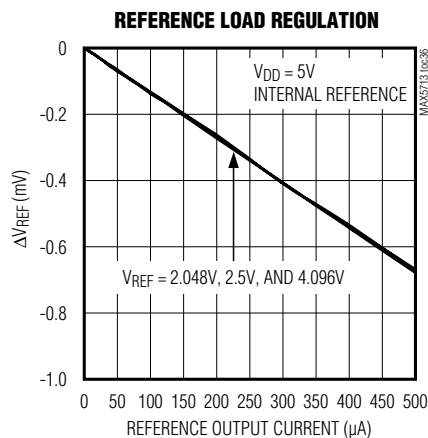
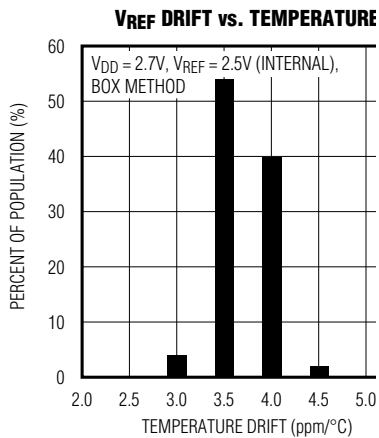
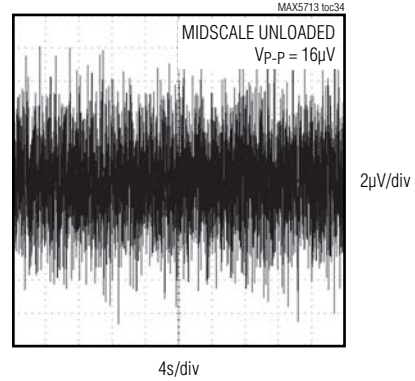
**0.1Hz TO 10Hz OUTPUT NOISE, INTERNAL REFERENCE ( $V_{DD} = 5\text{V}$ ,  $V_{REF} = 2.048\text{V}$ )**



**0.1Hz TO 10Hz OUTPUT NOISE, INTERNAL REFERENCE ( $V_{DD} = 5\text{V}$ ,  $V_{REF} = 2.5\text{V}$ )**



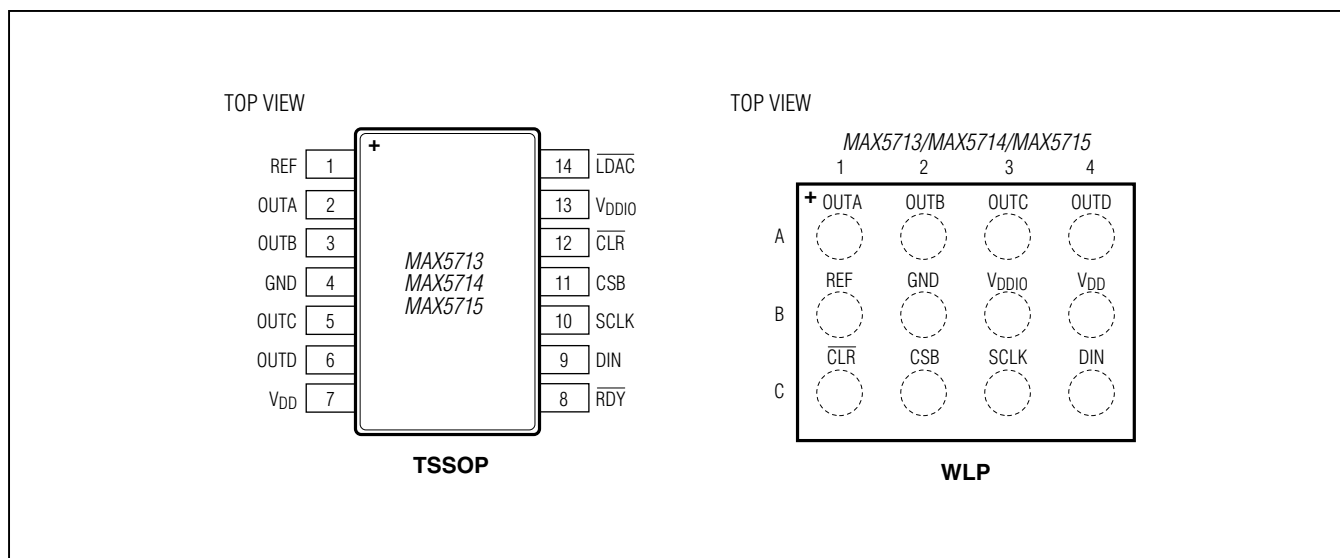
**0.1Hz TO 10Hz OUTPUT NOISE, INTERNAL REFERENCE ( $V_{DD} = 5\text{V}$ ,  $V_{REF} = 4.096\text{V}$ )**



# MAX5713/MAX5714/MAX5715

四通道、超小尺寸8/10/12位  
缓冲输出DAC，内置基准和SPI接口

引脚/焊球配置



引脚/焊球说明

引脚	焊球	名称	功能
TSSOP	WLP		
1	B1	REF	基准电压输入/输出。
2	A1	OUTA	通道A DAC缓冲输出。
3	A2	OUTB	通道B DAC缓冲输出。
4	B2	GND	地。
5	A3	OUTC	通道C DAC缓冲输出。
6	A4	OUTD	通道D DAC缓冲输出。
7	B4	V <sub>DD</sub>	电源电压输入。利用0.1μF电容将V <sub>DD</sub> 旁路至GND。
8	—	$\overline{\text{RDY}}$	SPI $\overline{\text{RDY}}$ 输出。菊花链应用中，将 $\overline{\text{RDY}}$ 连接至链中下一个器件的CSB。
9	C4	DIN	SPI接口数据输入。
10	C3	SCLK	SPI接口时钟输入。
11	C2	CSB	SPI片选输入。
12	C1	$\overline{\text{CLR}}$	低电平有效清零输入。
13	B3	V <sub>DDIO</sub>	数字接口电源输入。
14	—	$\overline{\text{LDAC}}$	装载DAC。低电平有效硬件装载DAC输入。

# MAX5713/MAX5714/MAX5715

## 四通道、超小尺寸8/10/12位 缓冲输出DAC，内置基准和SPI接口

### 详细说明

MAX5713/MAX5714/MAX5715为4通道、低功耗、8/10/12位缓冲电压输出DAC。2.7V至5.5V较宽的供电范围以及低功耗特性，能够支持大多数低功耗、低电压应用。器件对外部基准呈现100kΩ负载。内部输出缓冲器允许满摆幅工作。提供内部电压基准，利用软件可选择2.048V、2.5V或4.096V。器件具有50MHz 3线SPI/QSPI/MICROWIRE/DSP兼容串行接口，有效节省电路板空间，并降低隔离应用接口的复杂度。MAX5713/MAX5714/MAX5715包括串入/并出移位寄存器、内部CODE和DAC寄存器、上电复位(POR)电路将DAC输出初始化为零，以及控制逻辑电路。 $\overline{\text{CLR}}$ 可用于对器件异步清零，独立于串行接口。

### DAC输出(OUT<sub>N</sub>)

MAX5713/MAX5714/MAX5715的全部DAC输出均具有内部缓冲器。内部输出缓冲器改善DAC输出的负载调整率。输出缓冲器摆率为1V/μs(典型值)，可驱动2kΩ(最小)电阻与500pF(最大)电容并联负载。由于模拟电源(V<sub>DD</sub>)为输出缓冲器供电，它决定了器件的最大输出电压范围。空载条件下，输出缓冲器从GND驱动至V<sub>DD</sub>，受限于失调和增益误差。对GND的负载为2kΩ时，输出缓冲器从GND驱动至V<sub>DD</sub>的200mV范围之内。对V<sub>DD</sub>的负载为2kΩ时，输出缓冲器从V<sub>DD</sub>驱动至GND的200mV范围之内。

DAC的理想输出电压定义为：

$$V_{\text{OUT}} = V_{\text{REF}} \times \frac{D}{2^N}$$

式中，D = 装载至DAC寄存器的编码，V<sub>REF</sub> = 基准电压，N = 分辨率。

### 内部寄存器结构

用户接口与DAC逻辑相互独立，以将数字馈通降至最小。串行接口内为输入移位寄存器，其内容可送至控制寄存器，可单独或多个DAC一起，由用户命令决定。

每个DAC通道都有CODE寄存器，然后是DAC锁存寄存器(见详细功能框图)。CODE寄存器的内容保存即将发生的DAC输出设置，随后可装载至DAC寄存器。CODE寄存器可利用CODE和CODE\_LOAD用户命令更新。DAC寄存器的内容保存当前DAC输出设置。DAC寄存器可直接从串行接口使用CODE\_LOAD命令更新，或者利用LOAD命令或LDAC硬件引脚，装载CODE寄存器的当前内容。

关断状态期间，保存CODE和DAC寄存器的内容，所以DAC在上电时恢复其之前储存的输出设置。关断状态期间发出的任何CODE或LOAD命令继续更新寄存器内容。SW\_CLEAR和SW\_RESET命令将全部CODE和DAC寄存器的内容恢复为其默认零值。

### 内部基准

MAX5713/MAX5714/MAX5715集成内部高精度电压基准，利用软件可选择2.048V、2.500V或4.096V。选择内部基准时，REF引脚为其它外部电路提供电压(见典型工作电路)，可驱动25kΩ的负载。

### 外部基准

外部基准输入的典型输入阻抗为100kΩ，支持从+1.24V至V<sub>DD</sub>的输入电压。在REF和GND之间连接外部电压，以使用外部基准。MAX5713/MAX5714/MAX5715上电并复位至外部基准模式。关于可用外部电压基准器件的列表，请访问[china.maximintegrated.com/products/references/](http://china.maximintegrated.com/products/references/)。

### 装载DAC(LDAC)输入 (仅限TSSOP封装)

MAX5713/MAX5714/MAX5715具有低电平有效的LDAC逻辑输入，允许DAC输出异步更新。仅通过串行接口控制器件时，正常工作期间，将LDAC连接至V<sub>DDIO</sub>或保持LDAC为高电平。将LDAC驱动为低电平时，用CODE寄存器中的数据同步更新DAC输出。保持LDAC为低电平时，使DAC寄存器变为透明，立即将CODE数据传递至DAC寄存器，更新DAC输出。可利用软件CONFIG命令独立配置每个DAC的LDAC工作。



# MAX5713/MAX5714/MAX5715

## 四通道、超小尺寸8/10/12位 缓冲输出DAC，内置基准和SPI接口

### 清零输入( $\overline{CLR}$ )

MAX5713/MAX5714/MAX5715具有异步、低电平有效 $\overline{CLR}$ 逻辑输入，可同时将全部四个DAC输出设置为零。驱动 $\overline{CLR}$ 为低电平时，清零CODE和DAC寄存器的内容，并终止正在执行的SPI命令。为了允许新SPI命令，将 $\overline{CLR}$ 驱动为高电平，满足 $t_{csc}$ 定时要求。

### 接口电源( $V_{DDIO}$ )

MAX5713/MAX5714/MAX5715具有用于数字接口(1.8V至5.5V)的独立电源引脚( $V_{DDIO}$ )。将 $V_{DDIO}$ 连接至主处理器的I/O电源。

### SPI串行接口

MAX5713/MAX5714/MAX5715 3线串行接口与MICROWIRE、SPI、QSPI和DSP兼容。接口提供三路输入：SCLK、CSB和DIN。片选输入(CSB，低电平有效)将通过串行数据输入(DIN)装载的数据打包成帧。CSB输入从高电平跳变为低电平后，数据在串行时钟输入(SCLK)的每个下降沿同步移位并锁存至输入寄存器。每个串行操作字为24位长。DAC数据为左对齐，如表1所示。在第24个SCLK下降沿加载24位数据后，串行输入寄存器将其内容传输至目标寄存器。为启动新SPI操作，将CSB驱动为高电平后再驱动为低电平，开始下一个操作序列，确保满足相关的全部定时要求。CSB为高电平期间，SCLK被忽略，允许与相同总线上的其

它器件进行通信。24个以上SCLK周期的SPI操作在第24个SCLK下降沿执行，使用可用数据的前3个字节。不执行由24个以下SCLK周期组成的SPI操作。SPI操作的内容包括一个命令字节，后边跟双字节数据字。

图1所示为完整3线串行接口传输的时序图。以偏移二进制格式接受MAX5713/MAX5714/MAX5715的DAC编码设置(见表1)。此外，每条命令的预期数据格式列于表2。图3所示为典型SPI电路应用的例子。

### SPI菊花链/ $\overline{RDY}$ 输出 (仅限TSSOP封装)

菊花链应用中通常使用器件的延长编程操作。TSSOP版本MAX5713/MAX5714/MAX5715的 $\overline{RDY}$ 输出连接至菊花链中下一个器件的CSB输入。MAX5713/MAX5714/MAX5715在第24个SCLK的下降沿将 $\overline{RDY}$ 拉低，允许链中的下一个器件从第25个SCLK的下降沿开始其SPI工作。图2所示为延长SPI编程操作的时序图。实际应用( $t_{CRF} + t_{CSS0}$ )需求将限制菊花链SPI速度。而且，在菊花链应用中，只要满足用户选择不编程的第一个器件的 $t_{CSA}$ 条件，就有可能对菊花链进行部分写操作。图4所示为菊花链电路应用的例子。

表1. DAC数据格式位位置

PART	B15	B14	B13	B12	B11	B10	B9	B8	B7	B6	B5	B4	B3	B2	B1	B0
MAX5713	D7	D6	D5	D4	D3	D2	D1	D0	x	x	x	x	x	x	x	x
MAX5714	D9	D8	D7	D6	D5	D4	D3	D2	D1	D0	x	x	x	x	x	x
MAX5715	D11	D10	D9	D8	D7	D6	D5	D4	D3	D2	D1	D0	x	x	x	x



# MAX5713/MAX5714/MAX5715

四通道、超小尺寸8/10/12位  
缓冲输出DAC，内置基准和SPI接口

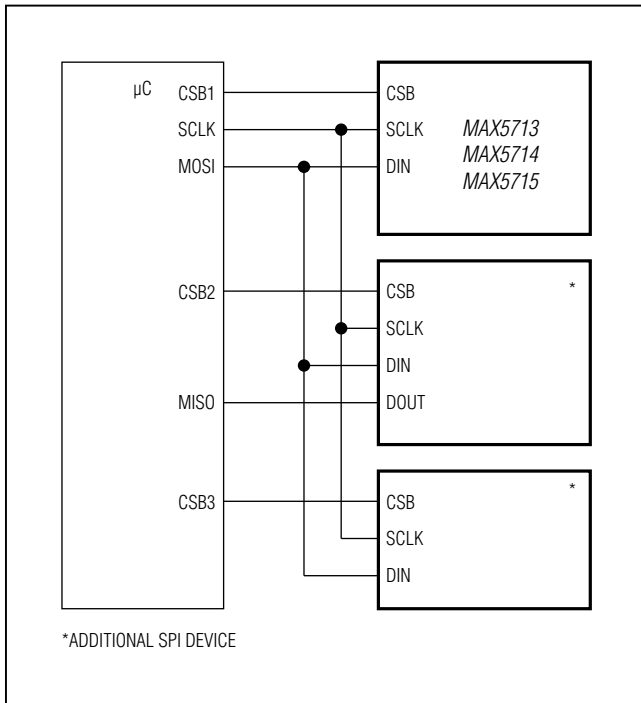


图3. 典型SPI应用电路

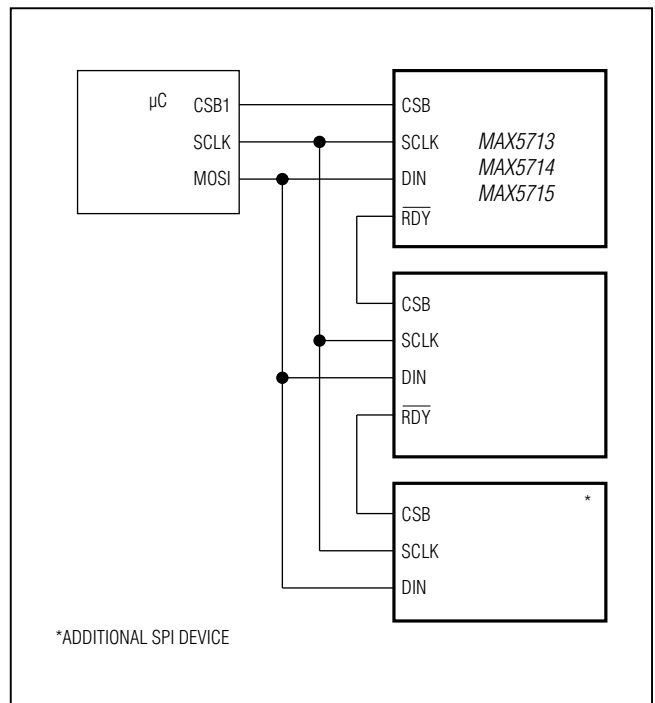


图4. 典型SPI菊花链应用电路

## SPI用户命令寄存器映射

本节列出了MAX5713/MAX5714/MAX5715的用户可访问命令和寄存器。

[表2](#)提供了关于命令寄存器的详细信息。



# MAX5713/MAX5714/MAX5715

## 四通道、超小尺寸8/10/12位 缓冲输出DAC，内置基准和SPI接口

表2. SPI命令汇总(续)

COMMAND	B23	B22	B21	B20	B19	B18	B17	B16	B15	B14	B13	B12	B11	B10	B9	B8	B7	B6	B5	B4	B3	B2	B1	B0	DESCRIPTION	
CONFIG	0	1	1	0		0	0	LD_EN	X	X	X	X			DAC B	DAC A	X	X	X	X	X	X	X	X	Sets the DAC Latch Mode of the selected DACs. Only DACs with a 1 in the selection bit are updated by the command. LD_EN = 0: DAC latch is operational (LOAD and LDAC controlled) LD_EN = 1: DAC latch is transparent	
REF	0	1	1	1	0	REF Power 0 = DAC 1 = CN	REF Mode 00 = EXT 01 = 2.5V 10 = 2.0V 11 = 4.1V		X	X	X	X	X	X	X	X	X	X	X	X	X	X	X	X	Sets the reference operating mode. REF Power (B18): 0 = Internal reference is only powered if at least one DAC is powered 1 = Internal reference is always powered	
<b>ALL DAC COMMANDS</b>																										
CODE_ALL	1	0	0	0	0	0	0	0																	Writes data to all CODE registers	
LOAD_ALL	1	0	0	0	0	0	0	1	X	X	X	X	X	X	X	X	X	X	X	X	X	X	X	X	Updates all DAC latches with current CODE register data	
CODE_ALL_LOAD_ALL	1	0	0	0	0	0	1	X																	Simultaneously writes data to all CODE registers while updating all DAC registers	
<b>NO OPERATION COMMANDS</b>																										
No Operation	1	0	0	1	X	X	X	X	X	X	X	X	X	X	X	X	X	X	X	X	X	X	X	X	X	These commands will have no effect on the device
Reserved Commands: Any commands not specifically listed above are reserved for Maxim internal use only.																										

# MAX5713/MAX5714/MAX5715

## 四通道、超小尺寸8/10/12位 缓冲输出DAC，内置基准和SPI接口

### *CODEn命令*

CODEn命令(B[23:20] = 0000)更新所选DAC的CODE寄存器内容。根据该命令更改CODE寄存器不直接影响DAC输出，除非LDAC输入处于低电平状态或DAC锁存配置为透明。如果发送CODEn命令时将DAC SELECTION设置为全部DAC，相当于CODE\_ALL (B[23:16] = 10000000)。请参见表2和表3。

### *LOADn命令*

LOADn命令(B[23:20] = 0001)通过装载CODE寄存器的当前内容，更新所选DAC的DAC寄存器。如果将DAC SELECTION设置为全部DAC时，可利用LOADn命令实现软件装载全部DAC，相当于LOAD\_ALL (B[23:16] = 10000001)命令。请参见表2和表3。

### *CODEn\_LOAD\_ALL命令*

CODEn\_LOAD\_ALL命令(B[23:20] = 0010)更新所选DAC的CODE寄存器内容，以及全部DAC的DAC寄存器内容。将不更新自上次装载DAC或LDAC操作以来CODE寄存器内容无更改的通道，以降低数字串扰。如果发送该命令时将DAC\_ADDRESS设置为全部DAC，相当于CODE\_ALL\_LOAD\_ALL (B[23:16] = 1000001x)命令。根据定义，CODEn\_LOAD\_ALL命令将更改至少一个CODE寄存器。为避免发

生这种情况，使用DAC SELECTION设置为全部DAC的LOADn命令或使用LOAD\_ALL命令。请参见表2和表3。

### *CODEn\_LOADn命令*

CODEn\_LOADn命令(B[23:20] = 0011)更新所选DAC的CODE寄存器内容，以及所选DAC的DAC寄存器内容。将不更新自上次装载DAC或LDAC操作以来CODE寄存器内容无更改的通道，以降低数字串扰。如果发送该命令时将DAC SELECTION设置为全部DAC，相当于CODE\_ALL\_LOAD\_ALL命令。请参见表2和表3。

### *CODE\_ALL命令*

CODE\_ALL命令(B[23:16] = 10000000)更新全部DAC的CODE寄存器内容。请参见表2。

### *LOAD\_ALL命令*

LOAD\_ALL命令(B[23:16] = 10000001)通过装载CODE寄存器的当前内容，更新全部DAC的DAC寄存器内容。请参见表2。

### *CODE\_ALL\_LOAD\_ALL命令*

CODE\_ALL\_LOAD\_ALL命令(B[23:16] = 1000001x)更新全部DAC的CODE寄存器内容，以及全部DAC的DAC寄存器内容。请参见表2。

表3. DAC选择

B19	B18	B17	B16	DAC SELECTED
0	0	0	0	DAC A
0	0	0	1	DAC B
0	0	1	0	DAC C
0	0	1	1	DAC D
X	1	X	X	ALL DACs
1	X	X	X	ALL DACs

# MAX5713/MAX5714/MAX5715

## 四通道、超小尺寸8/10/12位 缓冲输出DAC，内置基准和SPI接口

### POWER命令

MAX5713/MAX5714/MAX5715具有软件控制电源模式 (POWER)命令(B[23:20] = 0100)。POWER命令更新所选DAC的电源模式设置，而其余DAC的电源设置保持不变。新电源设置由位B[17:16]决定，利用B[11:8]选择受影响的DAC。如果全部DAC关断，器件进入STANDBY模式。

关断模式下，DAC输出从缓冲器断开，并通过两个可选的内部电阻之一接地，或者设置为高阻。表5所示为关断模式下可选的内部电阻值。关断模式下，DAC寄存器维持其值，以便在器件上电时可恢复输出。串行接口在关断模式下保持有效。

STANDBY模式下，内部基准可关断，或者将其设置为保持工作，以供外部使用。STANDBY模式下，使用外部基准的器件不装载REF引脚。请参见表4。

### SW\_RESET和SW\_CLEAR命令

SW\_RESET (B[23:16] = 01010001)和SW\_CLEAR (B[23:16] = 01010000)命令提供实现软复位和软清零操作的途径。利用SW\_CLEAR命令实现软清零操作，将全部CODE和DAC寄存器复位为零幅值。利用SW\_RESET命令将全部CODE、DAC和配置寄存器复位为其默认值。

表4. POWER (100)命令格式

B23	B22	B21	B20	B19	B18	B17	B16	B15	B14	B13	B12	B11	B10	B9	B8	B7	B6	B5	B4	B3	B2	B1	B0
0	1	0	0	0	0	PD1	PD0	X	X	X	X	D	C	B	A	X	X	X	X	X	X	X	X
POWER Command						Power Mode: 00 = Normal 01 = 1kΩ 10 = 100kΩ 11 = Hi-Z	Don't Care				Multiple DAC Selection: 1 = DAC Selected 0 = DAC Not Selected				Don't Care								
Default Values (all DACs) →						0	0	X	X	X	X	1	1	1	1	X	X	X	X	X	X	X	X

表5. 选择DAC输出在关断模式下的阻抗

PD1 (B17)	PD0 (B16)	工作模式
0	0	正常工作
0	1	关断，利用内部1kΩ电阻下拉至GND。
1	0	关断，利用内部100kΩ电阻下拉至GND。
1	1	关断，高阻输出。

# MAX5713/MAX5714/MAX5715

## 四通道、超小尺寸8/10/12位 缓冲输出DAC，内置基准和SPI接口

### CONFIG命令

CONFIG命令(B[23:20] = 0110)更新所选DAC的LDAC和LOAD功能。如果发送该命令时设置B16 = 0，允许DAC锁定至正常工作；如果B16 = 1，禁止DAC锁定，使其永久透明。更新所选DAC的模式设置，其余DAC的模式设置保持不变；DAC由位B[11:8]选择。请参见表6。

### REF命令

REF命令更新适用于全部DAC通道的全局基准设置。如果设置B[17:16] = 00，DAC使用外部基准；如果将B[17:16]

设置为01、10或11，则分别选择2.5V、2.048V或4.096V内部基准。

如果在REF命令中将RF2 (B18)设置为0 (默认值)，全部DAC通道在任何时间关断时，基准将关断(处于STANDBY模式)；如果将RF2 (B18 = 1)设置为1，即使全部DAC通道关断，基准仍维持上电，允许外部电路继续工作。该模式下，不存在1μA关断状态。请参见表7。

表6. CONFIG命令格式

B23	B22	B21	B20	B19	B18	B17	B16	B15	B14	B13	B12	B11	B10	B9	B8	B7	B6	B5	B4	B3	B2	B1	B0	
0	1	1	0	All	0	0	LDB	X	X	X	X	D	C	B	A	X	X	X	X	X	X	X	X	
CONFIG Command				0 = Select Individual DACs 1 = Select All DACs	CONFIG Command		0 = Normal 1 = Transparent	Don't Care				Multiple DAC Selection: 1 = DAC Selected 0 = DAC Not Selected				Don't Care								
Default Values (all DACs) →							0	X	X	X	X	1	1	1	1	X	X	X	X	X	X	X	X	X

表7. REF命令格式

B23	B22	B21	B20	B19	B18	B17	B16	B15	B14	B13	B12	B11	B10	B9	B8	B7	B6	B5	B4	B3	B2	B1	B0	
0	1	1	1	0	RF2	RF1	RF0	X	X	X	X	X	X	X	X	X	X	X	X	X	X	X	X	
REF Command					0 = Off in Standby 1 = On in Standby	REF Mode: 00 = EXT 01 = 2.5V 10 = 2.0V 11 = 4.0V		Don't Care								Don't Care								
Default Values →					0	0	0	X	X	X	X	X	X	X	X	X	X	X	X	X	X	X	X	X

# MAX5713/MAX5714/MAX5715

## 四通道、超小尺寸8/10/12位 缓冲输出DAC，内置基准和SPI接口

### 应用信息

#### 上电复位(POR)

电源加至 $V_{DD}$ 和 $V_{DDIO}$ 时，DAC输出复位为零。为优化DAC线性度，等待电源达到稳定，完成内部设置和校准序列(200 $\mu$ s，典型值)。

#### 电源和旁路考虑

用高品质陶瓷电容将 $V_{DD}$ 和 $V_{DDIO}$ 旁路至低阻地，尽量靠近器件。将引线长度降至最短，以减小引线电感。将GND连接至模拟接地区域。

#### 布局考虑

GND上的数字和交流瞬态信号会在输出产生噪声。将DAC系统的GND连接为星型地。将远端DAC负载作为该系统的参考地有助于获得最佳性能。采用适当的接地技术，例如带有低电感接地区域的多层电路板，或者采用星型拓扑将全部地回路连接至MAX5713/MAX5714/MAX5715的GND。须特别注意通道间的走线，以降低交流交叉耦合。不要使用绕线电路板或插座。采用屏蔽，提高抗噪性。不得并行排列模拟和数字信号线，特别是时钟信号。避免在MAX5713/MAX5714/MAX5715封装下方出现数字信号线。

### 定义

#### 积分非线性(INL)

INL是消除失调、增益误差后，测量传递函数与两个代码连接直线的偏差。

#### 微分非线性(DNL)

DNL是实际步长高度与1 LSB理想值之差。如果DNL的幅度 $\leq 1$  LSB，DAC可确保无丢码并且单调。如果DNL的幅度 $\geq 1$  LSB，DAC输出仍可能单调。

#### 失调误差

失调误差表示实际传递函数与理想传递函数的差异。通过在接近零编码和接近最大编码处进行两次测量，计算失调误差。

#### 增益误差

增益误差为消除失调误差后，理想的满幅输出电压与实际传递函数曲线满幅输出电压的差。该误差会改变传递函数的斜率，对应于每一步长的相同百分比误差。

#### 零幅误差

零幅误差为DAC设置为0编码时，输出电压与地之差。这包括失调和其它管芯电平非理想性。

#### 满幅误差

满幅误差为DAC设置为满幅时，输出电压与基准电压之差。这包括失调、增益误差和其它管芯电平非理想性。

#### 建立时间

建立时间是指从开始转换到DAC输出建立新的数值(达到规定的转换精度)所需要的时间。

#### 数字馈通

数字馈通是指触发DAC数字控制线时，在DAC输出端产生的噪声。

#### 数/模转换干扰脉冲

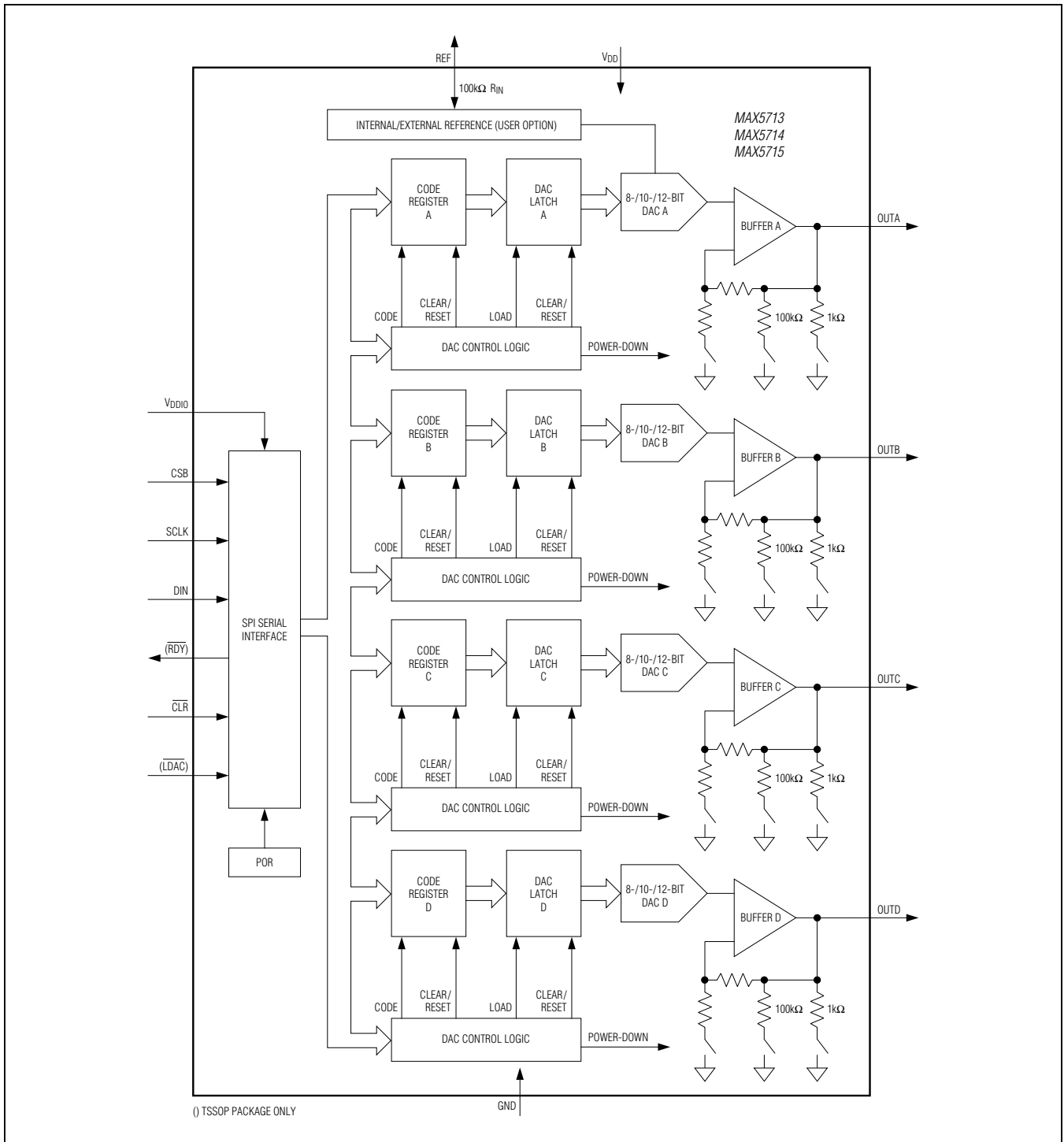
最高瞬变发生在中间刻度点——MSB由低电平变为高电平，其它所有数据位则由高电平变为低电平；或者MSB由高电平变为低电平，而其它数据位由低电平变为高电平。在这一跳变过程中，开关干扰持续脉冲幅度的持续时间称作数/模转换干扰脉冲。

数/模转换上电干扰指器件退出关断模式时所产生的开关干扰脉冲幅度的持续时间。

# MAX5713/MAX5714/MAX5715

四通道、超小尺寸8/10/12位  
缓冲输出DAC，内置基准和SPI接口

详细功能框图

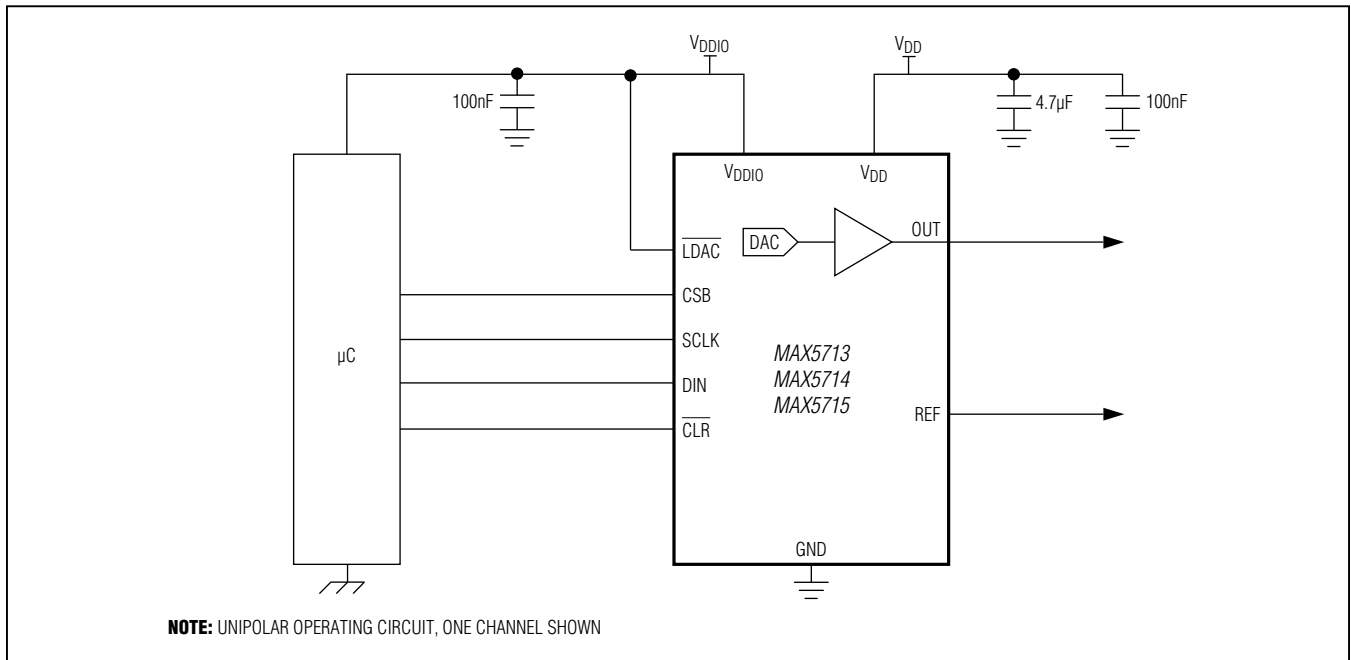
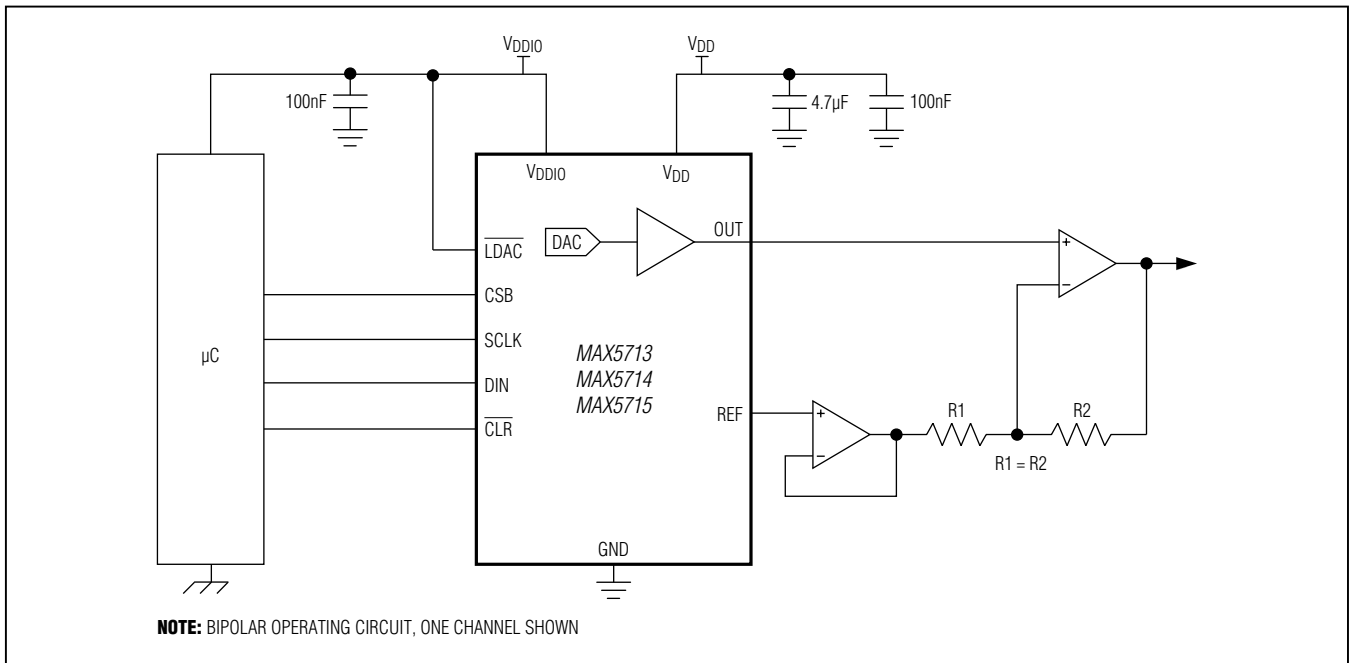




# MAX5713/MAX5714/MAX5715

四通道、超小尺寸8/10/12位  
缓冲输出DAC，内置基准和SPI接口

典型工作电路



# MAX5713/MAX5714/MAX5715

四通道、超小尺寸8/10/12位  
缓冲输出DAC，内置基准和SPI接口

订购信息

器件	引脚-封装	分辨率(位)	内部基准温度系数(ppm/°C)
MAX5713AUD+T*	14 TSSOP	8	10 (typ)
MAX5714AUD+T*	14 TSSOP	10	10 (typ)
MAX5715AAUD+T	14 TSSOP	12	3 (typ),10 (max)
MAX5715BAUD+T*	14 TSSOP	12	10 (typ)
MAX5715AWC+T	12 WLP	12	3 (typ),10 (max)

注：所有器件均可工作于-40°C至+125°C温度范围内。

+表示无铅(Pb)/符合RoHS标准的封装。

T = 卷带包装。

\*未来产品—供货状况请联系工厂。

## 芯片信息

## 封装信息

PROCESS: BiCMOS

如需最近的封装外形信息和焊盘布局(占位面积)，请查询[china.maximintegrated.com/packages](http://china.maximintegrated.com/packages)。请注意，封装编码中的“+”、“#”或“-”仅表示RoHS状态。封装图中可能包含不同的尾缀字符，但封装图只与封装有关，与RoHS状态无关。

封装类型	封装编码	外形编号	焊盘布局编号
14 TSSOP	U14+1	<a href="#">21-0066</a>	<a href="#">90-0113</a>
12 WLP	W121B2+1	<a href="#">21-0009</a>	参见 <a href="#">应用笔记：1891</a>

# MAX5713/MAX5714/MAX5715

## 四通道、超小尺寸8/10/12位 缓冲输出DAC，内置基准和SPI接口

### 修订历史

修订号	修订日期	说明	修改页
0	7/12	最初版本。	—
1	10/12	更新了电气特性、典型工作电路及订购信息。	5, 9, 10, 12, 13, 25, 26
2	11/13	更新了电气特性及订购信息。	7, 26

### Maxim北京办事处

北京8328信箱 邮政编码100083

免费电话: 800 810 0310

电话: 010-6211 5199

传真: 010-6211 5299



Maxim不对Maxim产品以外的任何电路使用负责，也不提供其专利许可。Maxim保留在任何时间、没有任何通报的前提下修改产品资料和规格的权利。电气特性表中列出的参数值(最小值和最大值)均经过设计验证，数据资料其它章节引用的参数值供设计人员参考。

**Maxim Integrated 160 Rio Robles, San Jose, CA 95134 USA 1-408-601-10 00**

**27**

© 2013 Maxim Integrated

Maxim标志和Maxim Integrated是Maxim Integrated Products, Inc.的商标。