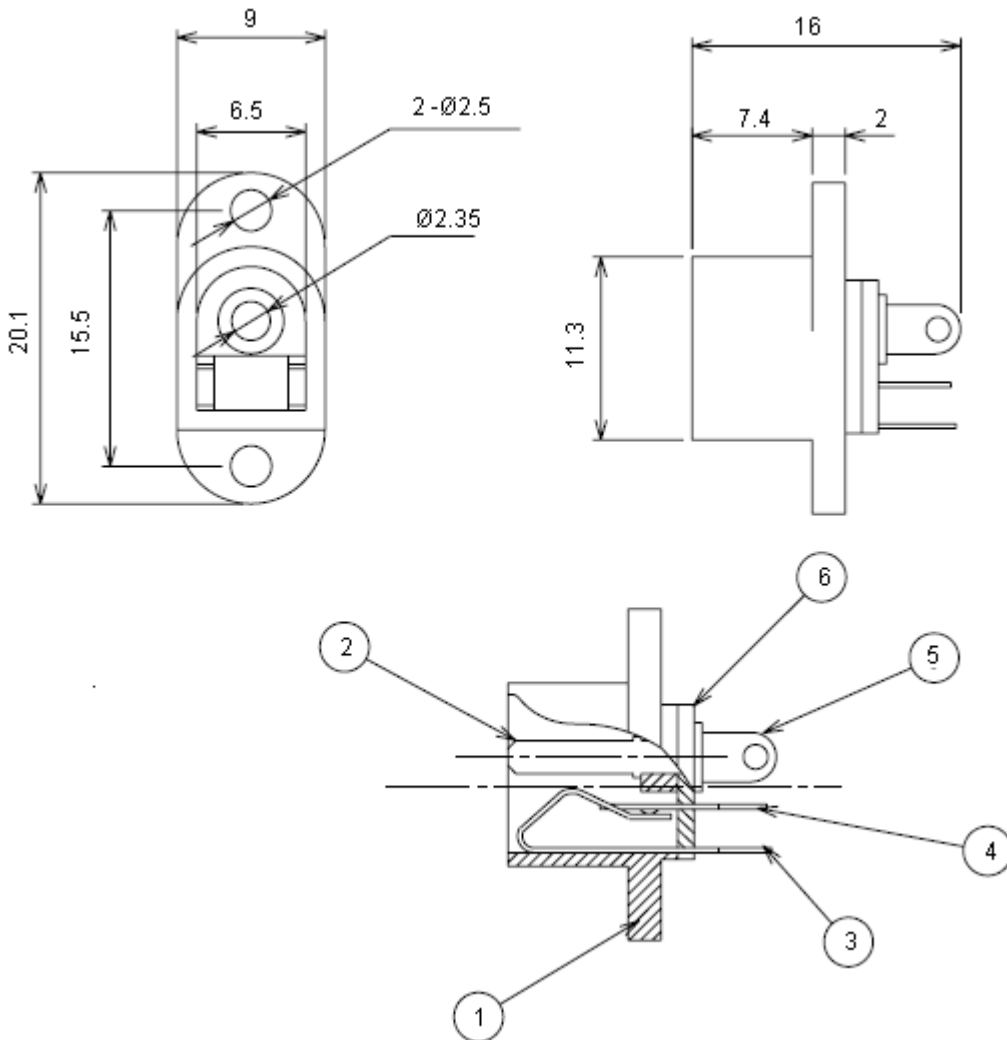


DC Socket

2.35mm



Dimensions : Millimetres

Specifications:

Maximum contact resistance	: 30m Ω .
Minimum insulation resistance	: 500V dc, 100M Ω .
Withstand voltage	: 500V ac for 1 minute