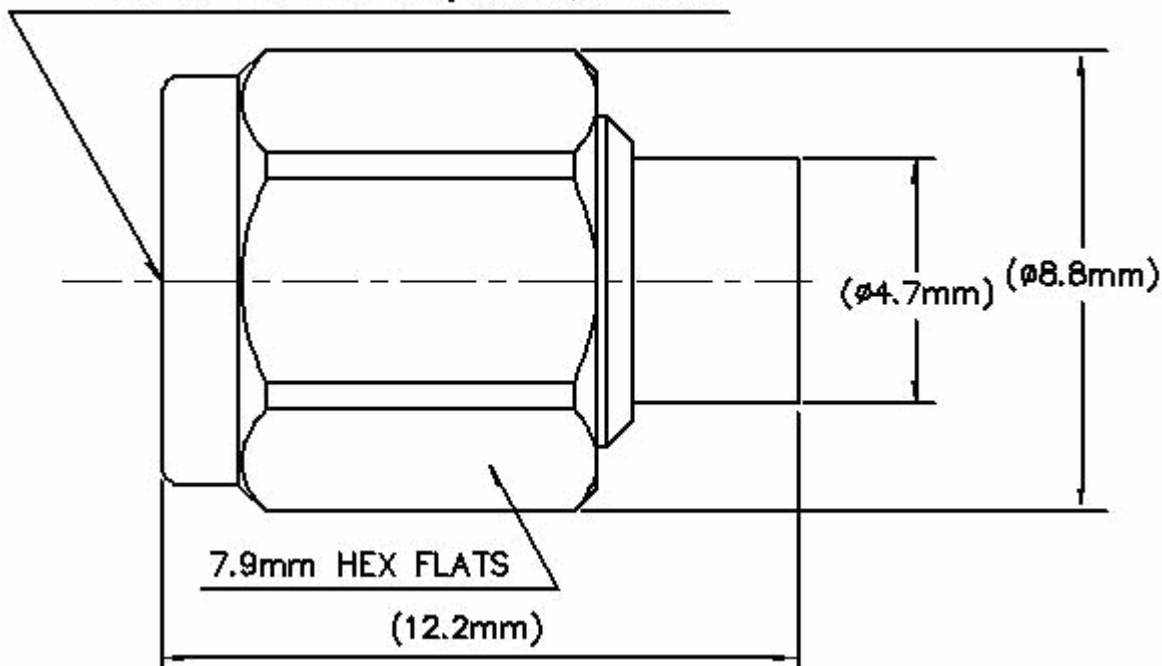


CN2100

SMA Male Connector for 0.141 Cable

MATES TO MIL-STD-348, OR EQUIVALENT



CHARACTERISTICS

Electrical

Recommended maximum operating frequency, GHz	18.00
RF operating voltage, max, VRMS	500.00
Insulation resistance, min, Megaohms	5,000.00
Connector impedance, ohms	50.00
Cable impedance, ohms	50.00
Insertion loss, max, dB	0.05 $\sqrt{\text{frequency(GHz)}}$
Connector Return Loss, dB	
<u>Start</u> <u>Stop</u> <u>Return Loss</u>	
0.00 - 2.70 GHz	35.00

Mechanical

Inner attachment method	Solder
Pressurizable	No
Minimum coupling nut torque, N-m (lb-in)	1.00 (8.85)
Minimum connector retention tensile force, N (lb)	270.00 (60.70)

Environmental

Operating temperature range, °C	-65.00°C - 125.00°C
---------------------------------	---------------------

Components

Coupling Nut	Material: Stainless Steel
	Exterior finish: Passivate

Customer Support Center:

From North America: 1-800-255-1479
 International: +1-708-873-2307

www.andrew.com

This Specification Sheet is for reference only and is subject to change without notice.
 Copyright © 2004 Andrew Corporation
 07 July 2004

CN2100

SMA Male Connector for 0.141 Cable

Body	Material:	Brass
	Exterior finish:	Gold Plate
Inner Contact	Material:	Brass
	Exterior finish:	Gold Plate
Insulator	Material:	PTFE
O-Ring	Material:	Silicone Rubber

Customer Support Center:

From North America: 1-800-255-1479
International: +1-708-873-2307

www.andrew.com

This Specification Sheet is for reference only and is subject to change without notice.
Copyright © 2004 Andrew Corporation
07 July 2004