

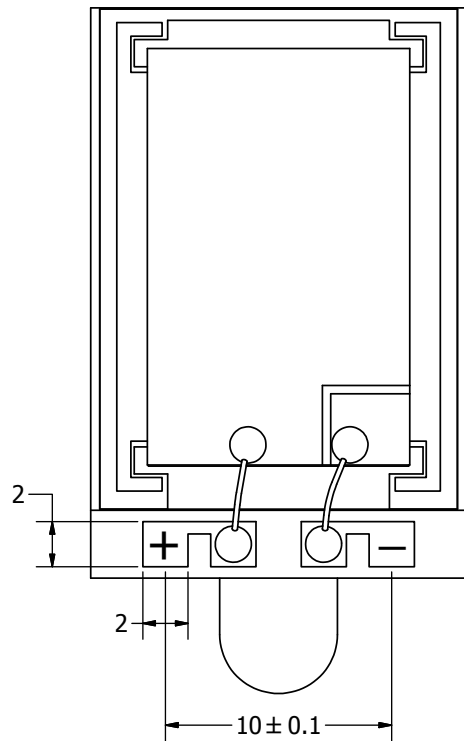
SPECIFICATIONS

PARAMETERS	VALUES	UNITS
RATED INPUT POWER	5	Vrms
MAX INPUT POWER	16	Vp-p
OUTPUT SPL @ 5Vrms/10cm (AT 1.0, 1.5, 2.0, 2.5 kHz)	75	dB
RESONANT FREQUENCY	900 ± 20%	Hz
FREQUENCY RANGE	300 ~ 20,000	Hz
HOUSING MATERIAL	PCB	-
OPERATING TEMPERATURE	-20 ~ +70	°C
WEIGHT	0.64	grams

THIS DOCUMENT CONTAINS DATA PROPRIETARY TO PROJECTS UNLIMITED, INC. ANY USE OR REPRODUCTION, IN ANY FORM, WITHOUT PRIOR WRITTEN PERMISSION OF PROJECTS UNLIMITED, INC. IS PROHIBITED.
©2003, Projects Unlimited Inc.

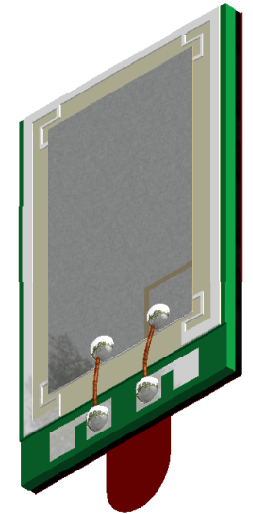
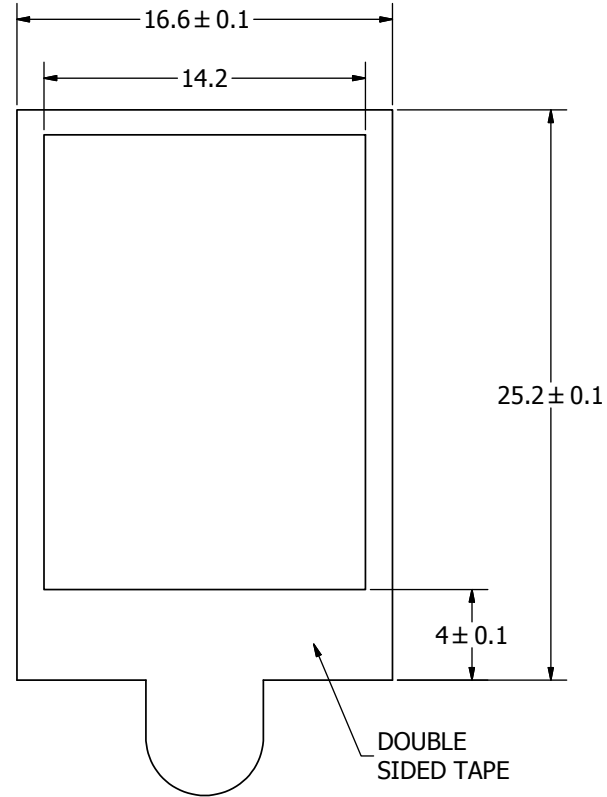
REVISION HISTORY

LTR	DESCRIPTION	DATE	APPROVED
-	RELEASED FROM ENGINEERING	6/2/2011	



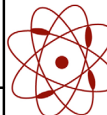
FIXED LAYER THICKNESS 0.5 mm

1.1 Max.



NOTES:

1. ALL DIMENSIONS ARE IN MILLIMETERS.
2. SPECIFICATIONS SUBJECT TO CHANGE OR WITHDRAWAL WITHOUT NOTICE.
3. THIS PART IS RoHS 2002/95/EC COMPLIANT.

UNLESS OTHERWISE SPECIFIED: DIMENSIONS ARE IN MILLIMETERS, TOLERANCES ARE ±0.5 AND ANGLES ARE ±3°.	SIZE	Designed by	Date	Checked by	Date	Approved by	Date	Drawn Date
	A3	J.D.	6/2/2011	M.L.	6/15/2011	B.R.	6/15/2011	6/2/2011
APS2509S-T-R.idw		 pui audio <small>a projects unlimited company</small>		APS2509S-T-R Speaker			Edition	Sheet
						-	1 / 1	