

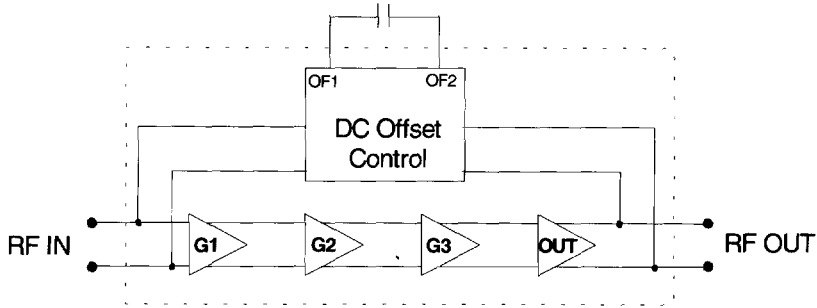
Wideband Limiting Amplifier
 Advanced Product Information
 Rev 0

FEATURES	APPLICATIONS
Single +5 V Supply DC - 10 Gb/s Operation 25 dB Small Signal Gain DC Input Offset Cancellation Differential Input/Output Low Pulse Width Distortion	SONET OC - 192 Fiber Optic Data Links Clock and Data Amplifier

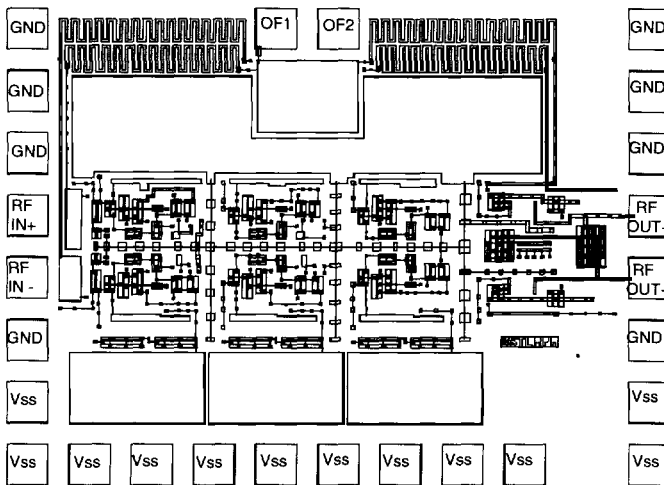
Electrical Specifications: $T_A = 25\text{ }^\circ\text{C}$, $V_{SS} = -5\text{V} \pm 10\%$

DC CHARACTERISTICS	MIN	TYP	MAX	UNIT
3 dB Bandwidth		7		GHz
Small Signal Gain		25		dB
Limiting Input Voltage (V_{in} , p-p)		55		mV
Data Output Voltage (V_{out} , p-p)		700		mV
Rise Time/Fall Time (20% - 80%)		50		psec
Input Return Loss		15		dB
Output Return Loss		15		dB
Gain Flatness		± 1		dB
Supply Current		230		mA
Power Dissipation		1.1		Watts
Operating Voltage Range	-5.5	-5.0	-4.5	Volts
Operating Temp Range	0		85	$^\circ\text{C}$
Storage Temp Range	-45		125	$^\circ\text{C}$

FUNCTIONAL BLOCK DIAGRAM



ALA90000 BOND PAD LAYOUT



PAD	FUNCTION
IN+	RF Input +
IN-	RF Input -
OUT+	RF Output +
OUT -	RF Output -
Vss	Power Supply Input
OF1	Pad for External Capacitor
OF2	Pad for External Capacitor
GND	Ground