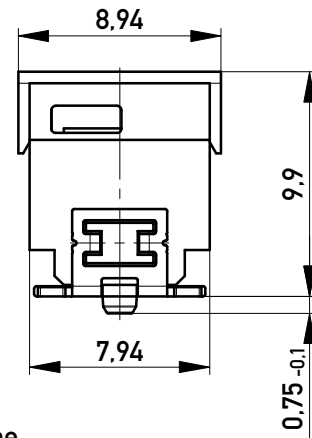
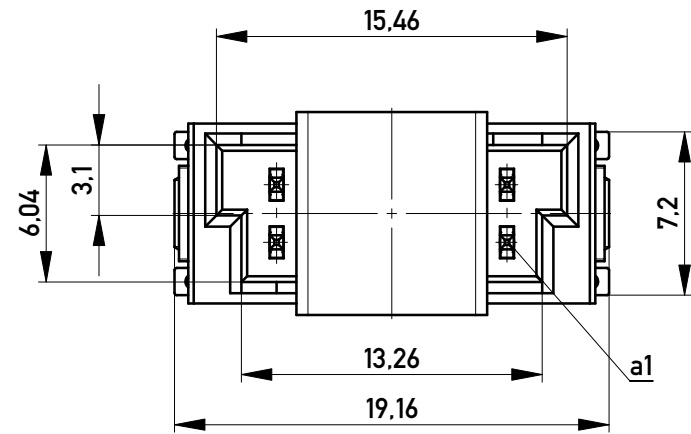
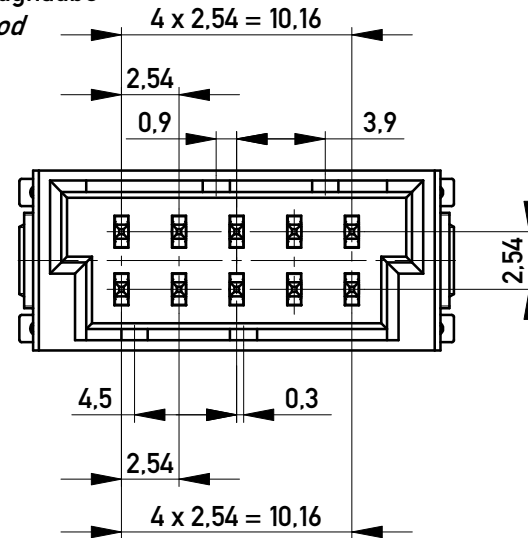


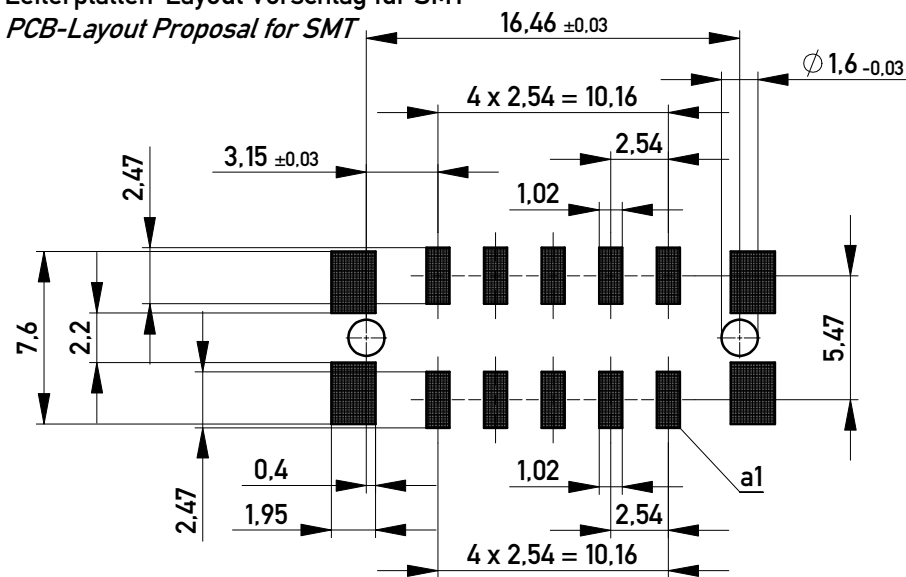
Ansaughaube
hood



ohne Ansaughaube
without hood



Leiterplatten-Layout Vorschlag für SMT
PCB-Layout Proposal for SMT



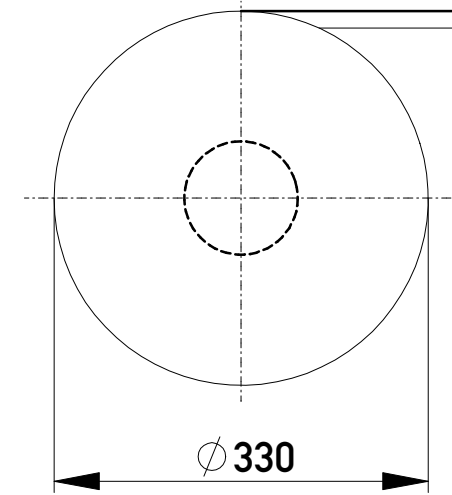
Anforderungsstufe 1
Performance Level 1

Kontaktbereich vergoldet
Mating Area gold plating

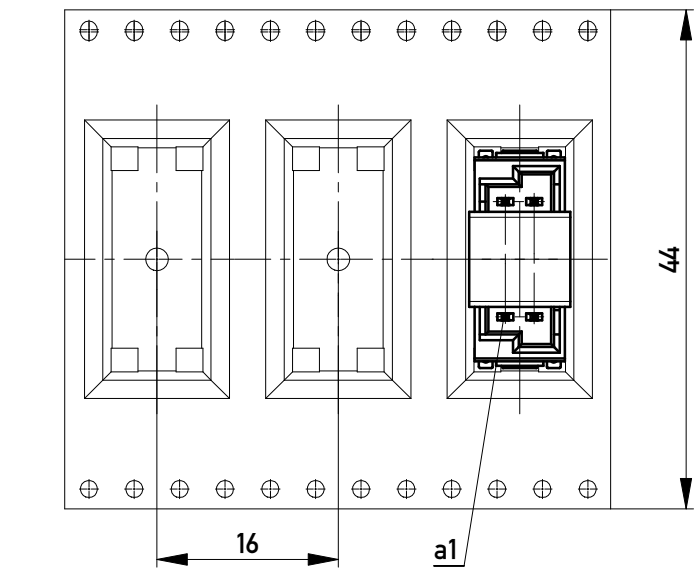
Anschlussbereich verzinkt 4-6 µm
Terminal Area 4-6 µm tin plating

Koplanarität der Anschlüsse ≤ 0,1 mm
Coplanarity Area of Termination ≤ 0,1 mm

Verpackt im Gurt nach DIN IEC 60286-3
Tape on Reel Packaging according to DIN IEC 60286-3
Verpackungseinheit: 320 Stück
Packaging unit: 320 pcs



Abspulrichtung - Reel off Direction



für höhere Spannungsfestigkeit
for higher voltage proof

Copyright by ERNI Production GmbH & Co. KG
Proprietary notice pursuant to ISO 16016 to be observed.

Information: Codierung rot - coding red		Tolerances	All Dimensions in mm	Scale 3:1
All rights reserved. Only for Information. To ensure that this is the latest version of this drawing, please contact one of the ERNI companies before using.		Subject to modification without prior notice. Drawing will not be updated.		Designation M 2.54 DRC-Q, 10-polig
www.ERNI.com		102003210045		K
a	06.06.2014	Class DRCQ		A3
Index	Date			