

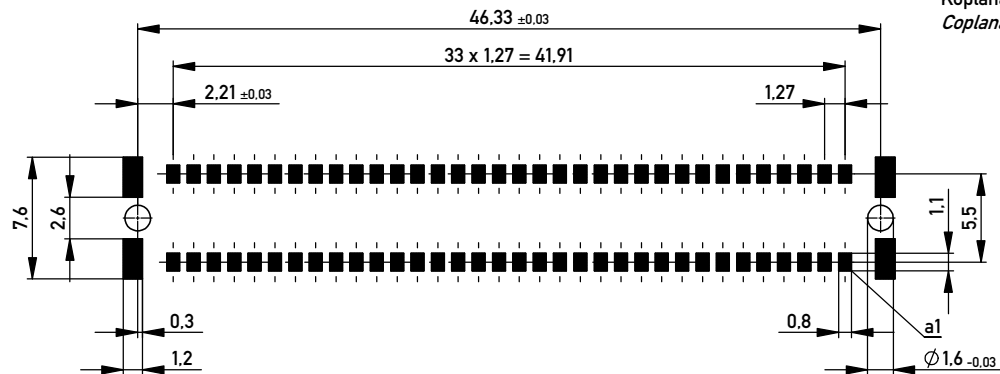
Anforderungsstufe 1  
Performance Level 1

Kontaktbereich vergoldet  
Mating Area gold plating

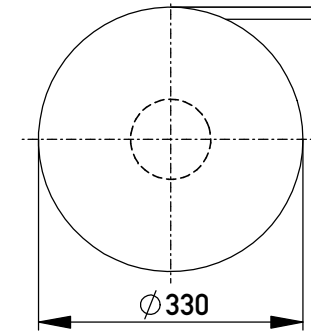
Anschlussbereich verzinkt 4-6 µm  
Terminal Area 4-6 µm tin plating

Koplanarität der Anschlüsse ≤ 0.1 mm  
Coplanarity Area of Termination ≤ 0.1 mm

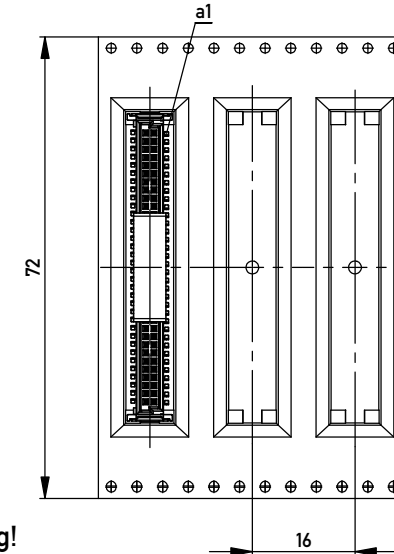
Leiterplatten-Layout Vorschlag für SMT  
PCB-Layout Proposal for SMT



Verpackt in Gurtverpackung  
Tape on Reel Packaging  
Verpackungseinheit: 280 Stück  
Packaging unit: 280 pcs

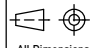


Abspulrichtung - Reel off Direction



Extra durable Au plating!

BA 7-13 - 8mm Bauhöhe  
type 7-13 - Low Profile

Information: Anforderungsstufe 107 / class 107  All rights reserved. Only for Information. To ensure that this is the latest version of this drawing, please contact one of the ERNI companies before using.	Tolerances  All Dimensions in mm	Scale 3:1	Designation <b>Messerrl. SMC-Q 68-SMD-BA7-13</b> <b>Male SMC-Q 68-SMD-type7-13</b>
c Index	24.09.2013 Date	Class SMCQ	

Copyright by ERNI GmbH  
 Proprietary notice pursuant to ISO 16949 to be observed.