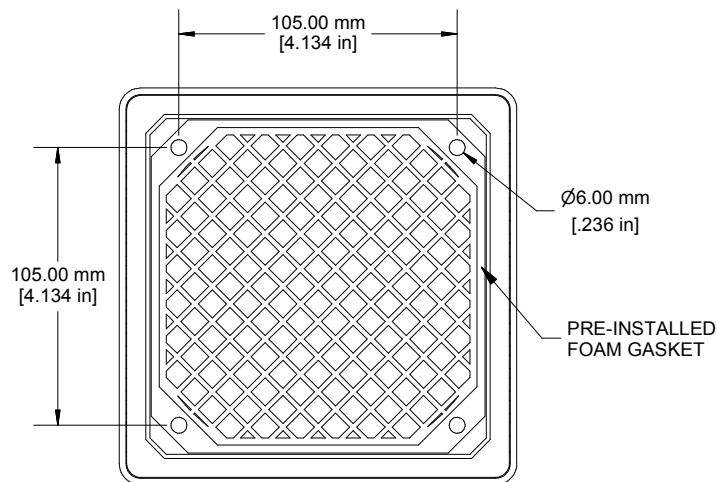


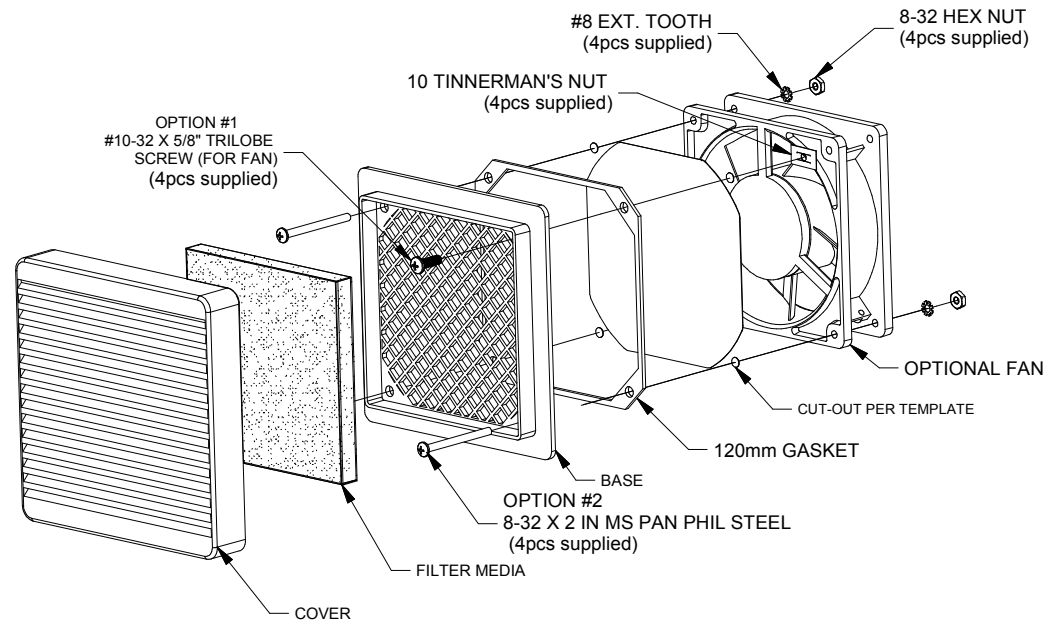
**FRONT VIEW OF ASSEMBLY**



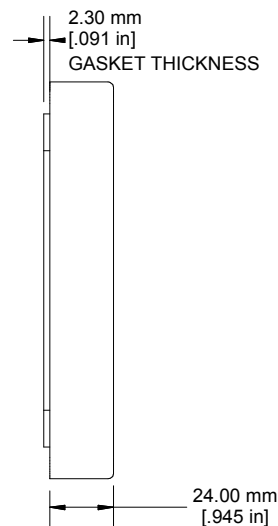
**BOTTOM VIEW OF ASSEMBLY**



**REAR VIEW OF ASSEMBLY**



**SIDE VIEW OF ASSEMBLY**



**NOTE**

Purchased assembly includes snap-together Cover and Base (FRABS UL94-V0), foam EVA gasket, stainless steel mounting hardware, filter media and installation template.

**PART NUMBERS**

XPFA120 Filter Fan Grill	
Black	XPFA120BK
Beige - RAL7032	XPFA120CG
Gray - ANSI 61	XPFA120GY
Light Gray - RAL7035	XPFA120LG
Accessories	
Standard Filter Media (Pkg of 5)	PFF2000
Pleated Filter Media (Pkg of 5)	PLFF2000

**\* HARDWARE OPTIONS:**

- #10-32 X 5/8" TRILOBE SCREW WILL SELF-TAP INTO HOLES ON OPTIONAL FAN, OR CAN BE USED WITH #10 TINNEMAN'S NUT WITH GRILL ONLY.
- 8-32 X 2" SCREW TO BE USED WITH OPTIONAL FAN.

**HAMMOND  
MANUFACTURING™**

**XPFA120**

www.hammondmfg.com