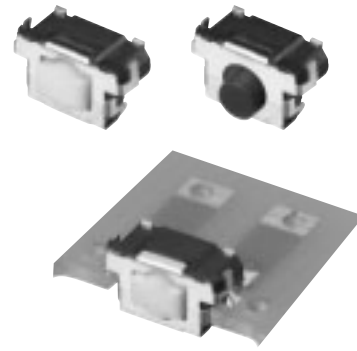


6.2 mm×2.5 mm Side-operational Edge Mount

Light Touch Switches

Type: **EVQP4**



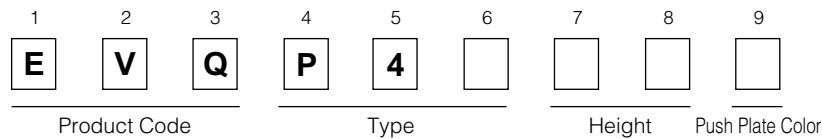
■ Features

- External dimensions : 6.2 mm×2.55 mm (Excluding the push plate), Height 3.5 mm (EVQP4 Type : Printed circuit board being as low as 1.35 mm)
- Side-operational middle stroke type (0.7 mm) with a high operating force (5.0 N)
- Improved soldering strength in the operating direction when mounted on PC board edge

■ Recommended Applications

- Operation switches for portable electronic equipment (Mobile phones, Digital still cameras, Camcorders, Portable audio players, etc.)
- Keyless entry (car electronics)
- Car audio equipment

■ Explanation of Part Numbers


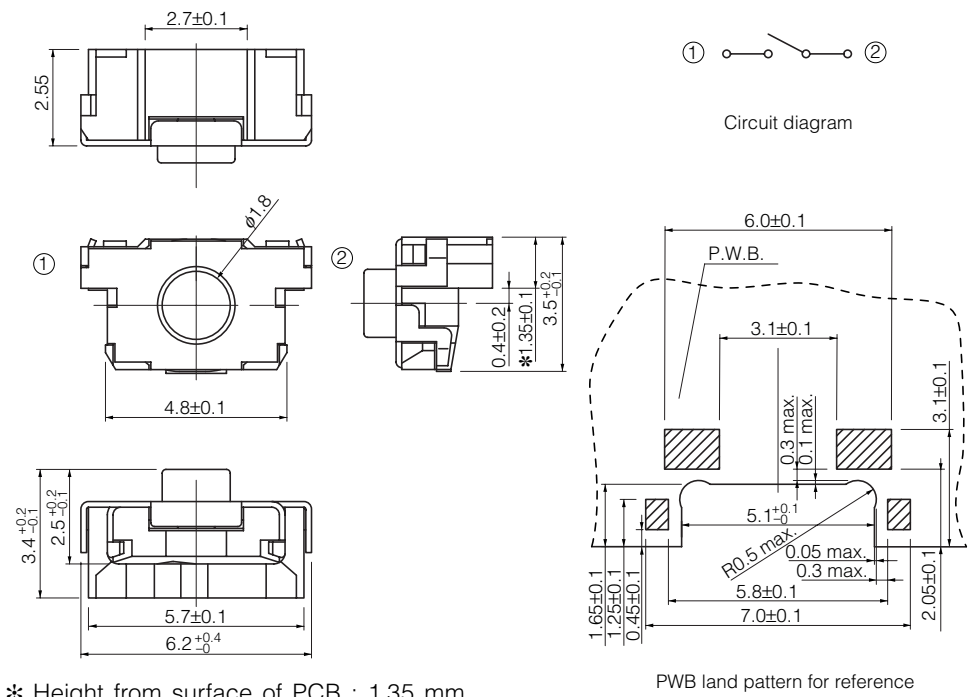

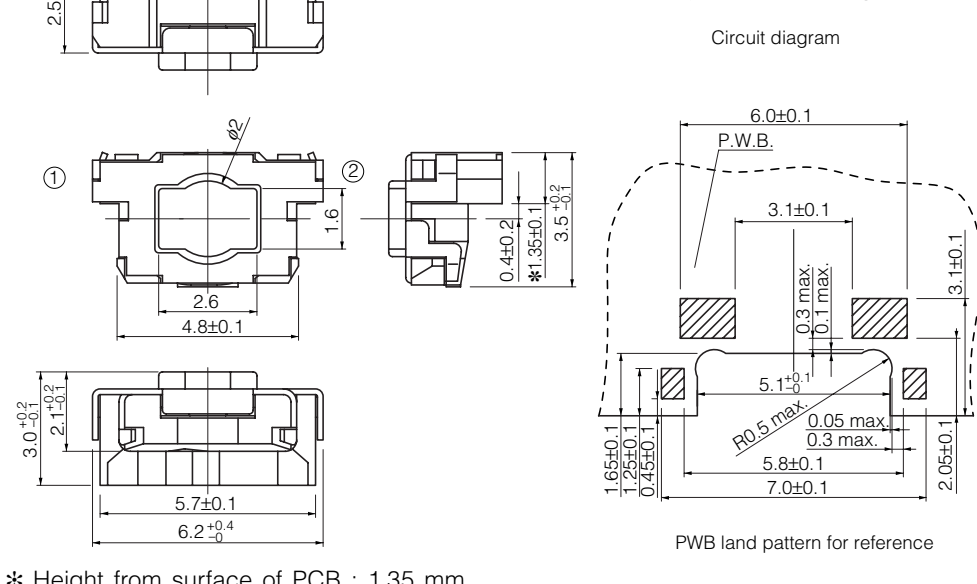


■ Specifications

Travel Type		Middle Push Travel	Short Push Travel
Type		Snap action / Push-on type SPST	
Electrical	Rating	10 μ A 2 Vdc to 20 mA 15 Vdc (Resistive load)	
	Contact Resistance	100 m Ω max.	
	Insulation Resistance	100 M Ω min. (at 100 Vdc)	
	Dielectric Withstanding Voltage	250 Vac (1 minute)	
	Bouncing	10 ms max. (ON, OFF)	
Mechanical	Operating Force	2.5 N, 3.5 N, 5.0 N	1.0 N, 1.6 N, 2.4 N, 3.5 N
	Travel	0.70 mm \pm 0.2 mm	0.25 mm $^{+0.05}_{-0.15}$ mm
	Push Strength	50 N (1 minute)	
Endurance	Operating Life	2.5 N: 1000000 cycles min.	1.0 N, 1.6 N: 1000000 cycles min.
		3.5 N: 500000 cycles min.	2.4 N: 500000 cycles min.
		5.0 N: 200000 cycles min.	3.5 N: 200000 cycles min.
Operating Temperature		-40 °C to +85 °C	
Storage Temperature		-40 °C to +85 °C (Bulk) -20 °C to +60 °C (Taping)	
Minimum Quantity/Packing Unit		2500 pcs. Embossed Taping (Reel Pack)	
Quantity/Carton		12500 pcs.	

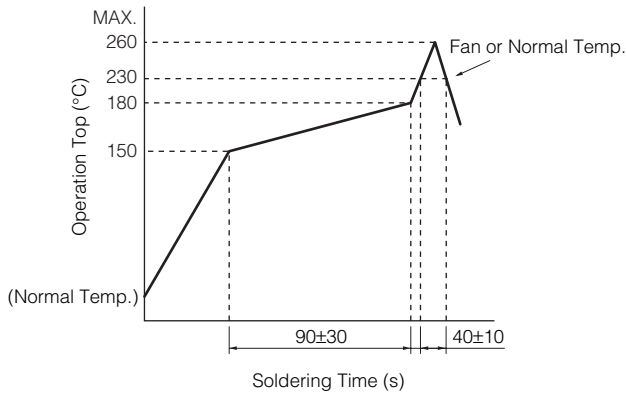
Design and specifications are each subject to change without notice. Ask factory for the current technical specifications before purchase and/or use. Should a safety concern arise regarding this product, please be sure to contact us immediately.

■ Dimensions in mm (not to scale)

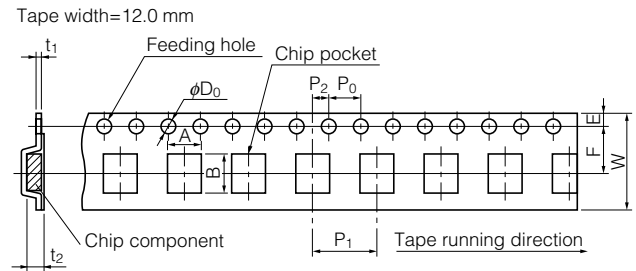
<p>No. 1</p> <p>EVQP4</p> <p>Middle push travel</p> 	 <p>* Height from surface of PCB : 1.35 mm</p>			
<p>Part Numbers</p>	<p>Operating Force</p>	<p>Height</p>	<p>Push Plate Color</p>	<p>Operating Life</p>
<p>EVQP4HB3B</p>	<p>2.5 N</p>	<p>3.5 mm</p>	<p>Blue</p>	<p>1000000 cycles</p>
<p>EVQP4KB3Q</p>	<p>3.5 N</p>	<p>3.5 mm</p>	<p>Grey</p>	<p>500000 cycles</p>
<p>EVQP4MB3K</p>	<p>5.0 N</p>	<p>3.5 mm</p>	<p>Black</p>	<p>200000 cycles</p>
<p>No. 2</p> <p>EVQP4</p> <p>Short push travel</p> 	 <p>* Height from surface of PCB : 1.35 mm</p>			
<p>Part Numbers</p>	<p>Operating Force</p>	<p>Height</p>	<p>Push Plate Color</p>	<p>Operating Life</p>
<p>EVQP40B3M</p>	<p>1.0 N</p>	<p>3.5 mm</p>	<p>Natural</p>	<p>1000000 cycles</p>
<p>EVQP42B3M</p>	<p>1.6 N</p>	<p>3.5 mm</p>	<p>Natural</p>	<p>1000000 cycles</p>
<p>EVQP44B3M</p>	<p>2.4 N</p>	<p>3.5 mm</p>	<p>Natural</p>	<p>500000 cycles</p>
<p>EVQP46B3M</p>	<p>3.5 N</p>	<p>3.5 mm</p>	<p>Natural</p>	<p>200000 cycles</p>

Design and specifications are each subject to change without notice. Ask factory for the current technical specifications before purchase and/or use.
Should a safety concern arise regarding this product, please be sure to contact us immediately.

■ Recommended Reflow Soldering Conditions



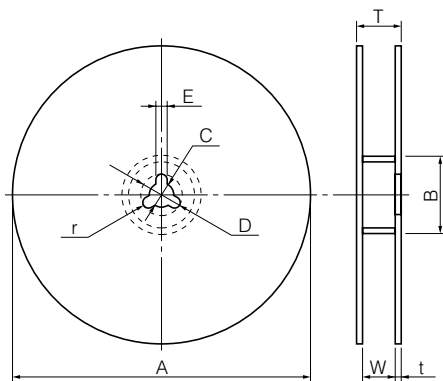
● Embossed Carrier Taping



Unit: mm

Part No.	Height	A	B	W	F	E	P_1	P_2	P_0	D_0 Dia.	t_1	t_2
EVQP4	3.5	6.5±0.2	3.9±0.2	12.0±0.3	5.5±0.1	1.75±0.10	8.0±0.1	2.0±0.1	4.0±0.1	1.5 ^{+0.1} ₋₀	0.4±0.1	3.75±0.20

● Standard Reel Dimensions in mm (not to scale)



Item	A	B	C	D	E
Rate (mm)	$\phi 370.0 \pm 2.0$	$\phi 50.0$ min.	$\phi 13.0 \pm 0.5$	$\phi 21.0 \pm 1.0$	2.0±0.5

Item	W	T	t	r
Rate (mm)	14.0±1.5	—	1.0 to 3.0	1.0±0.5