

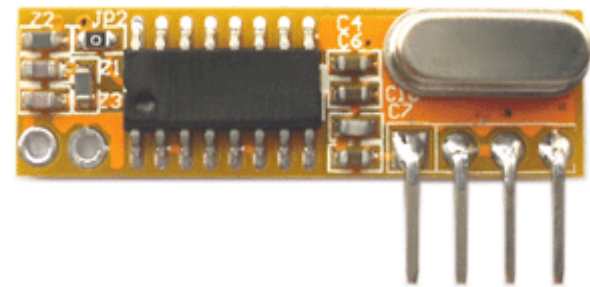
ASK OOK Receiver Module

ET-RXB-12 is ASK OOK Receiver Module, it adopts LSI circuit with high frequency and low noise which import from Europe. It has strong antistatic protection, high reliability and competitive price. Easy pass kinds of FCC or CE certification.

It has ability to restrain the radiation, can work with several module (one transmitter module and several receiver module) at the same time, and have no interference to each other, and don't influence the receiving distance.

Key Feature

- ◆ Modulation Mode : ASK / OOK
- ◆ Operating Frequency : 433.92 / 315 Mhz
- ◆ Operating Voltage : 3.3~5.5 V
- ◆ Operating Current : 2.5~2.7 mA (5.0V 315Mhz);
3.8~4.1 mA (5.0V 433.92Mhz)
- ◆ Data Rate : 2.4 Kbps
- ◆ Sensitivity : -107 dbm
- ◆ Operating Temperature : -30~+85 °C
- ◆ Working Distance : 300 m
- ◆ Dimension : 30*8.5*5 mm



Application

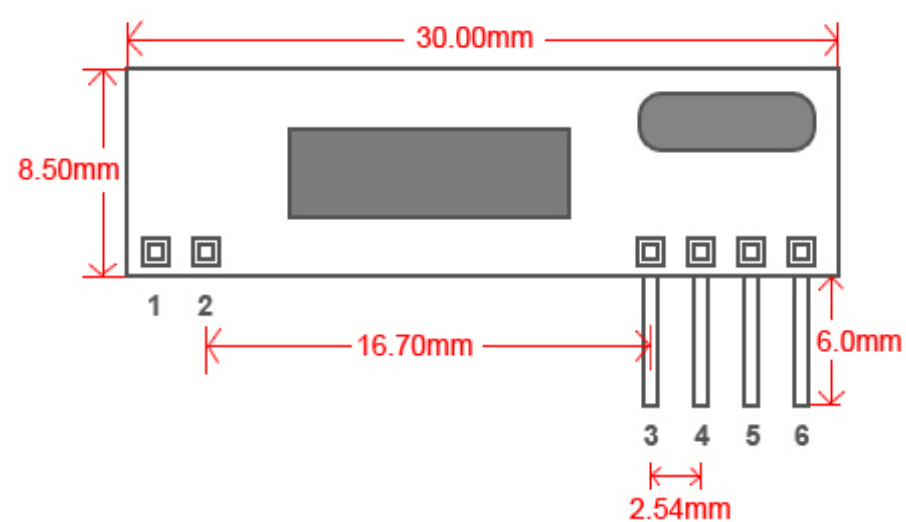
- ◆ Car security system
- ◆ Remote keyless entry
- ◆ Garage door controller
- ◆ Home security
- ◆ Wireless mouse
- ◆ Automation system

Electrical Characteristics

Parameter	Symbol	Condition	Specification			Unit
			Min	Typical	Max	
Operating frequency	Fc		314.9	315	315.1	MHz
Modulation mode			ASK			
Sensitivity		1 Kbps / 50Ω		-107		dBm
Bandwidth				200		KHz
Turn on time	Ton				20	ms
Operating Voltage	VCC		3.3	5	5.75	V
Operating current	IRC		2.5	2.5	2.7	mA
Operating temperature			-30		85	°C

Parameter	Symbol	Condition	Specification			Unit
			Min	Typical	Max	
Operating frequency	Fc		433.82	433.92	434.02	MHz
Modulation mode			ASK			
Sensitivity		1 Kbps / 50Ω		-107		dBm
Bandwidth				200		KHz
Turn on time	Ton				9	ms
Operating Voltage	VCC		3.3	5	5.75	V
Operating current	IRC		3.8	3.9	4.1	mA
Operating temperature			-30		85	°C

Pin Dimension



1 : ANT 2 : GND 3 : VCC 4 : DATA 5 : DATA 6 : GND

NOTE :

ET-RXB-12 Drive Current from Data-PIN is weak, **if directly connection with Driving Chip** which I/O can not connect Pull Up Resistor or Pull Down Resistor, Driving Chip inner Pull Up Resistor and Pull Down Resistor turn to Disabled State.