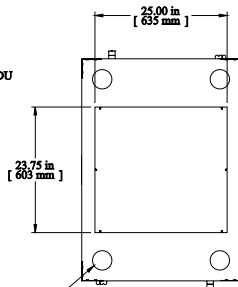
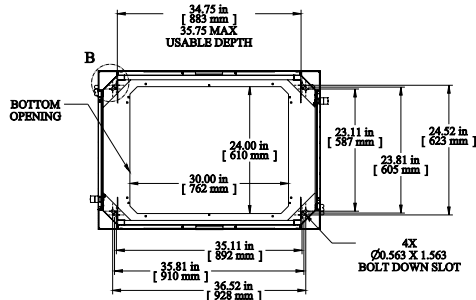


DETAIL B
2.5:1

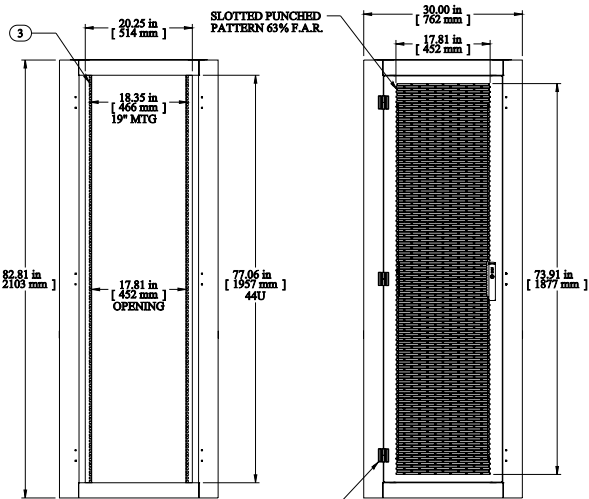
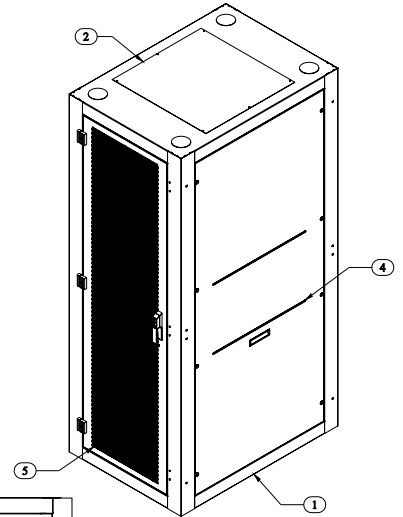
5X
TAPPED 1/4-20
HOLES ON CORNER
SUPPORT FOR VCT OR PDU
MTG CLIPS, TYP



TOP VIEW

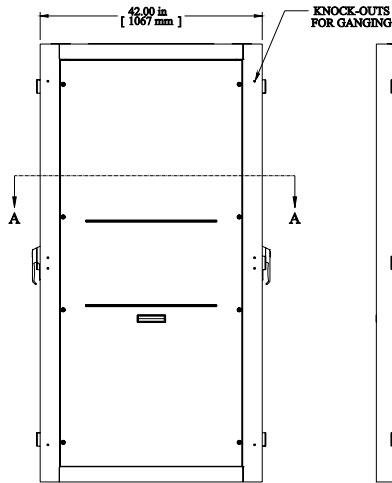


SECTION A-A

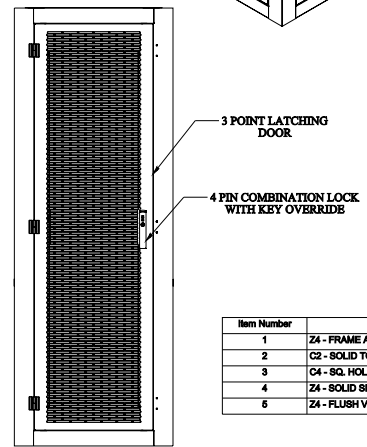


FRONT VIEW
DOORS REMOVED

FRONT VIEW



SIDE VIEW



REAR VIEW

Item Number	Title	Quantity
1	Z4 - FRAME ASSEMBLY	1
2	C2 - SOLID TOP PANEL	1
3	C4 - SQ. HOLE PANEL RAILS (PAIR)	2
4	Z4 - SOLID SIDE PANEL (SINGLE)	2
5	Z4 - FLUSH VENTED DOOR	2

Data subject to change without notice. Isometric drawing not to scale.

www.hammondmg.com

PART NO. Z4A307742BK