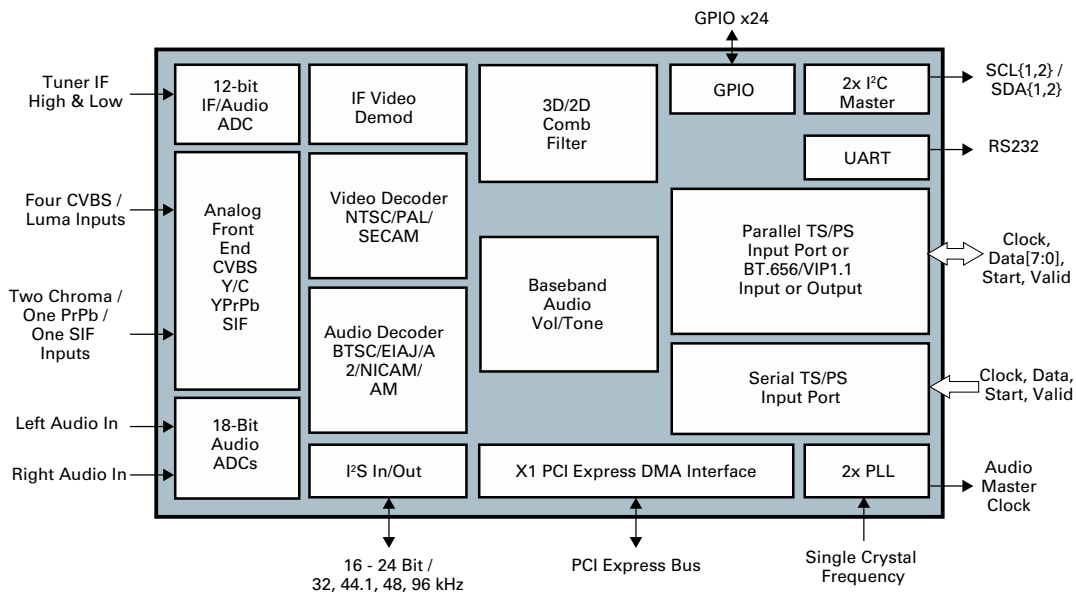




Features

- Support for the following audio formats – Stereo, Mono, Dual Language (Mono), Tri Language (Trivox)
- Two I²C master ports (Two ports are provided for a two tuner design to isolate I²C transactions to reduce noise.)
- Macrovision 1.0 Detection Compliant
- Support for the following video formats – Composite, S-Video, 480i YPrPb, RGB Packed, YCrCb Packed, 10-bit Packed, and YCrCb/YUY2 Format
- Advanced Consumer IR functionality enables systems to learn, receive and blast IR signals
- High-quality multi-tap horizontal and vertical image scaler for decoded video or 4:2:2 sources
- I²s in/out
- Auxiliary Phase Locked Loop (PLL) clock for general use
- Integrated analog IF demodulator for low or high IF tuners
- Adaptive 3D comb filtering via host memory
- PCI Express 1.0a compliant bus
- Worldwide audio and video decoding
- Automatic video and broadcast audio standards detection and configuration
- Flexible video input MUX supporting composite, S-Video, and component inputs with integrated anti-alias filtering
- Integrated sigma-delta stereo audio ADCs with 4:2 MUX
- Audio sample rate converters on all inputs and outputs
- Two MPEG transport stream ports: Parallel and Serial
- Two program stream inputs accommodating Serial or Parallel interfaces
- Programmable VBI data slicer for data services such as closed caption, WSS, and program guides such as Gemstar 1x & 2x
- ITU-R BT.656 Input Port and ITU-R BT.656 Output Port



CX23888 Block Diagram

Conexant Product Portfolio

Conexant's comprehensive product portfolio includes solutions for imaging, audio, and video applications, and analog modems that enable cost-effective Internet access. The company's broadband access products include end-to-end solutions for xDSL networks, and PON solutions for fiber optic applications.

© 2008 Conexant Systems, Inc. All Rights Reserved. Conexant and the Conexant logo are registered trademarks of Conexant Systems, Inc. All other trademarks are owned by their respective owners. Although Conexant strives for accuracy in all its publications, this material may contain errors or omissions and is subject to change without notice. **THIS MATERIAL IS PROVIDED AS IS AND WITHOUT ANY EXPRESS OR IMPLIED WARRANTIES, INCLUDING MERCHANTABILITY, FITNESS FOR A PARTICULAR PURPOSE AND NON-INFRINGEMENT.** Conexant shall not be liable for any special, indirect, incidental or consequential damages as a result of its use.

www.conexant.com
General Information:
 U.S. and Canada: (888) 855-4562
 International: 1+ (949) 483-3000
Headquarters
 4000 MacArthur Blvd.
 Newport Beach, CA 92660
 Doc# PBR-200974

