

## New from Amphenol PCD—APeX Galley Connector, Circular



The new **APeX Galley Connector, Circular** is the latest circular connector from Amphenol Pcd. Designed specifically for legacy and new generation galley systems, it was tested to MIL-STD-1344 connector and EN 2591 contact standards. Highly reliable and easy to use, this blind-mate connector is also interchangeable and intermateable with other pre-existing equipment in the field.

### Benefits at a Glance

#### Intermateable and Interchangeable

Ability to mate with other pre-existing equipment in the field

#### Versatility

Crimp termination connection system with 3 Power (10 AWG) & 3 Control (16 AWG)

#### Blind-Mate Connection

Designed with a key feature to enable quick and simple, blind-mating

#### Highly Reliable and Durable

Tested to MIL-STD 1344 and EN 2591 standards; high frequency mating

#### Many Choices

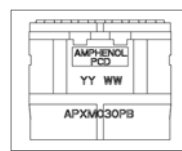
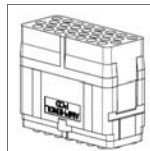
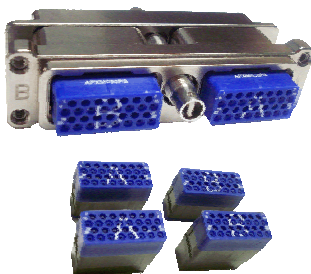
Configurable to PCB contacts; plating options available

#### Intuitive and Ergonomic

Smooth, low insertion force to mate connector

### Other APeX Rectangular Connectors

#### 30-pin insert, Size 20



Part Number	Polarization	Contact
APXM030PA	A	none
APXM030PB	B	none
APXM130PA	A	CNP820100
APXM130PB	B	CNP820100

Contact us or more information

### Other High Performance Products



#### Luminus Series

- Environmentally sealed
- Easy to use
- Lightweight
- Standard AS39029 contacts
- Multiple configurations



#### Quick Mount Relay Sockets

- Quick and easy installation
- No hardware or tools required
- Reduces FOD
- Lightweight



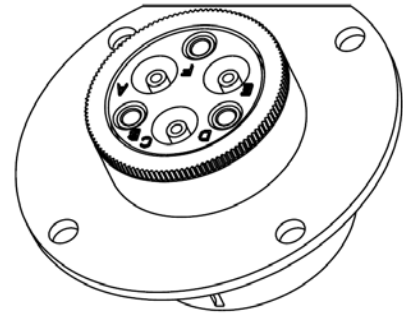
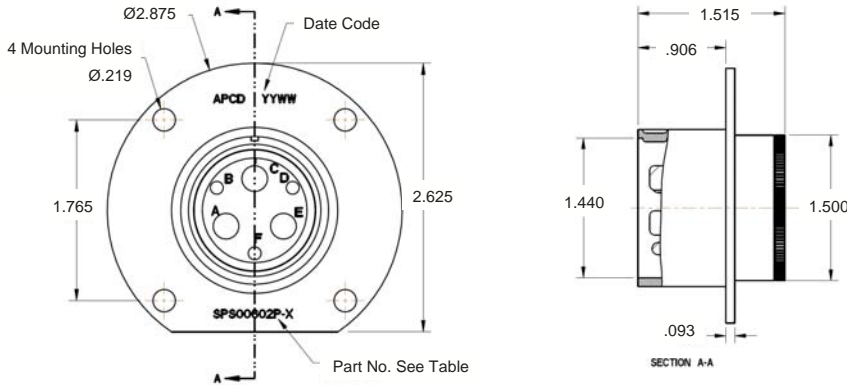
#### High Performance P-Clamps

- PEEK polymer
- Non-corrosive & Non-conductive
- Overmolded silicone cushions
- Lightweight & durable

72 Cherry Hill Drive  
Beverly, MA 01915 USA  
info@amphenolpcd.com  
978-624-3400

# Amphenol

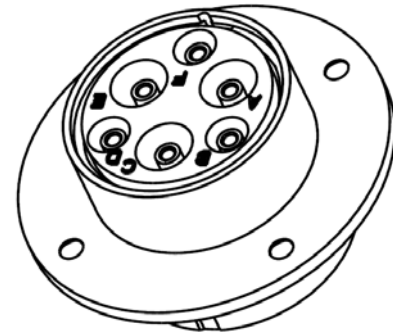
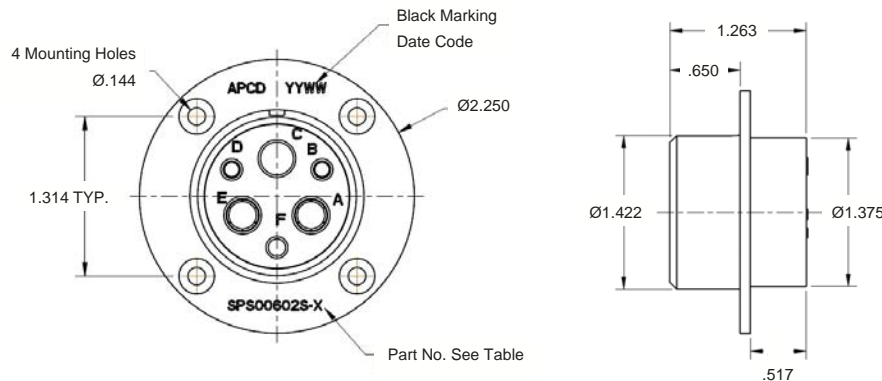
## Panel Mount, Plug - 6 position, crimp termination



Part No.	Contact Qty	Contact Gauge	Crimp Well Wire Awg	Contact Part No.
SPS00602P-1	1	10	10	CNP910100-SZ
	2	10	14/16	CNP910200-SZ
	3	4	14/16	CNP904100-SZ
SPS00602P-2	2	10	10	CNP910100-SZ
	3	4	14/16	CNP904100-SZ
SPS00602P-3	3	10	10	CNP910100-SZ
	3	4	14/16	CNP904100-SZ
SPS00602P-4	3	10	14/16	CNP910200-SZ
	3	4	14/16	CNP904100-SZ
SPS00602P-5	Without	n/a	n/a	n/a

Material	
Shell	Aluminum Alloy 6061 T6
Shell Finish	Clear Anodized Finish
Housing	PPS-V0 1140A6
Color, Hsg	Black
Contact Retainer	Ultem CRS5011
Color, CR	Black
Internal Contact	Copper Alloy
Intern. Contact Finish	Silver Plate
Seal	EPDM Rubber
Mating Part	SPS00602S-X

## Panel Mount, Receptacle - 6 position, crimp termination



Part No.	Contact Qty	Contact Gauge	Crimp Well Wire Awg	Contact Part No.
SPS00602S-1	1	10	10	CNS910100-SZ
	2	10	14/16	CNS910200-SZ
	3	4	14/16	CNS904100-SZ
SPS00602S-2	2	10	10	CNS910100-SZ
	3	4	14/16	CNS904100-SZ
SPS00602S-3	3	10	10	CNS910100-SZ
	3	4	14/16	CNS904100-SZ
SPS00602S-4	3	10	14/16	CNS910200-SZ
	3	4	14/16	CNS904100-SZ
SPS00602S-5	Without	n/a	n/a	n/a

Material	
Shell	Aluminum Alloy 6061 T6
Shell Finish	Clear Anodized Finish
Housing	PPS-V0 1140A6
Color, Hsg	Black
Contact Retainer	Ultem CRS5011
Color, CR	Black
Internal Contact	Copper Alloy
Intern. Contact Finish	Silver plate
Mating Part	SPS00602P-X

Tool	Description
Crimp	M310
Adapter	TP1040 (for use with CNP and CNS904100-SZ contacts)

Tool	Description
Adapter	TP1041 (for use with CNP and CNS910200-SZ contacts)
Adapter	TP1042 (for use with CNP and CNS904100-SZ contacts)

Note: Tool part numbers from Daniels Manufacturing

March, 2012