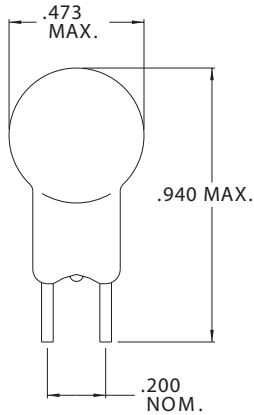
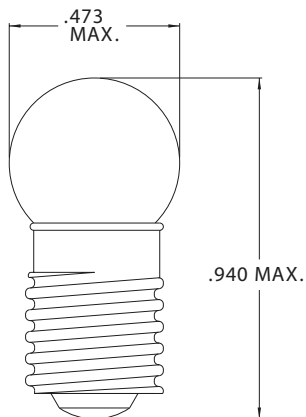


G-3 1/2 Miniature 2 Pin Base



Part Number	Design Voltage	Amps	MSCP	Life Hours	Filament Type
CM10	2.5	.50	.50	3,000	C-6
CM12	6.3	.15	.35	5,000	C-6
CM25	6.3	.25	.50	5,000	C-6
CM612	6.3	.25	.65	5,000	C-6
CM29	10.0	.11	.65	3,000	C-2R
CM19	14.4	.10	.90	1,000	C-6

G-3 1/2 Miniature Screw Base



Part Number	Design Voltage	Amps	MSCP	Life Hours	Filament Type
CM123	1.25	.300	.10	10	S-2
CM1439	1.25	.600	.20	75	S-2
CM131	1.30	.100	.03	50	S-2
CM359	1.35	.060	.02	50	S-2
CM1532	1.35	.220	.09	30	S-2
CM217	1.50	.435	.25	12	S-2
CM458	1.50	.200	.12	30	S-2
CM196	1.90	.600	.70	10	C-2R
CM138	2.00	.500	.70	15	C-2R
CM100	2.10	.500	.70	15	C-2R
CM233	2.33	.270	.42	10	C-2R
CM263	2.40	.350	.52	45	C-2R
CM245	2.46	.500	.90	15	C-2R
CM14	2.47	.300	.50	15	C-2R
CM352	3.00	.070	.15	50	S-2
CM365	3.69	.500	1.6	15	C-2R
CM13	3.70	.300	.98	15	C-2R
CM1438	3.80	.430	1.6	1	C-2R
CM133	6.30	.150	.32	2,000	C-2R
CM134	6.30	.250	.55	2,000	C-2R
CM50	7.50	.220	1.0	1,000	C-2R
CM1446	12.0	.200	1.7	250	C-2V
CM1449	14.0	.200	2.0	250	C-2V
CM52	14.40	.100	.75	1,000	C-2V
CM1447	18.0	.150	1.5	250	C-2V