

DO NOT SCALE FROM THIS PRINT

C

No OF POSITIONS
-20, -30, -40, -50
(PER ROW)

No OF POWER COLUMNS
-4, -8
(TOTAL ROWS)

LEAD STYLE
-XX: USE T-1S13-XX-X-2
(SEE TABLE 1)

BODY HEIGHT
-XXX: .XXX HEIGHT IN INCHES
(MIN: .323[8.20], MAX: "A",
SEE TABLE 1)

ROW SPECIFICATION
-Q: QUAD

PLATING SPECIFICATION
-G: GOLD (USE T-1S13-XX-G-2)
-S: SELECTIVE GOLD (USE T-1S13-XX-S-2)
-F: FLASH GOLD (USE T-1S13-XX-F-2)
-L: LIGHT GOLD (USE T-1S13-XX-L-2)
-H: HEAVY GOLD (USE T-1S13-XX-H-2)

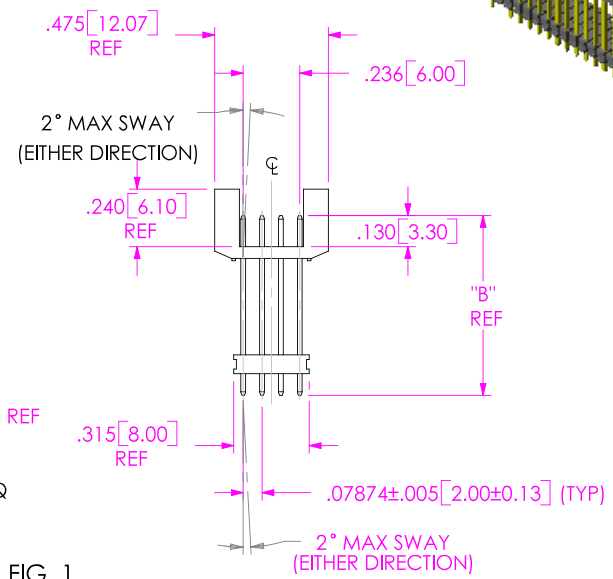
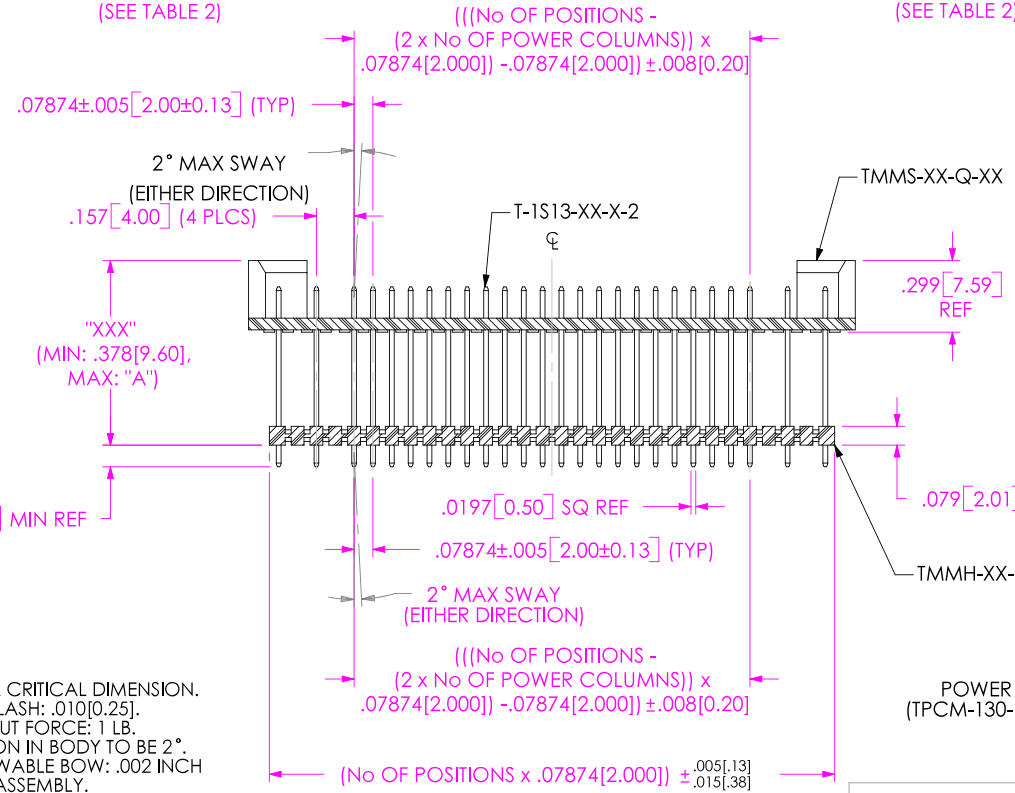
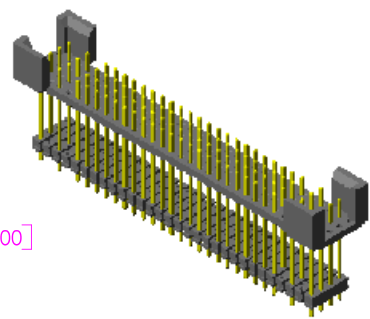
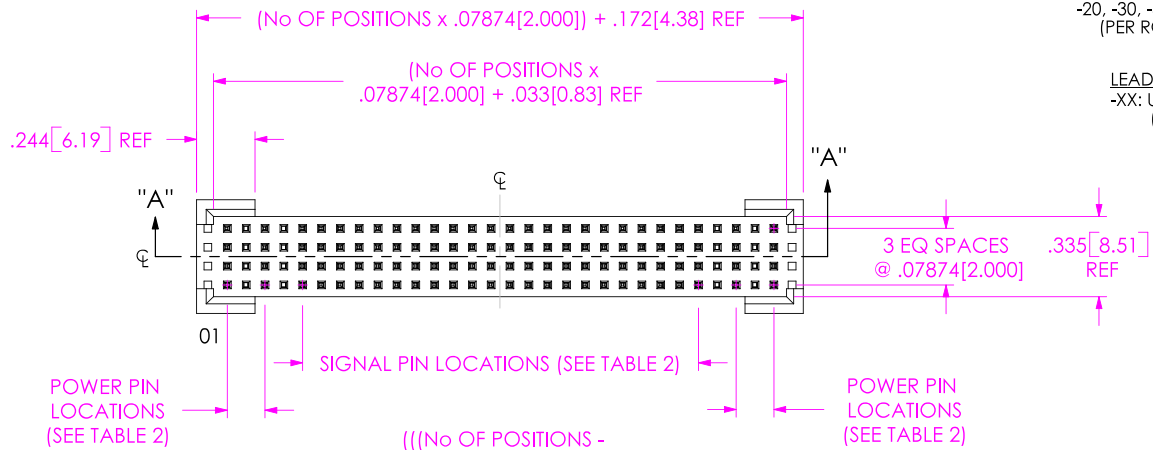


FIG. 1
POWER COLUMN -4 STYLE
(TPCM-130-11-X-Q-771-4 SHOWN) C

- NOTES:
1. © REPRESENTS A CRITICAL DIMENSION.
 2. MAXIMUM CUT FLASH: .010[0.25].
 3. MINIMUM PUSHOUT FORCE: 1 LB.
 4. MAX PIN ROTATION IN BODY TO BE 2°.
 5. MAXIMUM ALLOWABLE BOW: .002 INCH PER INCH AFTER ASSEMBLY.

LEAD STYLE	TERMINAL	"A"	"B"
-02	T-1S13-02-X-2	.397[10.08]	.377[9.58]
-03	T-1S13-03-X-2	.555[14.10]	.535[13.59]
-05	T-1S13-05-X-2	.417[10.59]	.397[10.08]
-06	T-1S13-06-X-2	.575[14.61]	.555[14.10]
-55	T-1S13-20-X-2	.343[8.71]	.323[8.20]
-09	T-1S13-09-X-2	.614[15.60]	.594[15.09]
-10	T-1S13-10-X-2	.693[17.60]	.673[17.09]
-11	T-1S13-11-X-2	.771[19.58]	.751[19.08]

SECTION "A"- "A"

No. OF POSITIONS	No OF POWER COLUMNS	
	-4	-8
	QTY OF SIGNAL PINS (PER ROW)	
-20	12	4
-30	22	14
-40	32	24
-50	42	34

UNLESS OTHERWISE SPECIFIED, DIMENSIONS ARE IN INCHES.
TOLERANCES ARE:
DECIMALS ANGLES
.XX: ±.01 [0.3] 2°
.XXX: ±.005 [0.13]
.XXXX: ±.0020 [0.051]

PROPRIETARY NOTE
THIS DOCUMENT CONTAINS INFORMATION CONFIDENTIAL AND PROPRIETARY TO SAMTEC, INC. AND SHALL NOT BE REPRODUCED OR TRANSFERRED TO OTHER DOCUMENTS OR DISCLOSED TO OTHERS OR USED FOR ANY PURPOSE OTHER THAN THAT WHICH IT WAS OBTAINED WITHOUT THE EXPRESSED WRITTEN CONSENT OF SAMTEC, INC.

MATERIAL: DO NOT SCALE DRAWING SHEET SCALE: 1.25:1
INSULATOR: LCP, COLOR: BLACK
TERMINAL: PHOS BRONZE

F:\DWG\MISC\mktg\TPCM-1XX-XX-X-Q-XXX-X-MKT.SLDDRW

SAMTEC

520 PARK EAST BLVD, NEW ALBANY, IN 47150
PHONE: 812.944.6733 FAX: 812.948.5047
e-Mail: INFO@SAMTEC.COM CODE: 55322

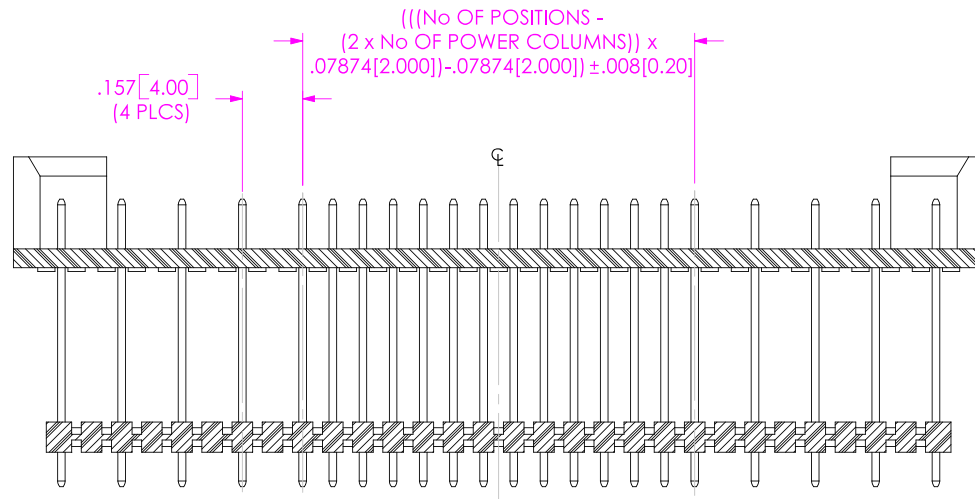
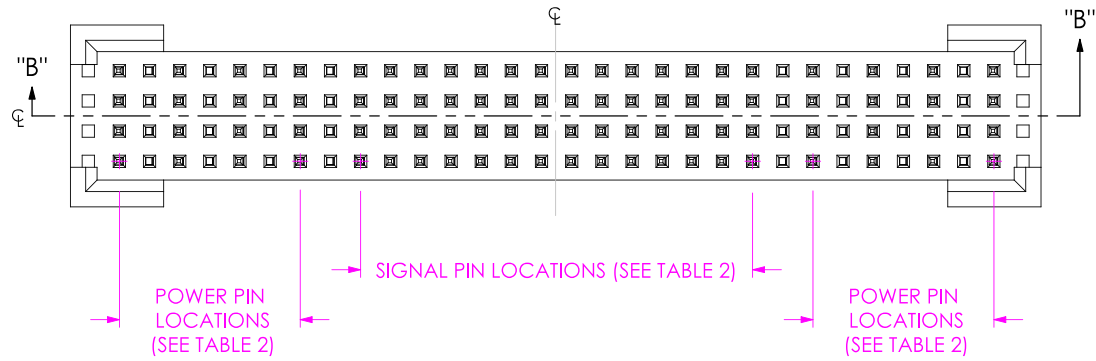
DESCRIPTION:
2mm POWER COMBO TERMINAL STRIP

DWG. NO.
TPCM-1XX-XX-X-Q-XXX-X

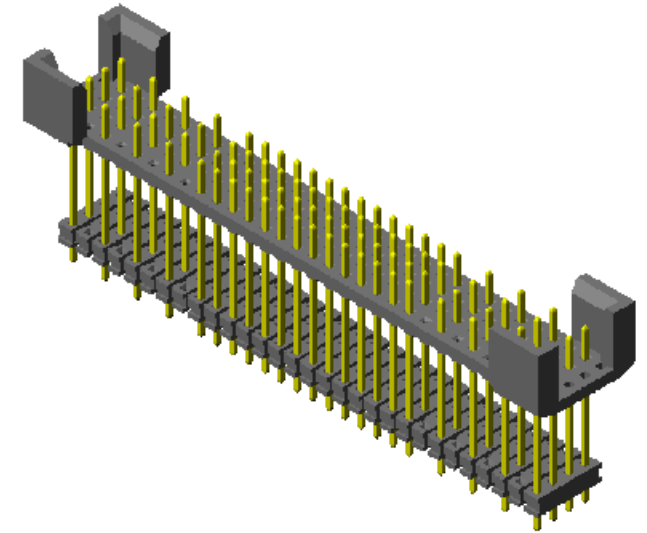
BY: MESSER 1/20/2003 SHEET 1 OF 2

FIG. 2
 POWER COLUMN -8 STYLE
 (SAME AS FIG. 1, UNLESS OTHERWISE STATED)
 (TPCM-130-11-X-Q-771-8 SHOWN)

C



SECTION "B"- "B"



PROPRIETARY NOTE

THIS DOCUMENT CONTAINS INFORMATION CONFIDENTIAL AND PROPRIETARY TO SAMTEC, INC. AND SHALL NOT BE REPRODUCED OR TRANSFERRED TO OTHER DOCUMENTS OR DISCLOSED TO OTHERS OR USED FOR ANY PURPOSE OTHER THAN THAT WHICH IT WAS OBTAINED WITHOUT THE EXPRESSED WRITTEN CONSENT OF SAMTEC, INC.

DO NOT SCALE DRAWING

SHEET SCALE: 2:1

SAMTEC

520 PARK EAST BLVD, NEW ALBANY, IN 47150
 PHONE: 812.944.6733 FAX: 812.948.5047
 e-Mail: INFO@SAMTEC.COM CODE: 55322

DESCRIPTION:
 2mm POWER COMBO TERMINAL STRIP

DWG. NO.
TPCM-1XX-XX-X-Q-XXX-X

BY: MESSER 1/20/2003 SHEET 2 OF 2