

**120**mm sq.

# San Ace 120

25mm thick (S type), 25mm thick (GV type)  
 25mm thick (G type), 38mm thick (HV type)  
 38mm thick (GV type), 38mm thick (G type)  
**38mm thick (SG type)**



Model no. 9SG1224H101 is not certified.

## General Specifications

- Material ..... Frame: Aluminum, Impeller: Plastics (Flammability: UL94V-1)
- Expected Life ..... Refer to specifications (L10:Survival rate:90% at 60°C , rated voltage, and continuously run in a free air state)
- Lead Wire ..... ⊕red ⊖black or blue (Sensor) yellow
- Storage Temperature ..... -30°C to +70°C (Non-condensing)

**120×120×38mm** [Mass : 400g] **SG type**

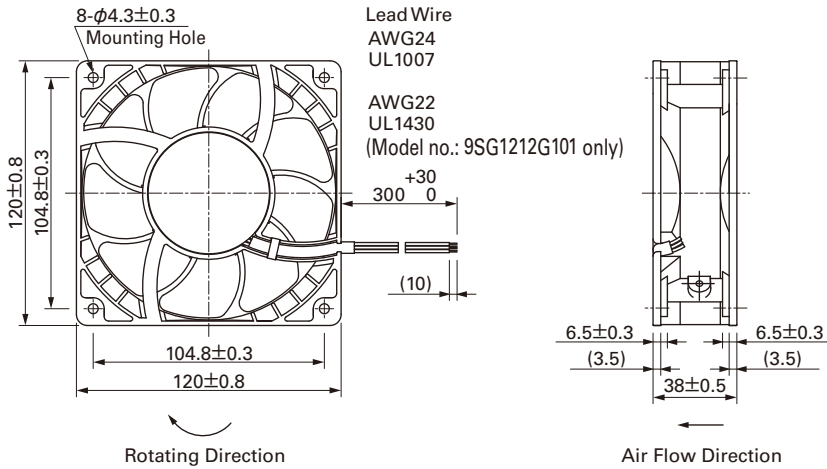
## Specifications

The following nos. **have pulse sensors.**

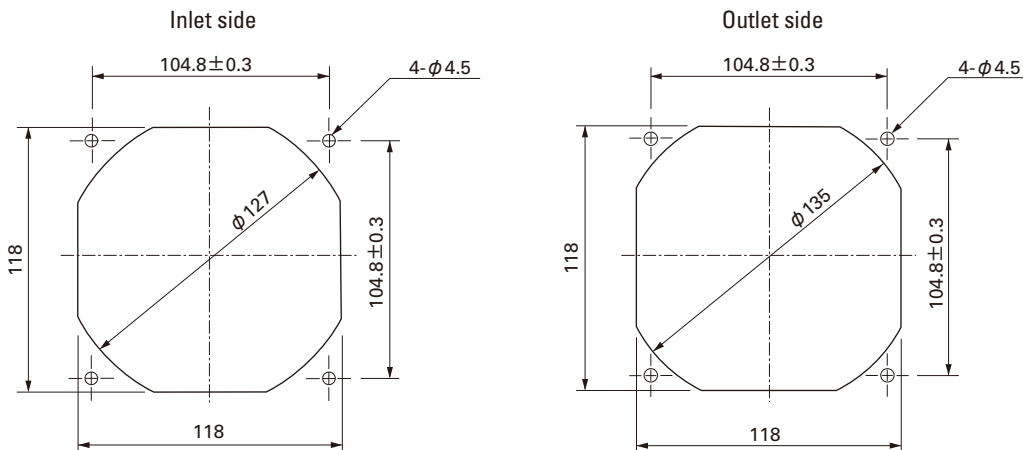
Model No.	Rated Voltage [V]	Operating Voltage Range [V]	Rated Current [A]	Rated Input [W]	Rated Speed [min <sup>-1</sup> ]	Max. Air Flow [m <sup>3</sup> /min] [CFM]	Max. Static Pressure [Pa] [inchH <sub>2</sub> O]	SPL [dB(A)]	Operating Temperature [°C]	Expected Life [h]
9SG1212G101	12	10.2 to 13.8	4.0	48.0	6,000	7.35 260	340 1.37	64	- 20 to +70	40,000
9SG1224G101	24	20.4 to 27.6	2.0	48.0	6,000	7.35 260	340 1.37	64		
9SG1224H101			0.46	11.0	3,400	4.02 142	126 0.51	48		
9SG1248G101	48	40.8 to 55.2	1.0	48.0	6,000	7.35 260	340 1.37	64		

- Available options: ⇒ **Without Sensor**
- Please inquire as the availability of these functions depend on the model. ⇒ **Low speed Sensor** **PWM Control**

## Dimensions (Unit : mm)



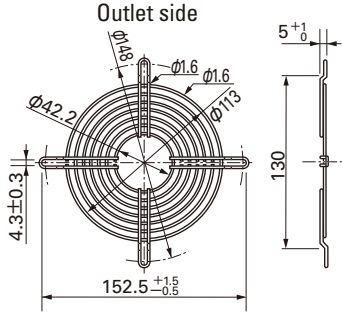
## Reference dimension of mounting holes and vent opening (Unit : mm)



**Options (Unit : mm)**

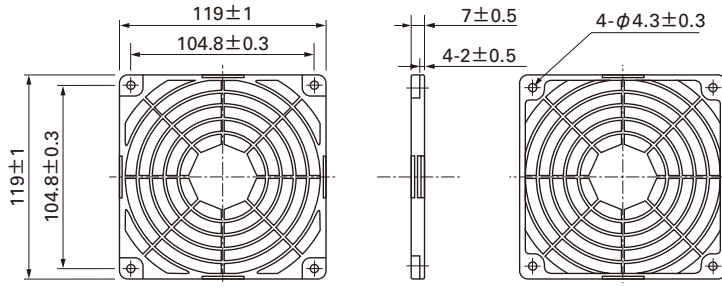
**Finger guards**

Model : 109-019C Surface treatment : Nickel-chrome plating (silver)  
 : 109-019H : Cation electropainting (black)



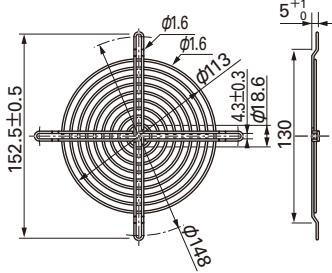
**Resin finger guards**

Model : 109-1000G



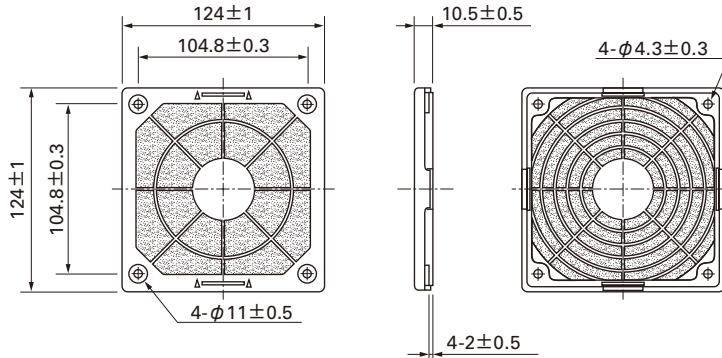
Model : 109-019E Surface treatment : Nickel-chrome plating (silver)  
 : 109-019K : Cation electropainting (black)

**Inlet side, Outlet side**

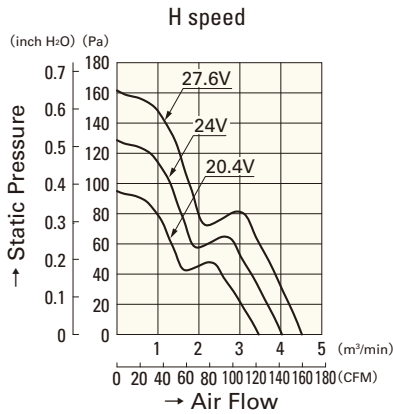
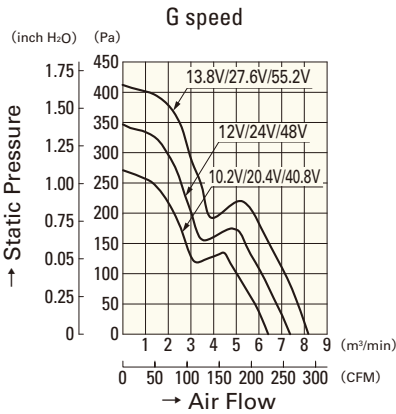


**Resin filter kits**

Model : 109-1000F13 (13PPI), 109-1000F20 (20PPI)  
 : 109-1000F30 (30PPI), 109-1000F40 (40PPI)



**Air Flow - Static Pressure Characteristics**



**9SG1212G101**

**9SG1224G101**

**9SG1248G101**

**9SG1224H101**