

92mm sq.

San Ace 92L

25mm thick



General Specifications

- Material Frame: Aluminum, Impeller: Plastics (Flammability: UL94V-1)
- Expected Life Refer to specifications (L10:Survival rate:90% at 60°C , rated voltage, and continuously run in a free air state)
- Lead Wire ⊕red ⊖black (Sensor) yellow (Control) brown
- Storage Temperature -30°C to +70°C (Non-condensing)

92×92×25mm (Mass : 150g) **High Air Flow**

Specifications

The following nos. **have PWM controls and pulse sensors.**

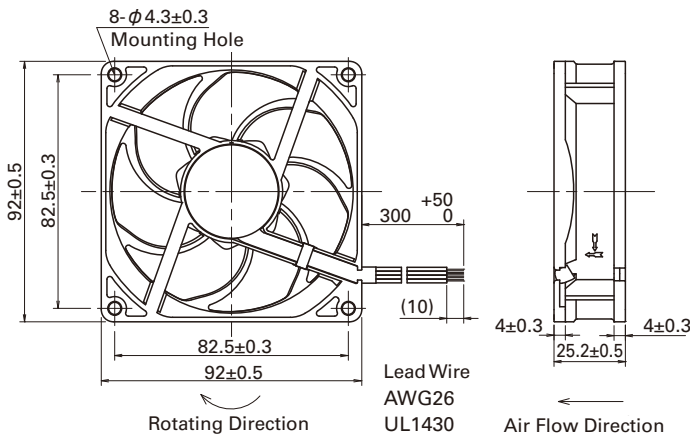
Model No.	Rated Voltage [V]	Operating Voltage Range [V]	PWM duty cycle※ [%]	Rated Current [A]	Rated Input [W]	Rated Speed [min ⁻¹]	Max. Air Flow [m ³ /min] [CFM]	Max. Static Pressure [Pa] [inchH ₂ O]	SPL [dB(A)]	Operating Temperature [°C]	Expected Life [h]
9LG0912P4J001	12	10.8 to 13.2	100	0.42	5.04	5,000	2.20 77.7	105 0.42	44	-20 to +70	180,000
9LG0912P4G001			100	0.30	3.60	4,400	1.93 68.2	81 0.33	40		
9LG0912P4S001			100	0.22	2.64	3,850	1.69 59.7	62.1 0.25	37		
9LG0912P4H001			100	0.15	1.80	3,150	1.38 48.7	41.6 0.17	32		
9LG0924P4J001	24	21.6 to 26.4	100	0.21	5.04	5,000	2.20 77.7	105 0.42	44		
9LG0924P4G001			100	0.15	3.60	4,400	1.93 68.2	81 0.33	40		
9LG0924P4S001			100	0.11	2.64	3,850	1.69 59.7	62.1 0.25	37		
9LG0924P4H001			100	0.07	1.68	3,150	1.38 48.7	41.6 0.17	32		

Note 1 : Fan does not rotate when PWM duty cycle is 0%.

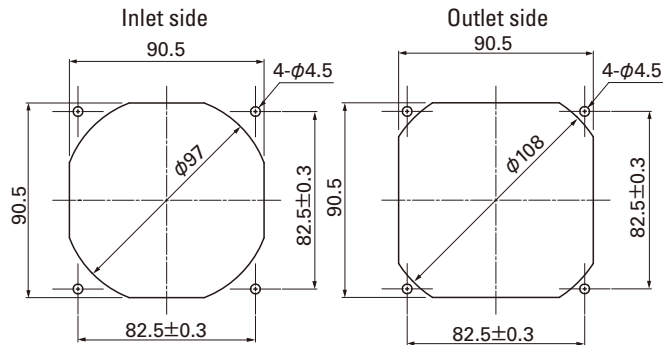
※PWM Frequency : 25kHz

- Available options: ⇒ **Without Sensor** **Lock Sensor**

Dimensions (Unit : mm)



Reference dimension of mounting holes and vent opening (Unit : mm)

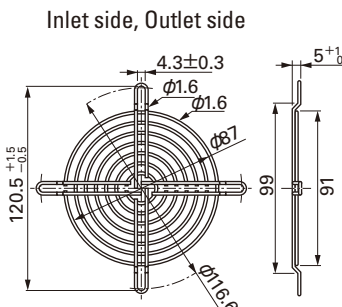
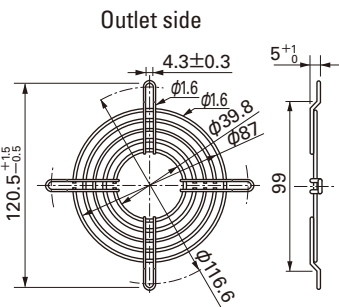


Options (Unit : mm)

Finger guards

Model : 109-099C Surface treatment : Nickel-chrome plating (silver) Color

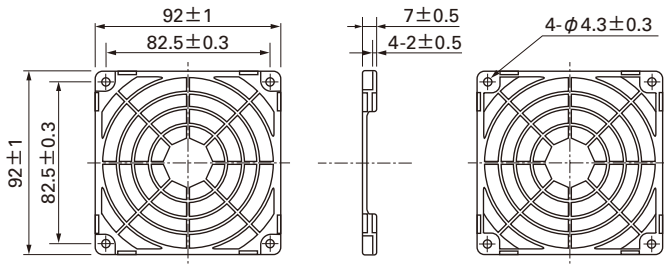
Model : 109-099E Surface treatment : Nickel-chrome plating (silver) Color
: 109-099H : Cation electropainting (black)



Options (Unit : mm)

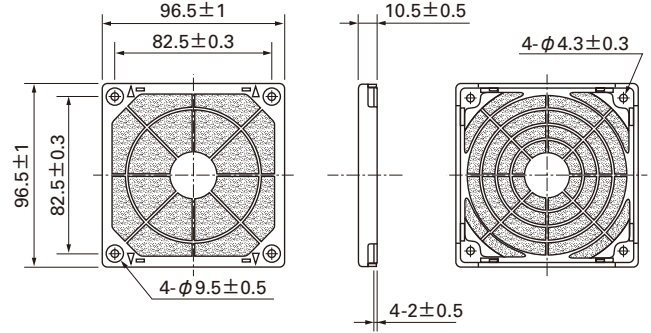
Resin Finger guards

Model : 109-1001G



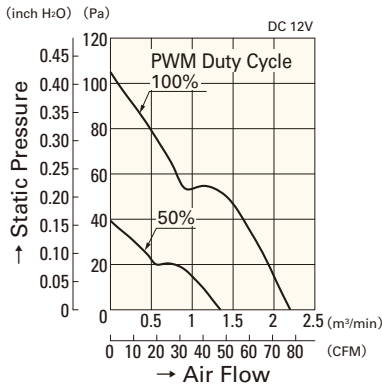
Resin filter kits

Model : 109-1001F13 (13PPI), 109-1001F20 (20PPI)
: 109-1001F30 (30PPI), 109-1001F40 (40PPI)

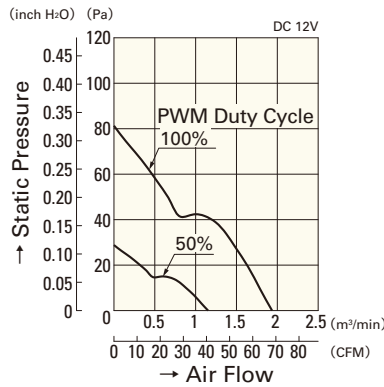


Air Flow - Static Pressure Characteristics

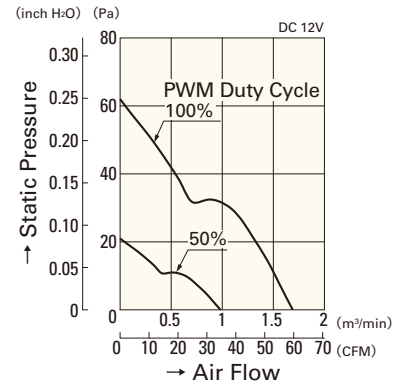
PWM Duty Cycle



9LG0912P4J001

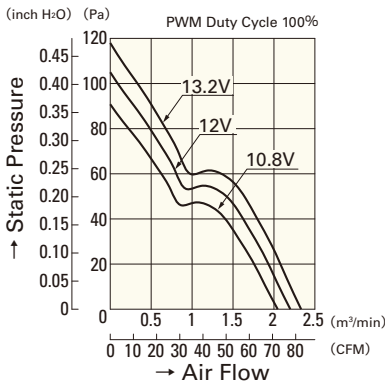


9LG0912P4G001

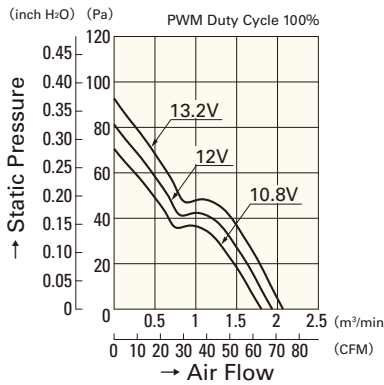


9LG0912P4S001

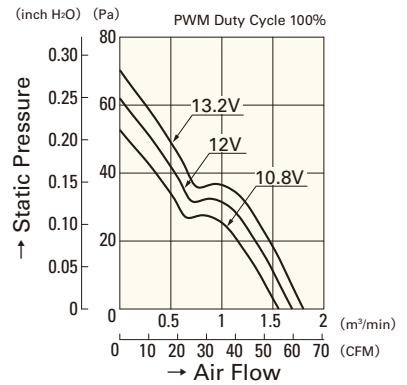
Operating Voltage Range



9LG0912P4J001

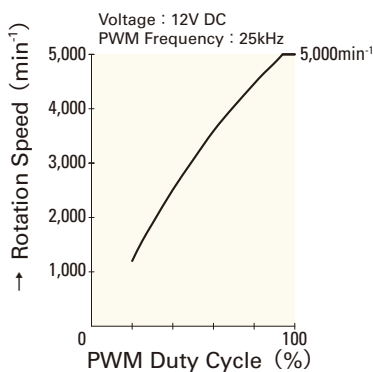


9LG0912P4G001

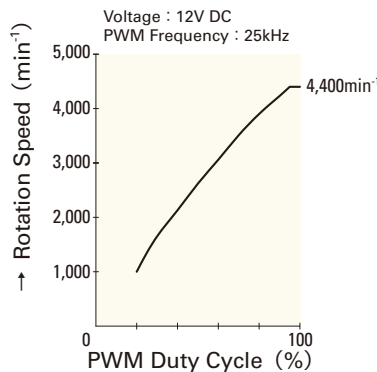


9LG0912P4S001

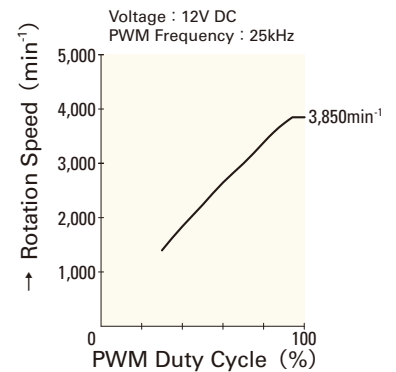
PWM Duty - Speed Characteristics Example



9LG0912P4J001



9LG0912P4G001



9LG0912P4S001

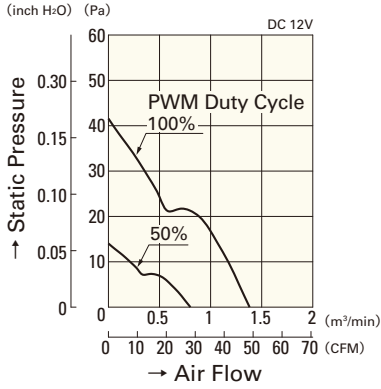
92mm sq.

San Ace 92L

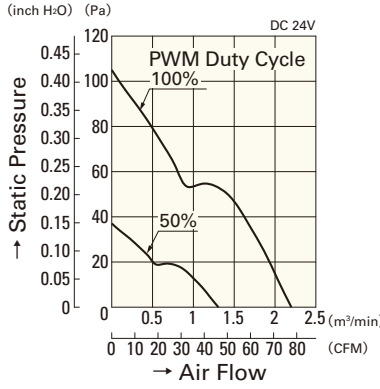
92×92×25mm [Mass : 150g]

Air Flow - Static Pressure Characteristics

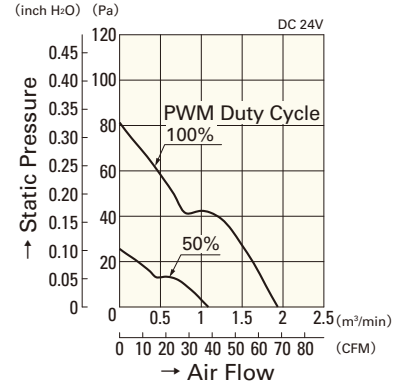
PWM Duty Cycle



9LG0912P4H001

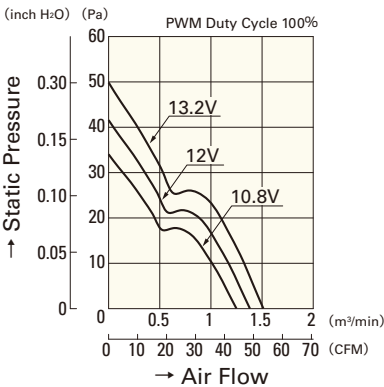


9LG0924P4J001

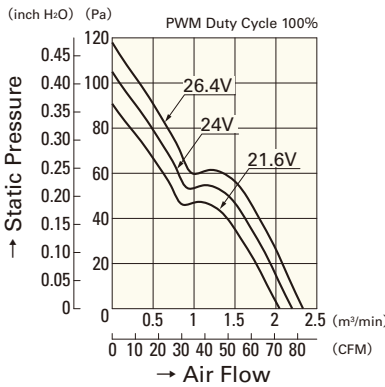


9LG0924P4G001

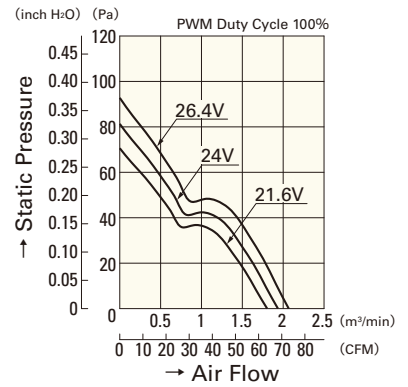
Operating Voltage Range



9LG0912P4H001

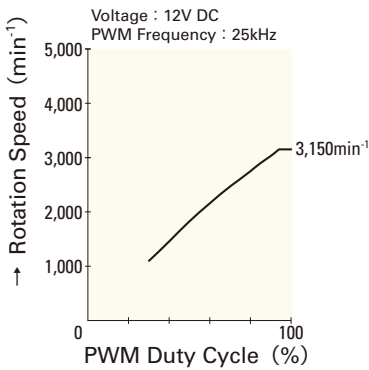


9LG0924P4J001

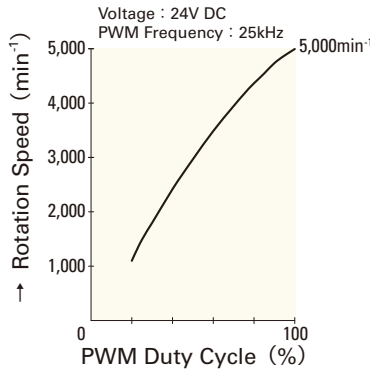


9LG0924P4G001

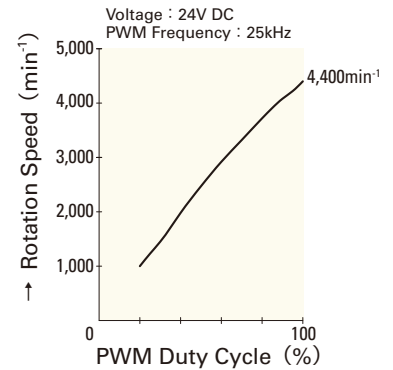
PWM Duty - Speed Characteristics Example



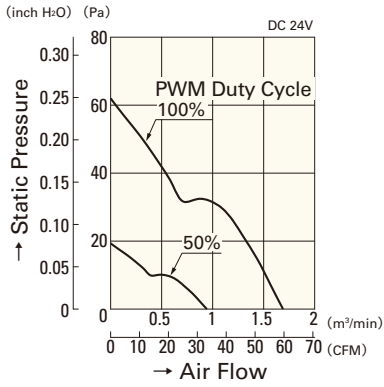
9LG0912P4H001



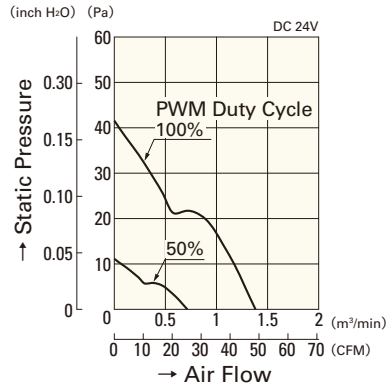
9LG0924P4J001



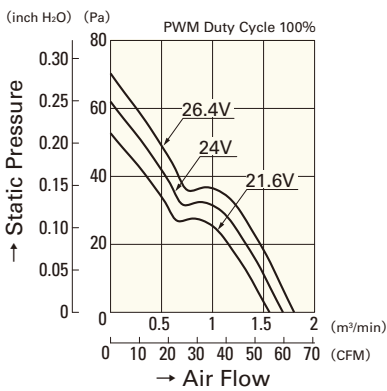
9LG0924P4G001



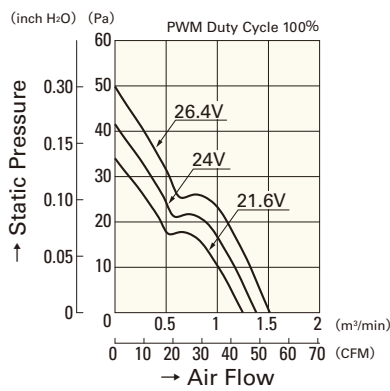
9LG0924P4S001



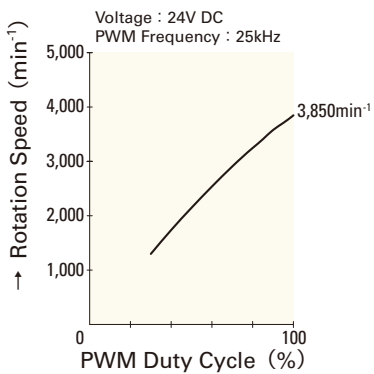
9LG0924P4H001



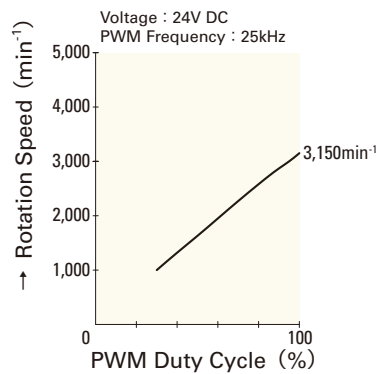
9LG0924P4S001



9LG0924P4H001



9LG0924P4S001



9LG0924P4H001