



RoHS Compliant

**Features**

- Small, Low Profile
- Ceramic Package
- Reflow Compatible

**Applications**

- Consumer/ Mobile Equipment

**How to Order**

**ST3215SB 32768** □□ □ □ □ □ □ □  
 ① ② ③ ④ ⑤ ⑥ ⑦

- ① Series
- ② Frequency 32.768kHz
- ③ Load Capacitance **H5** 12.5 pF
- ④ Frequency Tolerance **H** ±20×10<sup>-6</sup>
- ⑤ Operating Temp. Range **P** -40 to +85°C
- ⑥ Frequency Temp. Stability **W** ±200×10<sup>-6</sup>
- ⑦ Individual Specification

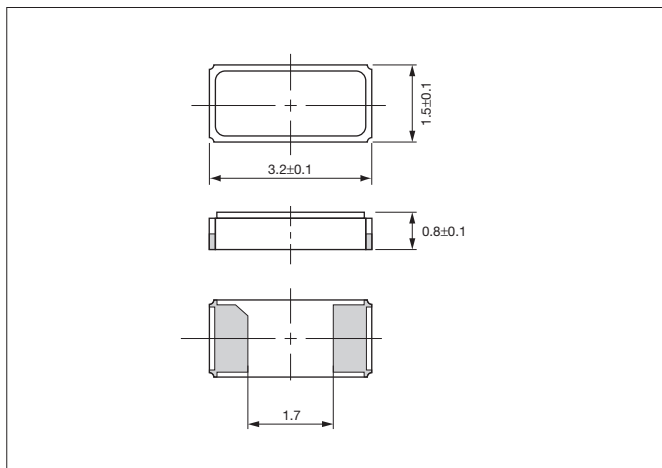
Packaging (Tape & Reel 3000/ 10000 pcs./ reel)

**Specifications**

Item	Symbol	Specification	Units	Remarks
Nominal Frequency	f <sub>nom</sub>	32.768	kHz	
Frequency Tolerance	f <sub>tol</sub>	±10, ±20	×10 <sup>-6</sup>	25°C±3°C
Turnover Temperature	T <sub>i</sub>	+25±5	°C	
Parabolic Coefficient	B	-0.04 max.	×10 <sup>-6</sup> / °C <sup>2</sup>	
Motional Resistance	R <sub>1</sub>	70 max.	k-ohm	
Motional Capacitance	C <sub>1</sub>	3.7 typ.	fF	
Shunt Capacitance	C <sub>0</sub>	0.9 typ.	pF	
Load Capacitance	CL	12.5/ 9.0/ 7.0	pF	Please contact us
Drive Level	DL	0.1	μW	0.5 max.
Operating Temp. Range	T <sub>use</sub>	-40 to +85	°C	
Storage Temp. Range	T <sub>stg</sub>	-55 to +85	°C	
Frequency Aging	f <sub>age</sub>	±3	×10 <sup>-6</sup>	

**Dimensions**

(Unit: mm)



**Recommended Land Pattern**

(Unit: mm)

