

Features

LED DRIVER

- Constant Voltage Output
- cUL/CE Certified
- Power Factor Corrected
- Short Circuit, Overload and Overtemperature Protected

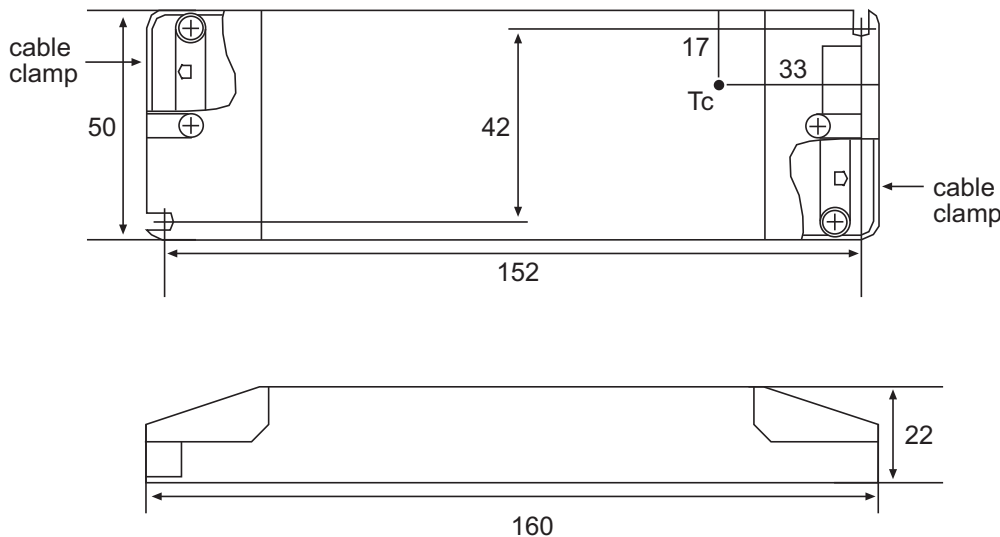
Selection Guide

Part Number	Input Voltage (VAC)	Output Voltage (VDC)	Output Current (mA)	Efficiency typ. (%)
RACV30-24	100-240	24	0-1250	84
RACV30-12	100-240	12	0-2500	83

Specifications (typical at 25°C, nominal input voltage and full load)

Input Voltage Range	90-264VAC or 140-370VDC	
Input Frequency Range	47-63Hz	
Input Current (Full Load)	< 380mA	
Power Factor Correction (Full Load)	>0.92	
Inrush Current (2ms peak)	30A max.	
Input Fuse	internal 2A/250V	
Output Voltage Accuracy (Output Load min <-> max)	±5%	
Load Regulation (Output Load min <-> max)	2% max.	
Line Regulation (VACin min <-> VACin max)	2% max.	
Output Ripple	3% max.	
Operating Frequency	≤125kHz	
Isolation Voltage	3kVAC / 1 minute	
Ambient Temperature Operating Range	-20°C~50°C	
Humidity	85% RH max.	
Case Material	Epoxy UL94V-0	
Weight	RACV30-24	167g
	RACV30-12	170g
Reliability	MIL STD 217F	30x10 ³ hours
EMC Standards	EN55015 FCC18A	
Screw Terminal Specification	14AWG or 2.5mm ²	
Connector Plug Specification	5.5mm connector	
Short Circuit Protection	Current Limit, Automatic Restart	
Overload Protection (Full Load)	110~160%	
Overtemperature Protection (Tj=110°C)	Automatic Restart	

Package Style and Pinning



LIGHTLINE

AC/DC-Converter

with 3 year Warranty

RECOM

30 Watt PFC Single CV Output

E340696



EN-61347-2-13 Pending
cUL-8750 Certified

RACV30

Please Read Application Notes

www.recom-electronic.com