

75 Ohm Mini SMB Plug to BNC Female Adapter



TECHNICAL DATA SHEET

PE9617

75 Ohm Mini SMB Plug to BNC Female Adapter

Configuration

Connector 1	Mini SMB Plug
Impedance 1	75 Ohms
Connector Specification 1	MIL-C-39012
Connector 2	BNC Female
Impedance 2	75 Ohms
Connector Specification 2	MIL-C-39012
Adapter Design	Standard
Body Style	Straight

Mechanical Specifications

Temperature

Operating Range, deg C	-65 to +165
------------------------	-------------

Size

Length, in [mm]	1.26 [32]
Width/Dia., in [mm]	0.445 [11.3]

Connector 1

Type	Mini SMB Plug
Inner Conductor Material and Plating	Gold
Inner Conductor Plating Specification	MIL-G-45204
Body Material and Plating	Brass, Nickel
Dielectric Type	Teflon

Connector 2

Type	BNC Female
Inner Conductor Material and Plating	Gold
Inner Conductor Plating Specification	MIL-G-45204
Body Material and Plating	Brass, Nickel
Dielectric Type	Teflon

Compliance Certifications (visit www.Pasternack.com for current document)

RoHS Compliant	Yes
----------------	-----

Plotted and Other Data

Notes:	Values at 25 °C, sea level
--------	----------------------------

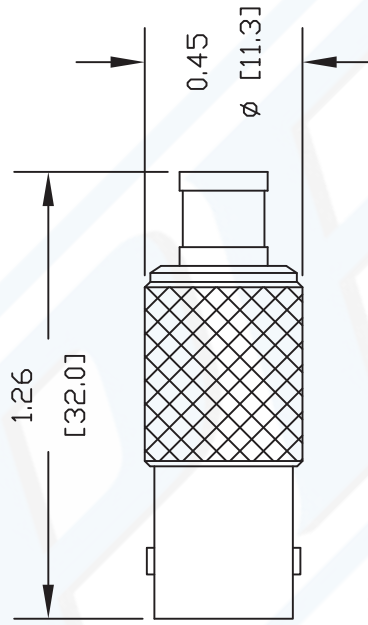
URL: <http://www.pasternack.com/mini-smb-plug-bnc-female-straight-adapter-pe9617-p.aspx>

75 Ohm Mini SMB Plug to BNC Female Adapter from Pasternack Enterprises has same day shipment for domestic and International orders. Our RF, microwave and fiber optic products maintain a 99% availability and are part of the broadest selection in the industry.

The information contained in this document is accurate to the best of our knowledge and representative of the part described herein. It may be necessary to make modifications to the part and/or the documentation of the part, in order to implement improvements. Pasternack reserves the right to make such changes as required. Unless otherwise stated, all specifications are nominal.

PE9617 CAD Drawing

75 Ohm Mini SMB Plug to BNC Female Adapter



NOTES:
 1. UNLESS OTHERWISE SPECIFIED ALL DIMENSIONS ARE NOMINAL.
 2. ALL SPECIFICATIONS ARE SUBJECT TO CHANGE WITHOUT NOTICE AT ANY TIME.
 3. DIMENSIONS ARE IN INCHES [mm].

DWG TITLE
PE9617

REV. -	FSCM NO. 53919	CAD FILE 100302	SCALE N/A	SIZE A	127
--------	----------------	-----------------	-----------	--------	-----

PASTERNAK ENTERPRISES, INC.
 P.O. BOX 16759, IRVINE, CA 92623
 PHONE (949) 261-1920 FAX (949) 261-7451
 WEB ADDRESS: www.pasternack.com
 E-MAIL ADDRESS: sales@pasternack.com
COAXIAL & FIBER OPTICS

