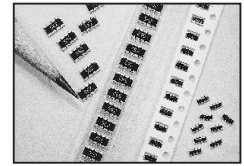


### FEATURES

- SUPER MINIATURE SIZE AND LOW PROFILE
- HIGH DENSITY PACKAGING OFFERS SIGNIFICANT SPACE SAVINGS
- LOWER PRODUCTION COSTS WITH LESS PLACEMENT (UP TO 8 RESISTORS IN ONE PACKAGE)
- STANDARD FOOTPRINTS MAKE CONVERSIONS EASY
- BOTH FLOW AND REFLOW SOLDERING APPLICABLE

**RoHS Compliant**  
includes all homogeneous materials



\*See Part Number System for Details

### SPECIFICATIONS

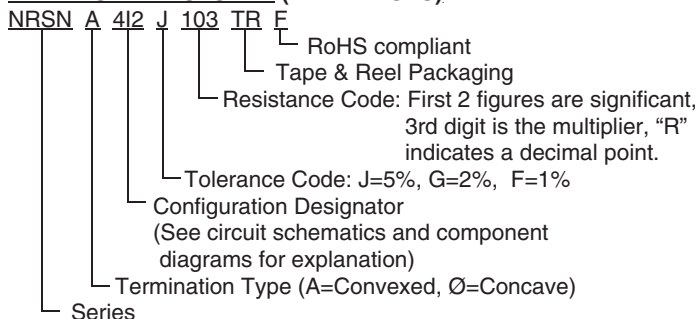
Type	NRSNØ4I2		NRSNA4I2	NRSNØ4I4	NRSNA4I4	NRSNØ6I4	NRSNA6I4
Termination Type	Concave		Convex	Concave	Convex	Concave	Convex
Size W x L (mm)	1.0 x 1.0		1.0 x 1.0	1.0 x 2.0	1.0 x 2.0	1.6 x 3.2	
No. of Resistors & Circuit	2R Isolated		2R Isolated	4R Isolated	4R Isolated	4R Isolated	
Power Rating per Resistor @ +70°C	1/16 (.0625W)		1/16 (.0625W)	1/16 (.0625W)	1/16 (.0625W)	1/16 (.0625W)	
Resistance Tolerance	J(±5%) G(±2%) F(±1%)	J(±5%) G(±2%) F(±1%)	J(±5%) G(±2%)	J(±5%) G(±2%) F(±1%)	J(±5%) G(±2%)	J(5%) G(2%) F(±1%)	
Resistance Range	3Ω ~ 9.1Ω	10Ω ~ 1MΩ	10Ω ~ 1MΩ	1Ω ~ 1MΩ	10Ω ~ 1MΩ	1Ω ~ 1MΩ	
Temperature Coefficient	±650ppm	±250ppm	±250ppm	±200ppm	±200ppm	±200ppm	
Maximum Working Voltage*	25V					50V	
Maximum Overload Voltage	50V					100V	
Operating Temperature Range	-55°C ~ +125°C (derated as shown)						

Type	NRSNØ6C NRSNØ6D	NRSN12I4	
Termination Type	Concave	Concave	
Size W x L (mm)	3.1 x 6.4	3.0 x 5.1	
No. of Resistors & Circuit	8R Common	4R Isolated	
Power Rating per Resistor @ +70°C	1/8 (0.125W)		
Resistance Tolerance	J (5%)	J (5%)	G (2%)
Resistance Range	100Ω ~ 470KΩ	10Ω ~ 1MΩ	47Ω ~ 1MΩ
Temperature Coefficient	±200ppm	±200ppm	±200ppm
Maximum Working Voltage*	50V	75V	
Maximum Overload Voltage	100V	125V	
Operating Temperature Range	-55°C ~ +125°C (derated as shown)		

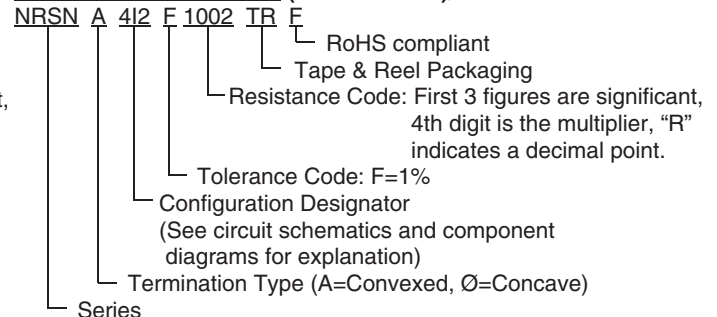
\* Maximum allowable continuous voltage for all resistors is the lower of the two values: "MAXIMUM WORKING VOLTAGE" as specified, or

$$\sqrt{\text{Power rating (WATTS)} \times \text{Resistance (OHMS)}}$$

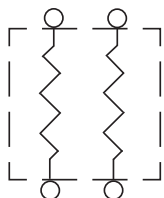
### PART NUMBER SYSTEM (E-24 VALUES)



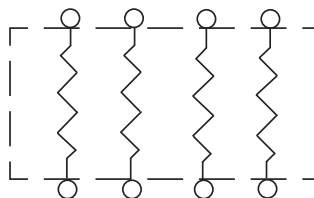
### PART NUMBER SYSTEM (E-96 VALUES)



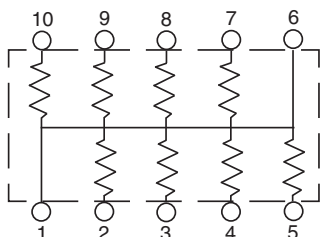
### CIRCUIT SCHEMATICS



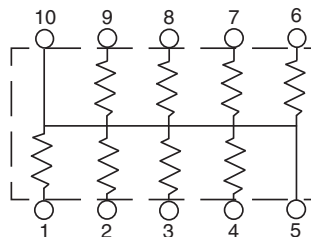
NRSNA412/Ø412  
Circuit Type "I"  
Isolated



NRSNA414/Ø41  
NRSNA61/Ø61 & NRSN121  
Circuit Type "I"  
Isolated

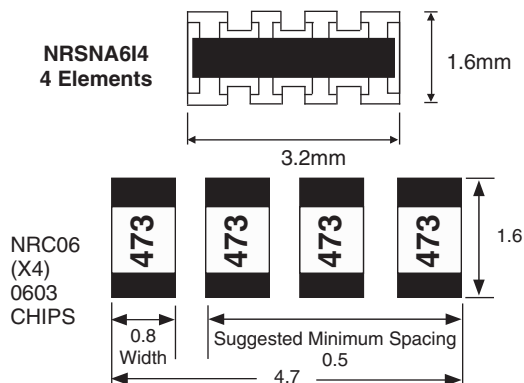
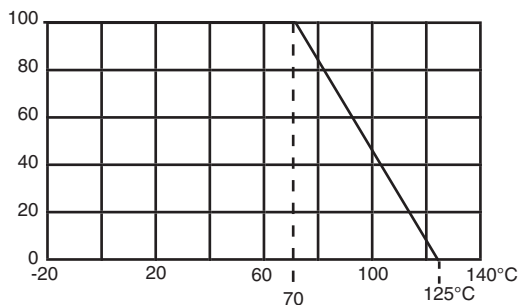


NRSNØ6C8  
Circuit Type "C"  
Bussed/Common



NRSNØ6D8  
Circuit Type "D"  
Bussed/Common

**Power Derating Curve:** For operation above 70°C, power rating must be derated according to the following chart:



**Note 1:**

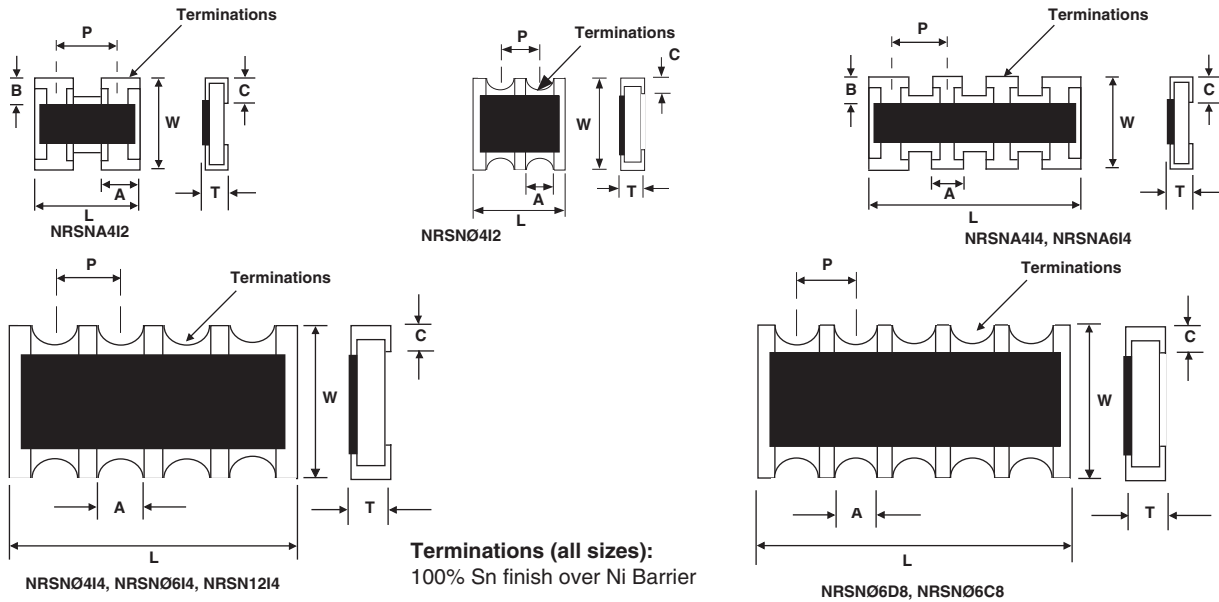
Zero ohm versions (R<0.050 ohms) are available in the following parts:

- NRSNØ412ZOTR - 0.5A/element (no markings)
- NRSNA412ZOTR - 0.5A/element (no markings)
- NRSNØ414ZOTR - 0.5A/element (no markings)
- NRSNA414ZOTR - 0.5A/element (marked "000")
- NRSNØ614ZOTR - 1.0A/element (marked "000")
- NRSNA614ZOTR - 1.0A/element (marked "000")
- NRSN1214ZOTR - 1.5A/element (marked "000")



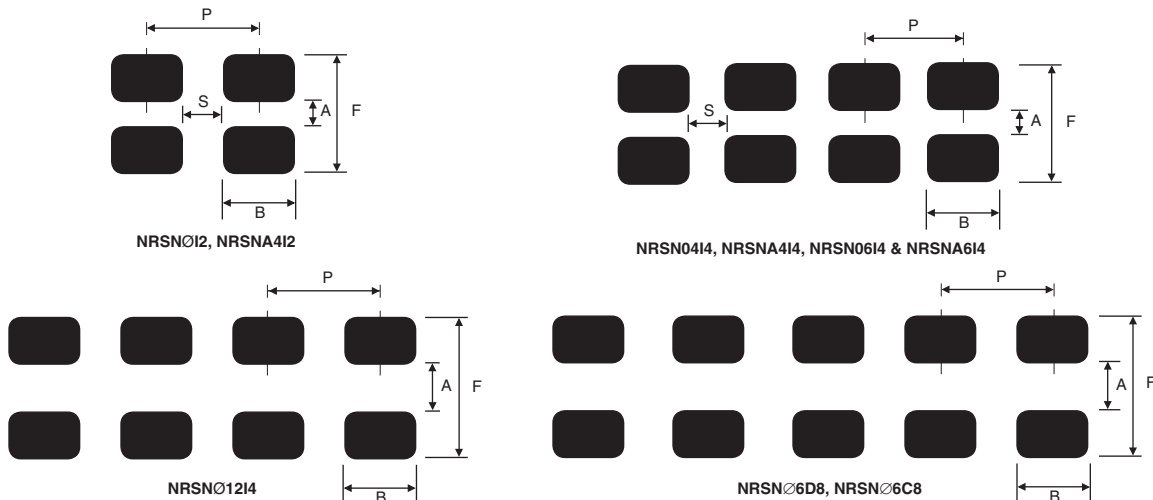
## PART DIMENSIONS (mm)

Type	W	L	P	T	A	B	C
NRSNA4I2	1.00 ± 0.20	1.00 ± 0.10	0.67 nom.	0.30 ± 0.05	0.33 ± 0.10	0.15 ± 0.10	0.25 ± 0.10
NRSNØ4I2	1.00 ± 0.20	1.00 ± 0.10	0.50 nom.	0.30 ± 0.10	0.30 ± 0.10	0.20 ± 0.10	0.25 ± 0.10
NRSNA4I4	1.00 ± 0.20	2.00 ± 0.10	0.50 nom.	0.40 ± 0.10	0.30 ± 0.10	0.20 ± 0.10	0.25 ± 0.10
NRSNØ4I4	1.00 ± 0.20	2.00 ± 0.10	0.50 nom.	0.40 ± 0.10	0.30 ± 0.10	0.15 ± 0.10	0.25 ± 0.10
NRSNA6I4	1.60 ± 0.15	3.20 ± 0.20	0.80 nom.	0.50 ± 0.10	0.50 ± 0.10	0.30 ± 0.15	0.30 ± 0.15
NRSNØ6I4	1.60 ± 0.15	3.20 ± 0.20	0.80 nom.	0.55 ± 0.10	0.50 ± 0.10	0.35 ± 0.15	0.45 ± 0.15
NRSNØ6C8	3.10 ± 0.20	6.40 ± 0.20	1.27 ± 0.20	0.60 ± 0.20	1.00 ± 0.20	0.55 ± 0.20	0.50 ± 0.20
NRSNØ6D8	3.10 ± 0.20	6.40 ± 0.20	1.27 ± 0.20	0.60 ± 0.20	1.00 ± 0.20	0.55 ± 0.20	0.50 ± 0.20
NRSN12I4	3.00 ± 0.20	5.08 ± 0.20	1.27 ± 0.20	0.70 ± 0.20	0.80 ± 0.20	0.60 ± 0.20	0.60 ± 0.20



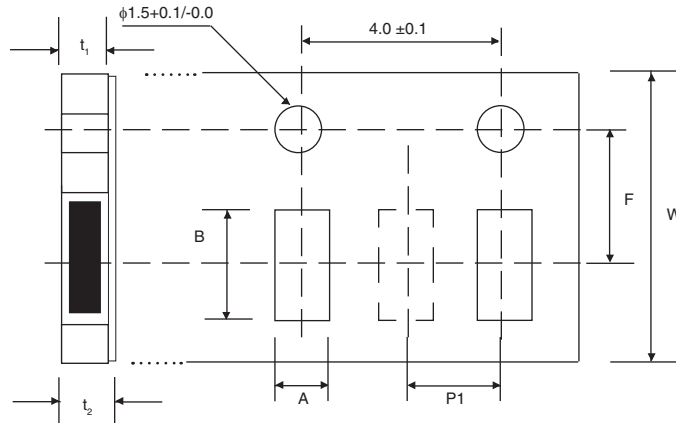
## LAND PATTERN DIMENSIONS (mm)

Type	Reflow Soldering					Flow Soldering			
	A	B	P	S	F	A	B	P	F
NRSNØ4I2	0.50	0.28	0.50	0.34	2.00	-	-	-	-
NRSNA4I2	0.50	0.33	0.67	0.34	2.00	-	-	-	-
NRSNØ4I4	0.50	0.28	0.50	0.22	2.00	-	-	-	-
NRSNA4I4	0.50	0.28	0.50	0.22	2.00	-	-	-	-
NRSNØ6I4J	1.00	0.40	0.80	0.40	2.60	0.7 ~ 0.9	0.3 ~ 0.35	0.8	4.6 ~ 5.6
NRSNA6I4J	1.00	0.40	0.80	0.40	2.60	0.7 ~ 0.9	0.3 ~ 0.35	0.8	4.6 ~ 5.6
NRSNØ6C8	2.20	0.50	1.27	-	4.20	1.9 ~ 2.1	0.5 ~ 0.55	1.27	5.6 ~ 6.2
NRSNØ6D8	2.20	0.50	1.27	-	4.20	1.9 ~ 2.1	0.5 ~ 0.55	1.27	5.6 ~ 6.2
NRSN12I4	2.20	0.790	1.27	-	4.20	1.0 ~ 1.2	0.4 ~ 0.45	1.27	5.6 ~ 6.2



## TAPE DIMENSIONS (mm)

Type	Material	A	B	F	p1	W	t <sub>1</sub>	t <sub>2</sub>
NRSN04I2	Paper	1.20 ± 0.1	1.207 ± 0.1	3.5 ± 0.05	2.0 ± 0.1	8.0 ± 0.2	0.5 max.	1.0 max.
NRSNA4I2			2.20 ± 0.1					
NRSN04I4		1.90 ± 0.1	3.45 ± 0.1					
NRSNA4I4								
NRSN06I4	Plastic	3.5 ± 0.1	6.75 ± 0.1	5.5 ± 0.05	4.0 ± 0.1	12.0 ± 0.2	1.0 max.	1.4 max.
NRSNA6I4			5.7 ± 0.1					
NRSN06C8								
NRSN06D8								
NRSN12I4								



## REEL DIMENSIONS (mm)

Type	A	B	C	D	E	W	Qty/Reel
NRSN04I2	$\phi 180$ -4.0/+3.0	$\phi 60$ -4.0/+3.0	$\phi 13.0$ $\pm 2.0$	$\phi 21.0$ $\pm 1.0$	2.0 $\pm 0.5$	8.0 $\pm 0.2$	10,000
NRSNA4I2						10 $\pm 1.0$	
NRSN04I4						14 $\pm 2.0$	4,000
NRSNA4I4							
NRSN06I4							
NRSNA6I4							
NRSN06C8							
NRSN06D8							
NRSN12I4							

