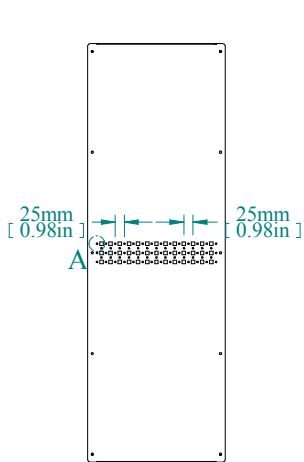


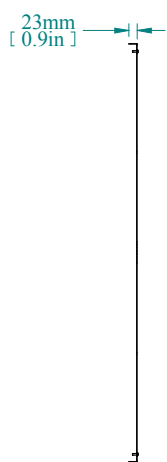
ISOMETRIC VIEW



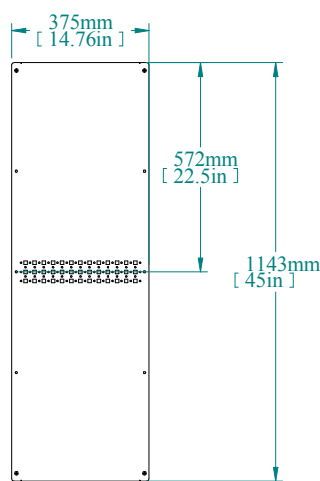
TOP VIEW



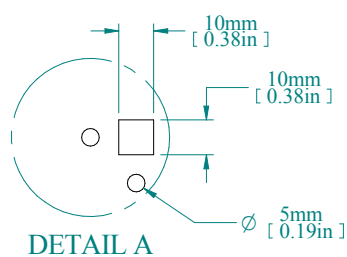
REAR VIEW



L.S. VIEW



FRONT VIEW



DETAIL A

PART NUMBERS	
HSIP145	14 GAUGE GALVANIZED STEEL

NOTES	
Unpainted	
Allows installation of 19" mounting rails including center support	
Hammond Website for Additional Accessories	

Data subject to change without notice. Isometric drawing not to scale.

**HAMMOND
MANUFACTURING™**

www.hammondmfg.com

PART NO. HSIP145