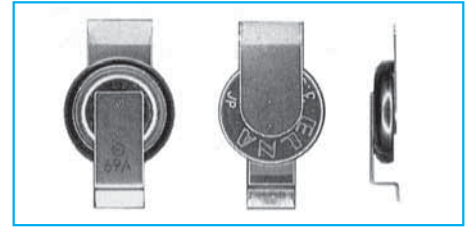
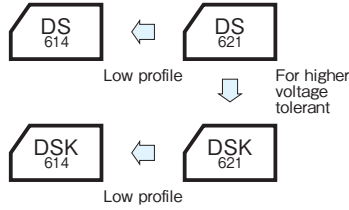


**Coin Cell Capacitors**



- Reflow soldering method available.
- Unlike batteries, the number of charging/ discharging cycles unlimited and rapid charging/ discharging is possible.
- Unlike batteries, excellent charge and discharge characteristics with no chemical reactions.
- 1.8mm height type 614 made lineup in the DS, DSK series.

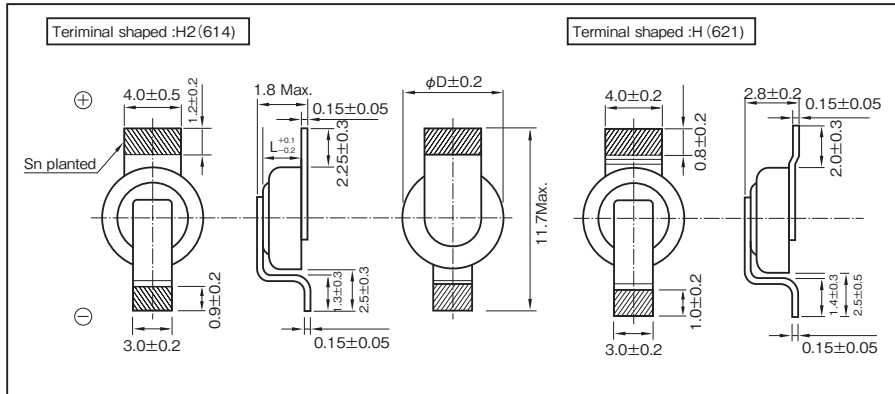


**Specifications**

| Item  | Performance                                    |   |   |                         |  |   |
|---|--|---|---|-------------------------|--|---|
| Series Name                                 | Series DS                                      |   |   | Series DSK              |  |   |
| Max. operating voltage (V)                  | 2.5  |   |   | 3.3                     |  |   |
| Category temperature range (°C)             | -25 to +70                                     |   |   | -10 to +60              |  |   |
| Tolerance at rated capacitance (%)          | -20 to +80                                     |   |   | -20 to +80              |  |   |
| Internal resistance (Ω) at 1 kHz            | Size code                                      | 614                                       | 621                                       | Size code               | 614  | 621                                       |
|   | Rated capacitance (F)                          | 0.2                                       | 0.33                                      | Rated capacitance (F)   | 0.2  | 0.33                                      |
|   | Internal resistance (Ω)                        | 100                                       | 100                                       | Internal resistance (Ω) | 200  | 200                                       |
| Characteristics at high and low temperature | Size code                                      | 614                                       | 621                                       | Size code               | 614  | 621                                       |
|   | Rated capacitance (F)                          | Within ±30% of the value at 20°C          | Within ±30% of the value at 20°C          | Rated capacitance (F)   | Within ±50% of the value at 20°C                 | Within ±50% of the value at 20°C          |
|   | Internal resistance (Ω)                        | Less than five times of the value at 20°C | Less than five times of the value at 20°C | Internal resistance (Ω) | Less than five times the initial specified value | Less than five times of the value at 20°C |
| Endurance                                   | Size code                                      | 614                                       | 621                                       | Size code               | 614  | 621                                       |
|   | Test time and temp.                            | 70°C 1000 hours                           | 70°C 500 hours                            | Test time and temp.     | 60°C 1000 hours                                  | 60°C 500 hours                            |
|   | Rated capacitance (F)                          | Within ±30% of the initial measured value | Within ±30% of the initial measured value | Rated capacitance (F)   | Within ±30% of the initial measured value        | Within ±30% of the initial measured value |
|   | Internal resistance (Ω)                        | 1kΩ Max.                                  | 400Ω Max.                                 | Internal resistance (Ω) | 2kΩ Max.   | 800Ω Max.                                 |
| Shelf life                                  | Same as endurance.                             |   |   | Same as endurance.      |  |   |
| Applicable standards                        | Conforms to JIS C5160-1 2009(IEC 62391-1 2006) |   |   |                         |  |   |

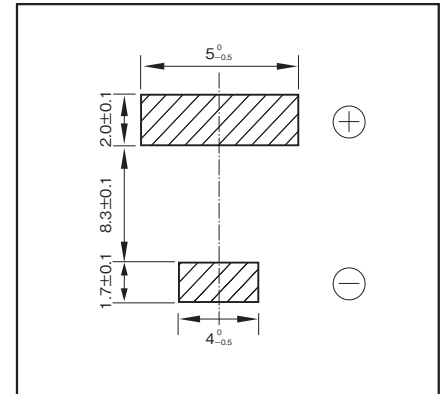
**Outline Drawing**

Unit : mm



**Recommended land pattern size**

Unit : mm



\*Please consult with us about other terminal form.

| Part numbering system ( 2.5V0.2F, terminal shaped:H2 ) |                               |                          |                   |                 |        |        |
|--|-------------------------------|--------------------------|-------------------|-----------------|--------|--------|
| DS   | —                             | 2R5                      | H                 | 204             | T614   | — H2 L |
| Series code  | Max. operating voltage symbol | Rated capacitance symbol | Additional symbol | Terminal shaped | Taping |        |

Part number is refer to below table.

| Part numbering system (example:621, 3.3V0.33F, terminal shaped:H) |                               |                          |                   |                 |        |       |
|---|-------------------------------|--------------------------|-------------------|-----------------|--------|-------|
| DSK   | —                             | 3R3                      | H                 | 334             | T      | — H L |
| Series code   | Max. operating voltage symbol | Rated capacitance symbol | Additional symbol | Terminal shaped | Taping |       |

Part number is refer to below table.

**Standard Ratings**

| Max. operating voltage (V) | Rated capacitance (F) | ELNA Parts No.      | φD×L (mm) |
|----------------------------|-----------------------|---------------------|-----------|
| 2.5                        | 0.20                  | DS-2R5H204T614-H2L  | 6.8×1.4   |
| 3.3                        | 0.20                  | DSK-3R3H204T614-H2L | 6.8×1.4   |
| 2.5                        | 0.33                  | DS-2R5H334T-HL      | 6.8×2.1   |
| 3.3                        | 0.33                  | DSK-3R3H334T-HL     | 6.8×2.1   |

\* Reflow soldering condition : 181 page.

**NOTE**

Design, Specifications are subject to change without notice. Ask factory for technical specifications before purchase and/or use.