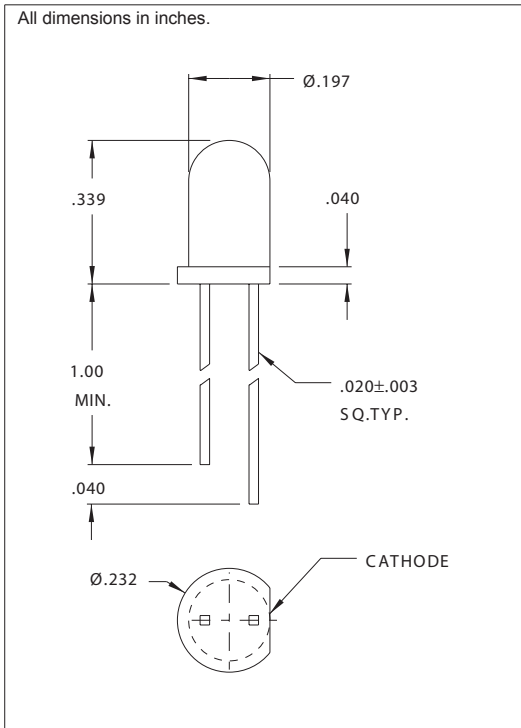


## T-1 3/4 Resistor LED Lamps

### Description and Features



These T-1 3/4 LED lamps contain an integral resistor in series with the emitter chip to allow their direct application into 5 and 12 volt circuits. No external current limiting resistor is required. These lamps allow for savings in both component and assembly cost. These LEDs are compatible with all conventional soldering techniques.

## Electro-Optical Characteristics and Ratings

PART NUMBER	CMD333ID/HV5	CMD333GD/HV5	CMD333YD/HV5	CMD333ID/HV12	CMD333GD/HV12	CMD333YD/HV12
Output Color	H.E.Red	Green	Yellow	H.E.Red	Green	Yellow
Diffusion	Diffused	Diffused	Diffused	Diffused	Diffused	Diffused
Package Color	Red	Green	Yellow	Red	Green	Yellow
Test Current (mA)	5	5	5	12	12	12
Forward Voltage Typ. (V)	10.0	10.0	10.0	10.0	10.0	10.0
Forward Voltage Max. (V)	15.0	15.0	15.0	20.0	20.0	20.0
Luminous Intensity Min. (mcd)	10.5	9.5	8.0	10.5	9.5	8.0
Luminous Intensity Typ. (mcd)	15.0	13.5	11.0	15.0	13.5	11.0
Luminous Intensity Max. (mcd)	-	-	-	-	-	-
Peak Wavelength (nm)	635	565	585	635	565	585
Viewing Angle 2θ 1/2 (degrees)	35	35	35	35	35	35
Power Dissipation (mW)	-	-	-	-	-	-
Operating Temperature (°C)	-40 to +85	-40 to +85	-40 to +85	-40 to +85	-40 to +85	-40 to +85
Storage Temperature (°C)	-40 to +85	-40 to +85	-40 to +85	-40 to +85	-40 to +85	-40 to +85
D.C. Forward Voltage (V)	7.5	7.5	7.5	15.0	15.0	15.0
Reverse Voltage (IR=100µA) (V)	5	5	5	5	5	5
Lead Solder Time @ 260°C	5	5	5	5	5	5