

# ARINC 404A Trays



ARINC 404A Trays

## INTRODUCTION

All ARINC 404A Trays are designed and fabricated in our state-of-the-art manufacturing facility using top quality aircraft grade materials to meet or exceed ARINC 404A specifications, as well as all civil and military aircraft application criteria. Our special designs stand up to the most rigorous environmental hazards for in-flight and on-the-ground operations. Each tray is fully warranted, ensuring that your avionics systems equipment will not only fit securely, but operate safely. Off-the-shelf designs or custom solutions are available to best fit your requirements as well as the option of metering plates to accommodate aircraft forced air cooling systems.

## APPLICATIONS

- » ARINC 404A Standards
- » CFR Title 14 Part 25, 23 and 21
- » RTCA/DO-160D
- » Mil-Std-810

## FEATURES

- » Durable, rugged construction
- » Light-weight aluminum alloy
- » 24 hour AOG support
- » Fan-cooled trays available conforming to Type A maximum cooling specifications per ARINC 404A. Cooling fans can be ordered with AC or DC power supply
- » Available with air filtration solutions
- » Clear Chem Film per Mil-DTL-5541, Type II, Class 3
- » Materials meet flammability, optical smoke density and toxic gas generation requirements
- » RoHS compliant in standard configurations

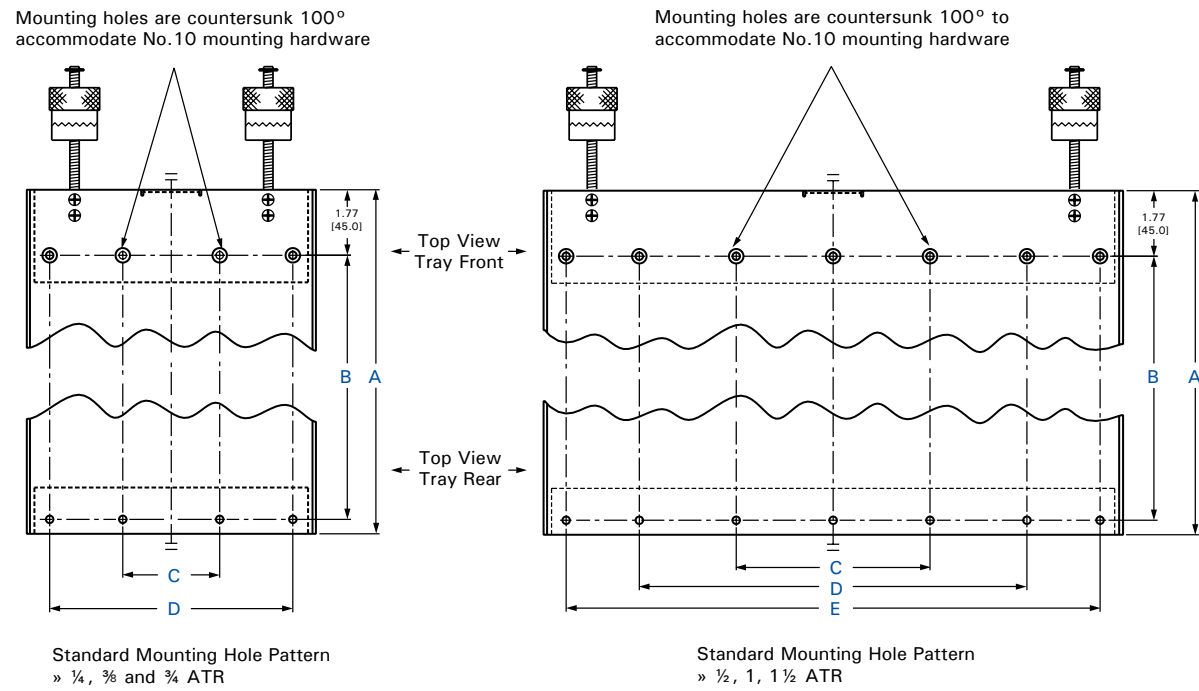
## SERVICES

- » Shock and Vibration testing
- » Crash Safety testing
- » Structural Analysis
- » Finite Element Analysis
- » Flammability testing
- » Environmental testing
- » Air-flow and cooling analysis and testing

# ARINC 404A Trays

## MOUNTING PATTERNS

The following cut away diagrams illustrate Front and Rear Mounting Hole placement for ARINC 404A trays. No. 10 Mounting holes are standard on all trays. No. 8 mounting holes are available as an option.  
 Note: Dimensions are in inches, bracketed [numbers] represent millimeters.



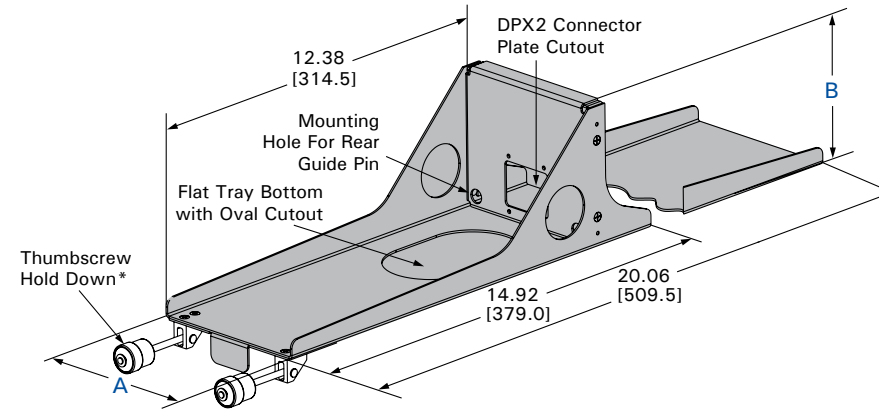
## MOUNTING DIMENSIONS: REFERENCE CHART

ATR Size	A	B	C	D	E
1/4	14.92 [379.0]	12.76 [324.1]	1.312 [33.3]	-	-
1/4	20.06 [509.5]	18.00 [457.2]	1.312 [33.3]	-	-
3/8	14.92 [379.0]	12.76 [324.1]	2.624 [66.6]	-	-
3/8	20.06 [509.5]	18.00 [457.2]	2.624 [66.6]	-	-
1/2	14.92 [379.0]	12.76 [324.1]	3.936 [100.0]	-	-
1/2	20.06 [509.5]	18.00 [457.2]	3.936 [100.0]	-	-
3/4	14.92 [379.0]	12.76 [324.1]	2.624 [66.6]	6.560 [166.6]	-
3/4	20.06 [509.5]	18.00 [457.2]	2.624 [66.6]	6.560 [166.6]	-
1	14.92 [379.0]	12.76 [324.1]	5.248 [133.3]	9.184 [233.3]	-
1	20.06 [509.5]	18.00 [457.2]	5.248 [133.3]	9.184 [233.3]	-
1 1/2	14.92 [379.0]	12.76 [324.1]	5.248 [133.3]	10.496 [266.6]	14.432 [366.6]
1 1/2	20.06 [509.5]	18.00 [457.2]	5.248 [133.3]	10.496 [266.6]	14.432 [366.6]

## DIMENSIONAL DATA

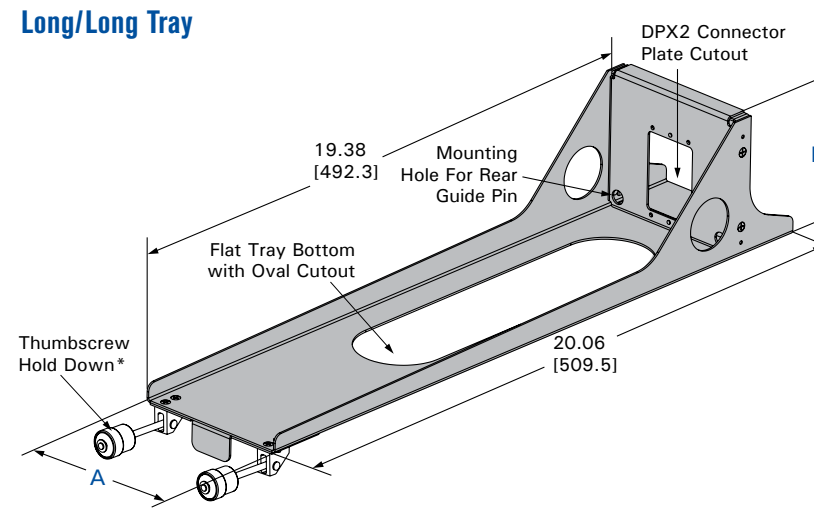
Note: Dimensions are in inches, bracketed [numbers] represent millimeters.

### Short/Short and Short/Long Trays

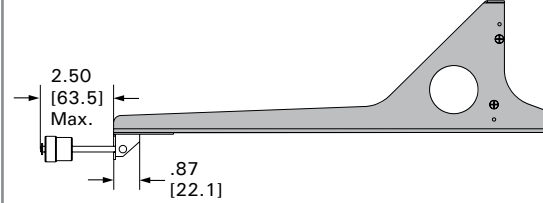


ATR Size	A (Outside Dimensions)	B
1/4	2.51 [63.8]	See Connector Plate B Dimensions on next page
3/8	3.81 [96.8]	
1/2	5.13 [130.3]	
3/4	7.73 [196.3]	
1	10.38 [263.7]	
1 1/2	15.63 [397.0]	

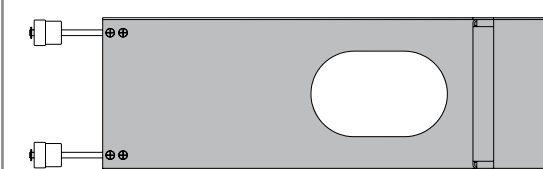
### Long/Long Tray



### Typical Side View

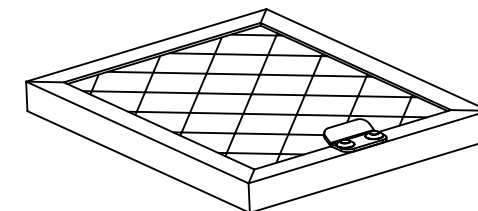


### Typical Top View

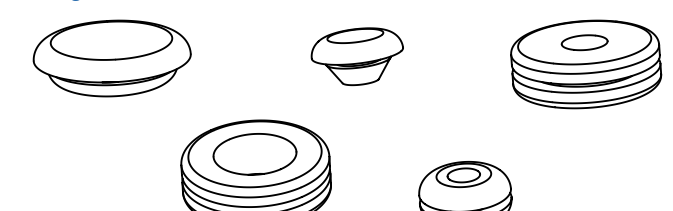


## ACCESSORIES

### Flat Filter



### Plugs and Grommets

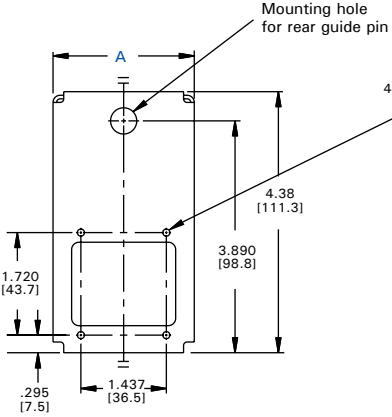


\*Thumbscrew Hold Down options include: Insertion/Extraction, Advanced Thumbscrew and Military Style Thumbscrew.

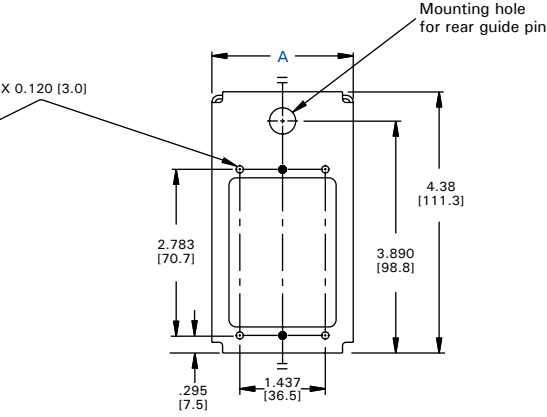
All dimensions shown represent CarlisleIT's Standard tray dimensions and frequently requested options. CarlisleIT can customize any of these features to suit your specific needs.

## CONNECTOR PLATES

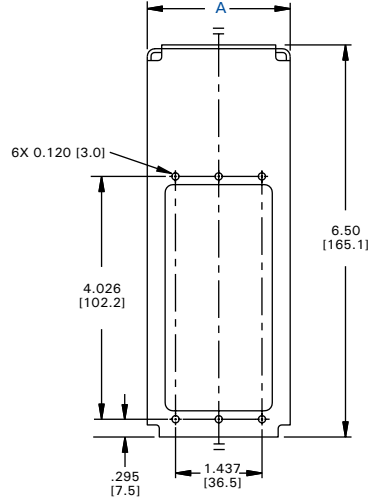
For additional size information, special connector plate requirements or dual connector plate designs (see example at bottom right), complete the Custom Tray Worksheet located online at [www.CarlisleIT.com](http://www.CarlisleIT.com).



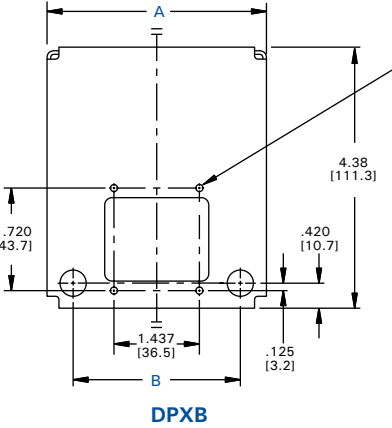
**DPXB (1/4 ATR Only)**



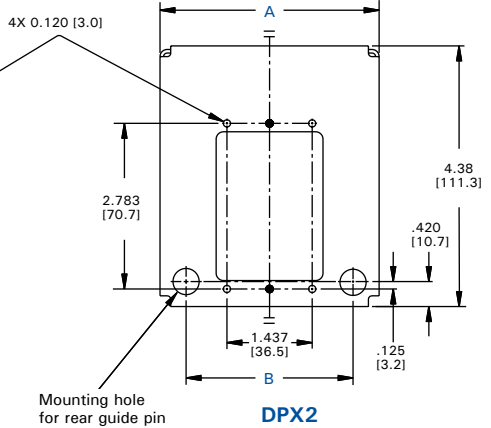
**DPX2 (1/4 ATR Only)**



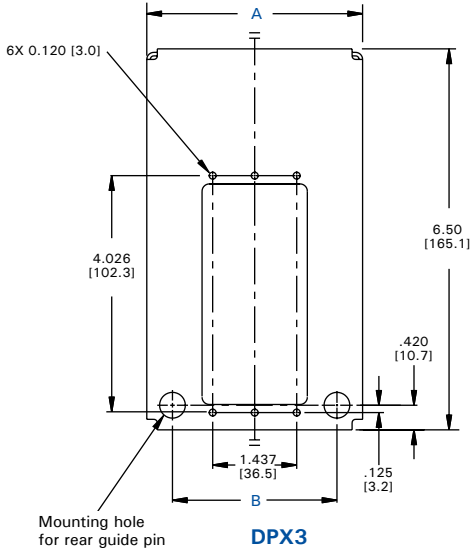
**DPX3 (1/4 ATR Only)**



**DPXB**



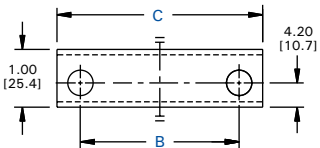
**DPX2**



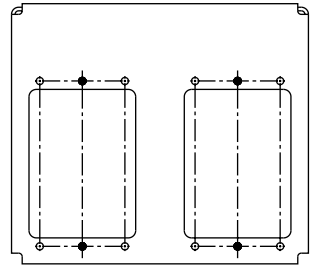
**DPX3**

Connector Plate Dimensions			
ATR	A	B	C
1/4	2.390 [60.7]	---	---
3/8	3.690 [93.7]	2.810 [71.4]	3.570 [90.7]
1/2	5.010 [127.3]	4.120 [104.6]	4.890 [124.2]
3/4	7.630 [193.8]	6.750 [171.5]	7.47 [189.7]
1	10.260 [260.6]	9.380 [238.3]	10.130 [257.3]
1 1/2	15.510 [394.0]	14.625 [371.5]	15.380 [390.7]

Note: Dimensions are in inches, bracketed [numbers] represent millimeters. Add 0.12 [3.0] to B dimension to determine overall tray height.



**Back Plate for rear guide pins (no connector)**



**Example of a DPX2 Dual Connector Plate**